

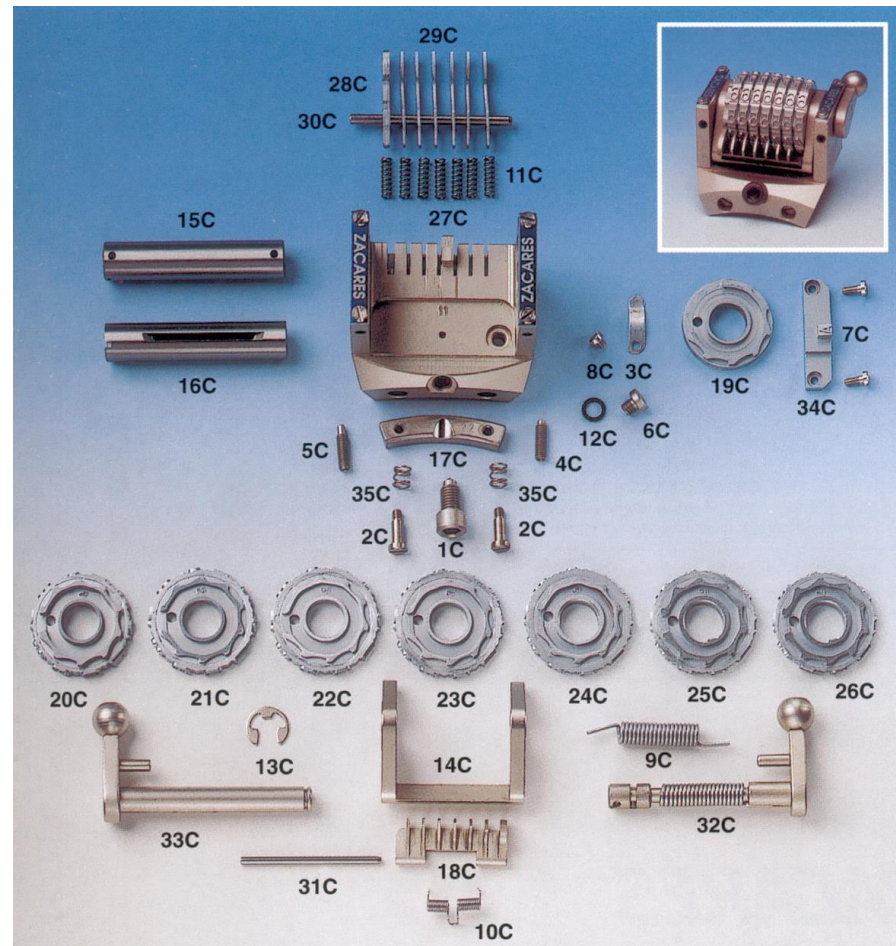
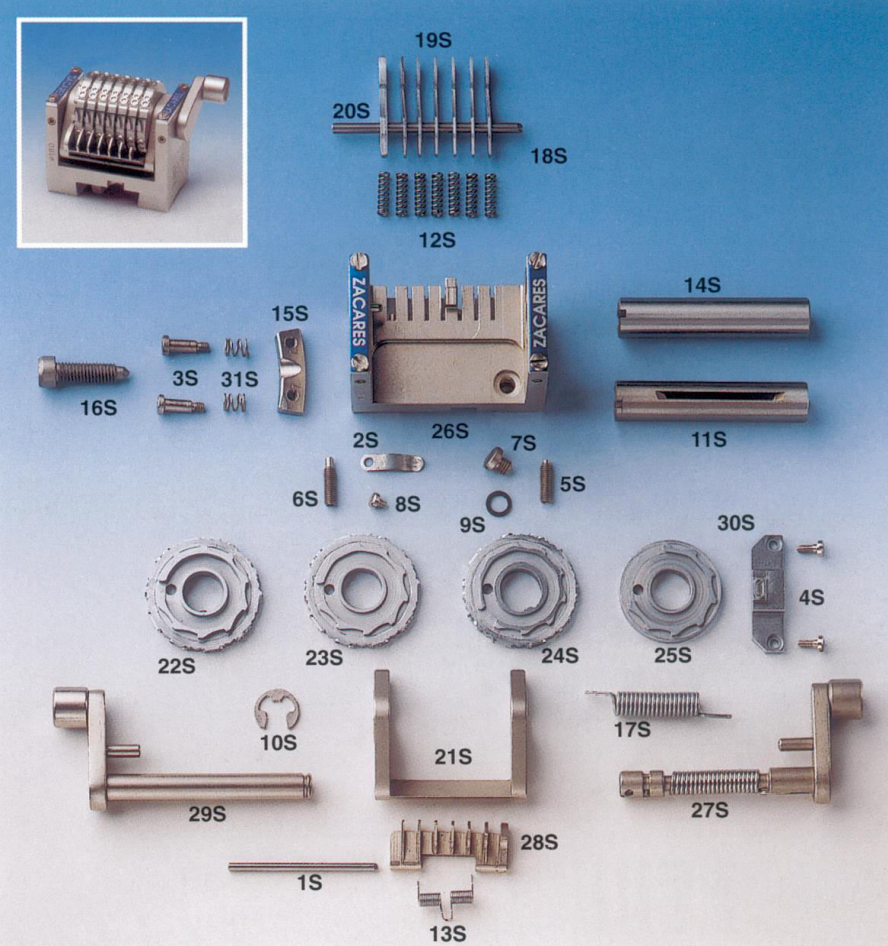
STANDARD ROTARY NUMBERING HEADS, STRAIGHT AND CONVEX



MOD. CS-7

Standard straight numbering head, curved base, 7 wheels, 3/16" (engraving code 0002).

- 1S Actuating pawl pin.
- 2S Base locating spring.
- 3S Gib holding screw.
- 4S Bridge plate screw.
- 5S Tube shaft set screw.
- 6S Tube shaft set screw for spring return.
- 7S Swing screw.
- 8S Base locating screw.
- 9S Swing retaining spacer.
- 10S E-ring.
- 11S Drop wheel central shaft.
- 12S Retaining pawl spring.
- 13S Actuating pawl spring.
- 14S Central shaft.
- 15S Gib.
- 16S Gib locking screw.
- 17S Return spring.
- 18S Retaining pawl pin.
- 19S Tens retaining pawl.
- 20S Unit retaining pawl.
- 21S Swing.
- 22S Unit wheel.
- 23S Tens wheel.
- 24S Drop tens wheel.
- 25S Spacer wheel.
- 26S Curved base frame.
- 27S Spring return operating arm.
- 28S Actuating pawl.
- 29S Operating arm.
- 30S Bridge plate engraved.
- 31S Gib spring.



MOD. CC-7

Standard convex numbering head, curved base, 7 wheels, 3/16" (engraving code 0002).

- 1C Gib locking screw.
- 2C Gib holding screw.
- 3C Base locating spring.
- 4C Tube shaft set screw.
- 5C Tube shaft set screw for spring return.
- 6C Swing screw.
- 7C Bridge plate screw.
- 8C Base locating screw.
- 9C Return spring.
- 10C Actuating pawl spring.
- 11C Retaining pawl spring.
- 12C Swing retaining spacer.
- 13C E-ring.
- 14C Swing.
- 15C Central shaft.
- 16C Drop wheel central shaft.
- 17C Gib.
- 18C Actuating pawl.
- 19C Spacer wheel.
- 20C Unit wheel.
- 21C Tens wheel.
- 22C Hundreds wheel.
- 23C Thousands wheel.
- 24C Ten thousands drop wheel.
- 25C Hundred thousands drop wheel.
- 26C Millions drop wheel.
- 27C Curved base frame.
- 28C Unit retaining pawl.
- 29C Tens retaining pawl.
- 30C Retaining pawl pin.
- 31C Actuating pawl pin.
- 32C Spring return operating arm.
- 33C Operating arm.
- 34C Bridge plate engraved.
- 35C Gib spring.

RINGS AND CAMS



All types of mounting rings. Sheet and business forms machines



All types of standard & special cams for all kind of machines

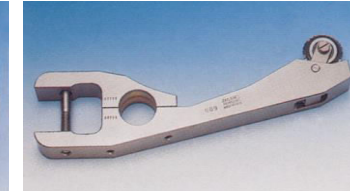
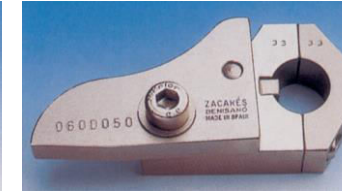


Mechanical or pneumatic cams for all kind of sheet and business forms machines

FINGER CAMS AND PERFORATING ARMS

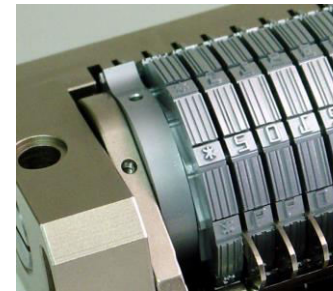


We have the sheet fed finger cam that you need for your machine! Please, ask us for the model of your machine

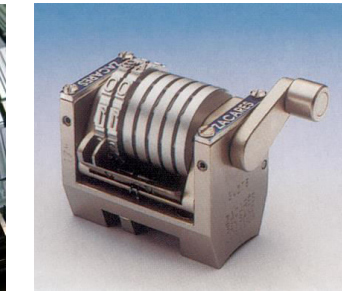


Most popular perforating arms like GTO, SM, Practika, Hamada...

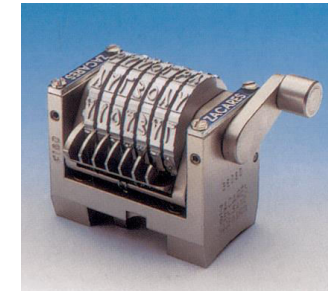
SPECIAL NUMBERING BOXES



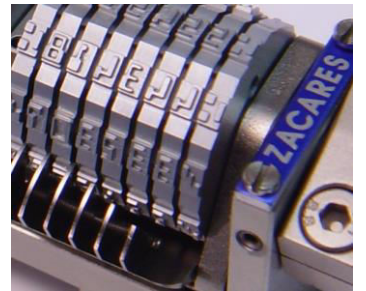
Barcode numbering boxes with or without pre-inking and check digit are within our standard production



Auto-combination 1 to 50, 1 to 100, 16 to 01, 15 to 1, etc. etc. Automatic ticket's books!



We develop and manufacture all kind of fonts like Arabic, Farsi, Bangla, Hindi, Cyrillic, etc. etc.

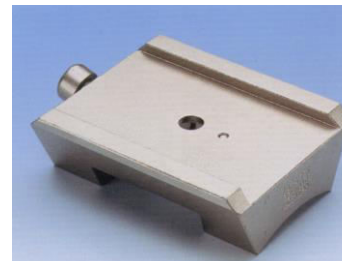


Numbering MICR E13B cheques? We are your supplier too! As well as OCR typefaces

OTHER PRODUCTS



Flat base numbering boxes, for any font and quantity of digits



Standard & special adapters for your applications. We have the solution for all your requirements



Strike in blocks and cylinders for second color printing by polymer



One of the best numbering ink of the market! Red, black and other colors as well as MICR ink



High efficiency mounting tool including pin punches and shaft ejector



Torque wrench set up at our factory with the correct pressure for gib locking screw. Avoid problems!



Special oil, free of resins




Special cleaner. Long life for numbering boxes!



Ultrasonic cleaning systems. Different sizes according to your needs!



SOME STANDARD TYPE FACES

CODE	SAMPLE	HEIGHT	PITCH	CODE	SAMPLE	HEIGHT	PITCH
0001	0123456789	3.50	3.33	0103	0123456789	5.25	10.00
0002	0123456789	4.76	3.83	2095	0 1 2 3 4 5 6 7 8 9 Z0 On tw th fo fv SX Sn et nn	5.57	4.00
0003	0123456789	6.35	3.83	9017	0123456789	4.00	3.175
0030	0123456789	3.10	3.175	9020	0123456789	3.00	2.54
0042	0123456789	2.50	2.00				
0051	0123456789	3.00	2.54	3004	0123456789-./*	OCR B1	
0053	0123456789	3.26	3.175	3037	0123456789	FARRINGTON 7B	
0058	0123456789	4.50	3.57	4006	0123456789	CMC-7	
0062	0123456789	4.00	3.475	4019	0 1 2 3 4 5 6 7 8 9 ; : ' " " "	MICR - E13B	
0069	0123456789	4.00	3.175	5600	 * 0 1 2 3 4 5 6 7 8 9 *	CODE 39	
0075	0123456789	6.35	5.00	6010	1 2 3 4 5 6 7 8 9 .	3.50	3.83
1008	0123456789	4.76	3.83	6012	. 1 2 3 4 5 6 7 8 9	3.00	3.83
1038	0123456789	3.50	3.33	6070	. 1 2 3 4 5 6 7 8 9	4.76	3.83
2089	0123456789	5.50	4.32				

SPACE PREVENTS US FROM SHOWING ALL PRODUCTS. IF YOU DO NOT SEE WHAT YOU NEED, PLEASE CONTACT US.



NUMBERING HEADS AND DEVICES FOR GRAPHIC ARTS FACTORY

La Paz, 45 - 46181 BENISANO - Valencia (Spain). Tels: +34 96 278 0512

zacares.jorgepeiro@gmail.com - sales@zacares.com - www.zacares.com

Supplied by:

We try to make your job easier!

