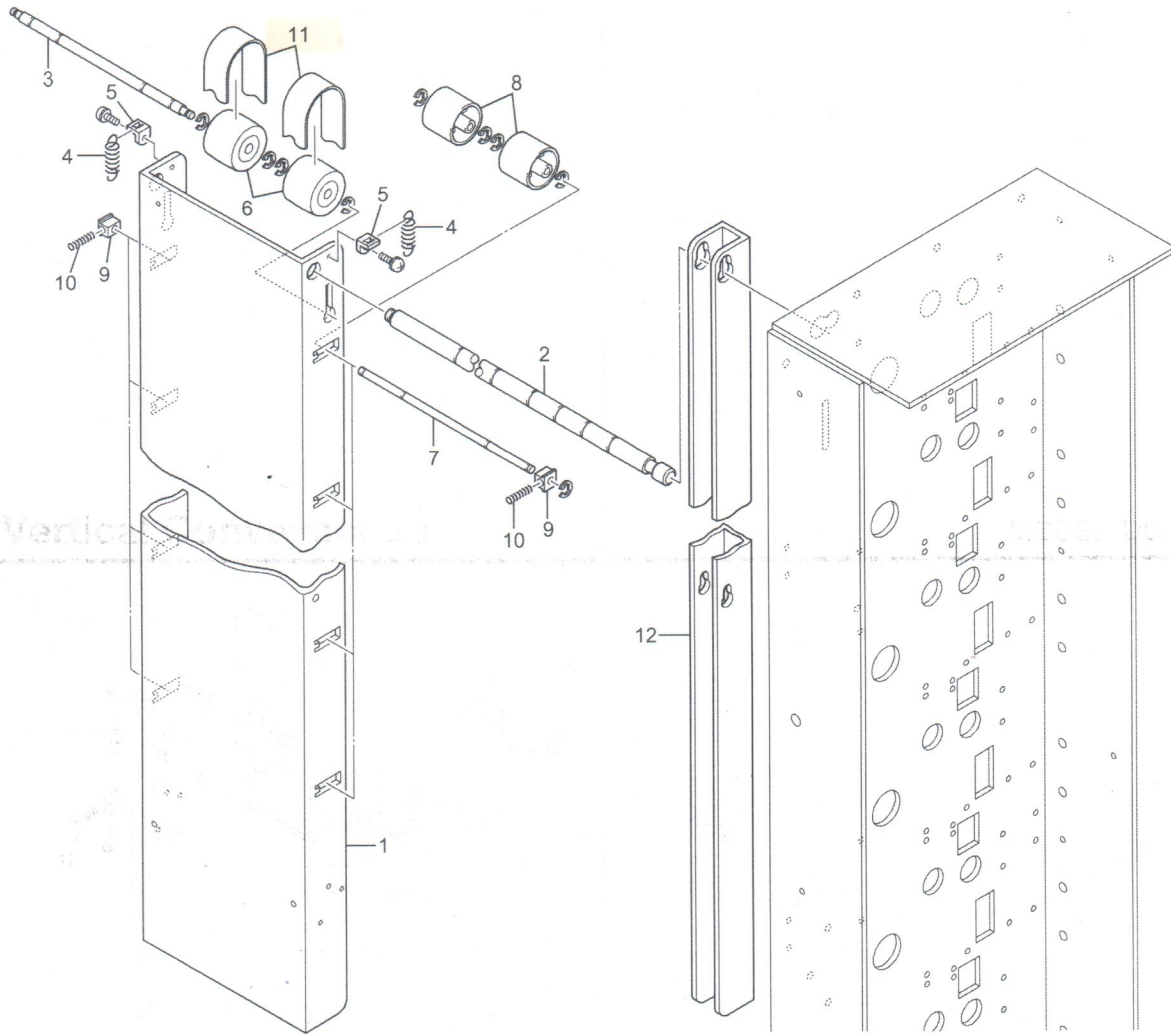


# 17. Vertical Conveyance I

MODEL DC-10/60



ITEM	PARTS No.	DESCRIPTION	Qty.	AREA
1	11A-40040	Vertical conveyance board	1	
2	96F-40060	Stay	1	
3	97K-30091	Shaft	1	
4	945-25700	Tension spring	2	
5	92L-12190	Angle	2	
6	97K-30121	Crown roller unit	2	
7	96F-40190	Shaft	9	
8	96F-40200	Plastic, Roller	18	
9	945-25310	Metal, Square bush	18	
10	11A-40220	Compression spring	18	
11	11A-40351	Belt	2	
12	11A-40550	Sub guide	1	