

Date of Installation : \_\_\_\_\_

Unit Serial Number : \_\_\_\_\_

Kompac Dealer : \_\_\_\_\_

# Kompac®



A DIVISION OF DAY INTERNATIONAL, INC.



DAY INTERNATIONAL, INC.

Image Transfer Group

**Kompac**



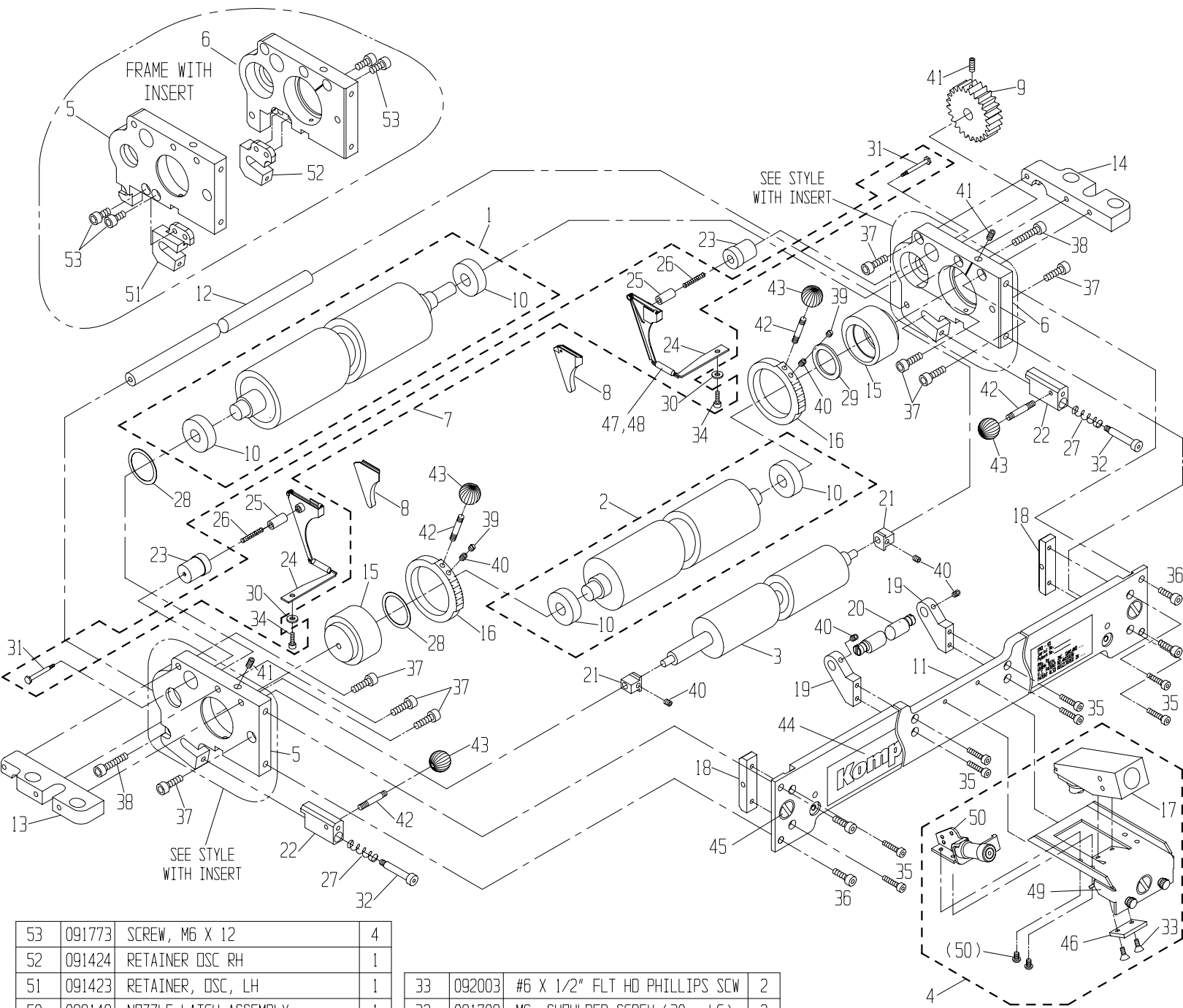
## KMO - 65

Parts Catalog # 098592

159 DWIGHT PLACE , FAIRFIELD , NEW JERSEY 07004

TEL: 973-227-8611 / 800-541-5702

FAX: 973-227-7532



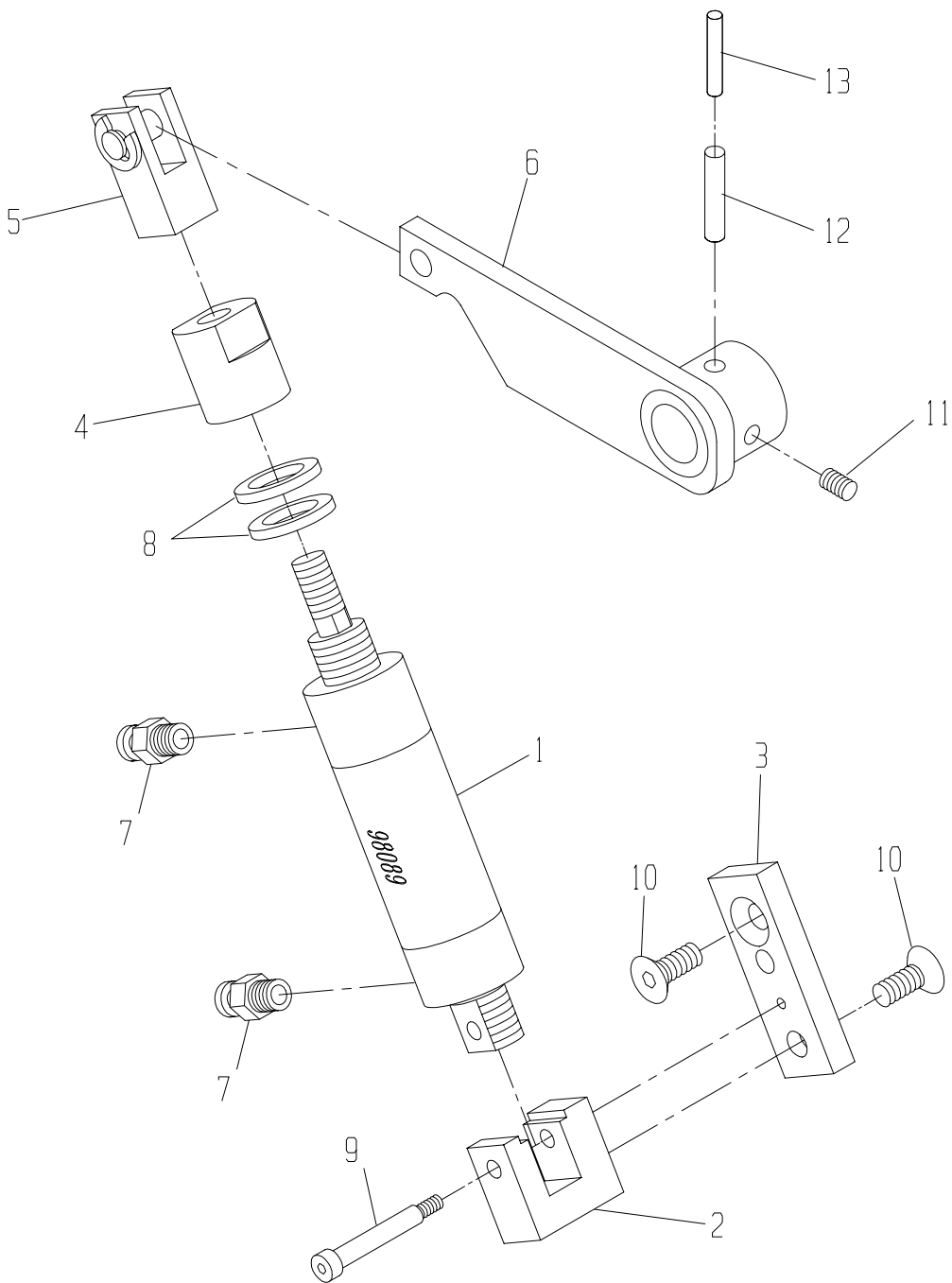
53	091773	SCREW, M6 X 12	4
52	091424	RETAINER OSC RH	1
51	091423	RETAINER, OSC, LH	1
50	098148	NOZZLE LATCH ASSEMBLY	1
49	098022	BRACKET, NOZZLE	1
48	092259	SPRING COVER	2
47	092236	TAB SPRING	2
46	098064	SPACER, NOZZLE BRACKET	1
45	092601	SAFETY STICKER (INWARD NIP)	3
44	098026	LABELS, TIE PLATE	1
43	092055	BALL KNOB (10-32)	4
42	091417	THREADED STUD, SHRT (M5/10-32)	4
41	091889	M5 x .8 x 10mm SET SCREW	3
40	091888	M5 x .8 x 5mm SET SCREW	6
39	091909	M5 x 4mm SLOTTED SET SCREW	2
38	091786	SCREW, M6 x 25mm, CAP	2
37	091761	M6 x 1 x 18mm CAP SCREW	8
36	091785	SCREW, M6 x 14mm, CAP	4
35	091891	M5 x 16mm CAP SCREW	8
34	091760	M4 x 0.7 x 10mm CAP SCREW	*
ITEM#	PART#	DESCRIPTION	QTY

33	092003	#6 X 1/2" FLT HD PHILLIPS SCW	2
32	091708	M6 SHOULDER SCREW (30mm LG)	2
31	092303	SEAL PLATE SHOULDER SCREW	*
30	091981	M4 FLAT WASHER	2
29	091784	WASHER, 1.353x.988x.078	1
28	091783	WASHER, WAVE, 35mm	2
27	092007	SPRING, COMPRESSION	2
26	092242	COMPRESSION SPRING (BKG PLATE)	*
25	092304	GUIDE PIN	*
24	091406	SPRING PLATE	*
23	091407	BACKING PLATE STANDOFF	2
22	095697	CLAMP, OSCILLATOR	2
21	092174	METRIC ALIGNMENT BLOCK	2
20	098007	ECCENTRIC, BRKT, NOZZLE, UNIT	1
19	098008	ECCENTRIC BRACKET, NOZZLE BKT	2
18	098009	BLOCK, ADJUSTMENT, TIE PLATE	2
17	092700	NOZZLE ASSEMBLY	1
16	098025	GAUGE, METERING, 35mm BEARING	2
ITEM#	PART#	DESCRIPTION	QTY

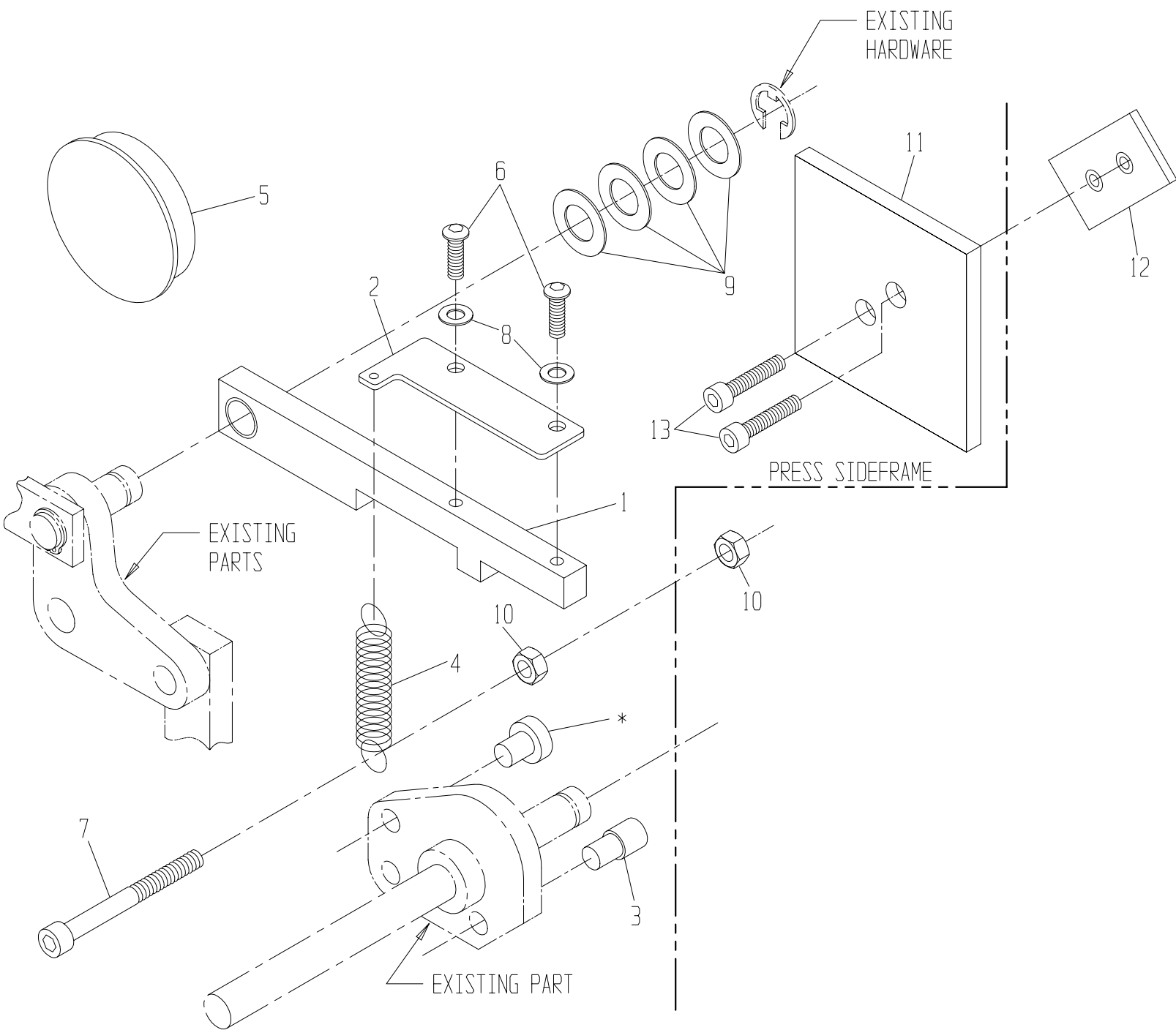
15	098024	ECCENTRIC, M/R, 35mm BEARING	2
14	098005	BRACKET, ATTACHMENT, UNIT, RH	1
13	098006	BRACKET, ATTACHMENT, UNIT, LH	1
12	098004	TIE ROD, UNIT	1
11	098003	TIE PLATE	1
10	092083	BEARING, 15x35x11mm (6202)	*
9	098023	GEAR, UNIT	1
8	090850	R.H. & L.H. SEAL SET	1
7	091450	SEAL BACKING PLATE KIT (L & R)	1
6	098001	SIDEFRAME, UNIT, R.H.	1
5	098002	SIDEFRAME, UNIT, L.H.	1
4	098650	ASSY, NOZZLE BRACKET	1
3	098155	OSCILLATOR, 65cm	1
2	098186	ASSY, METERING ROLLER 65/C	1
1	098630	ASSY, FORM ROLLER	1
ITEM#	PART#	DESCRIPTION	QTY

\* PART IS INCLUDED WITH OUTLINED SUBASSEMBLY.

\*\* ITEMS 3, 4, AND 21 NOT INCLUDED WITH THIS P/N

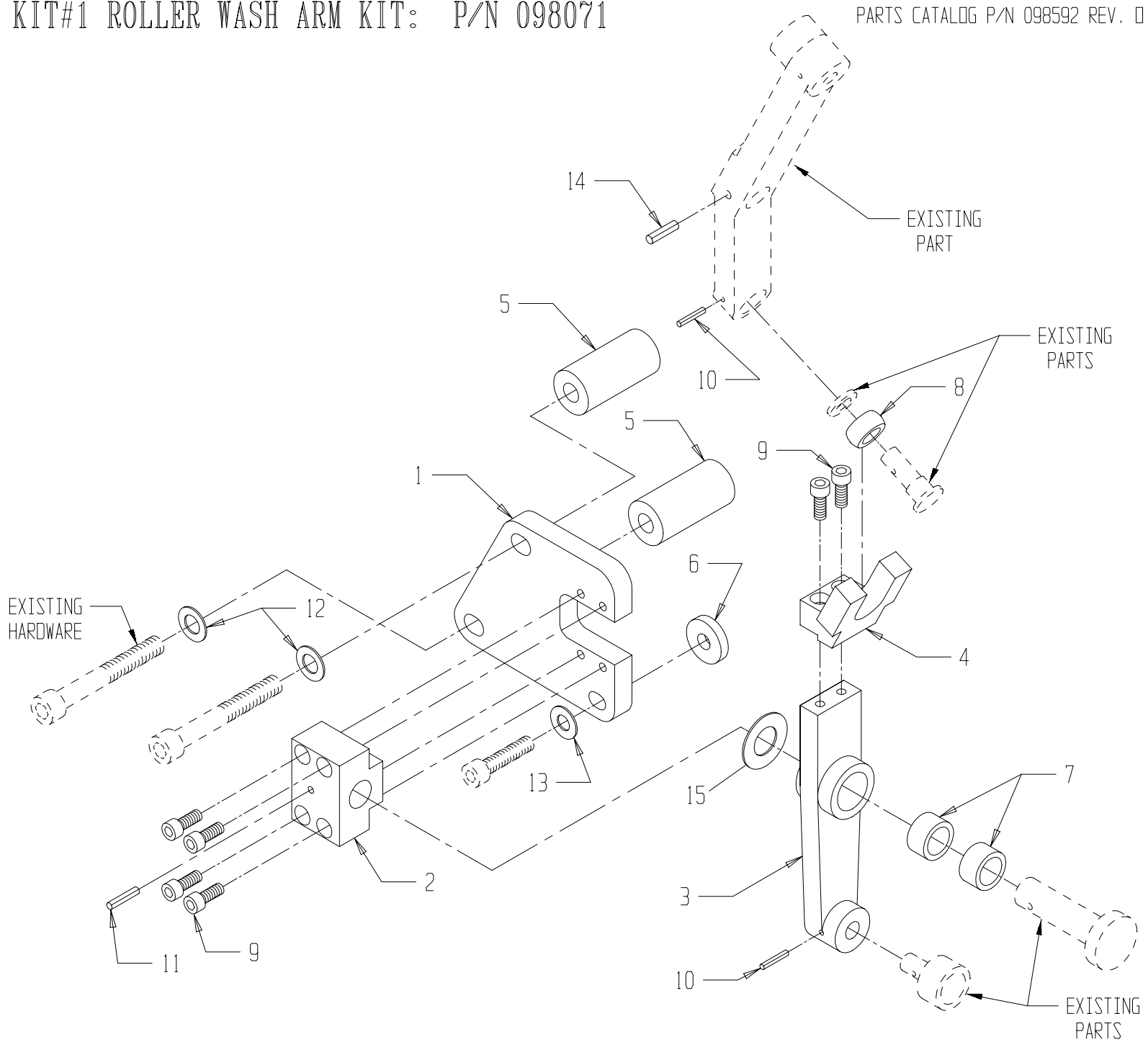


13	092005	PIN, ROLL, 3.5mm X 36mm	1
12	092004	PIN, ROLL, 6mm X 36mm	1
11	091889	M5x10mm SOCKET HEAD SET SCREW	1
10	091748	M8x20mm SCREW FLAT HD SOC CAP	2
9	091793	1/4 x 1-1/2 SHOULDER SCREW	1
8	091737	SHIM, 3/4 x 1-1/8 x 1/8	2
7	098098	NIPPLE, 1/8" NPT TO 6mm TUBE	2
6	098087	ON/OFF ARM	1
5	098093	PISTON ROD CLEVIS	1
4	098085	CYLINDER STOP	1
3	098083	CYLINDER BASE PLATE	1
2	098084	CYLINDER BASE BLOCK	1
1	098089	AIR CYLINDER	1
ITEM	PART NO.	DESCRIPTION	QTY.



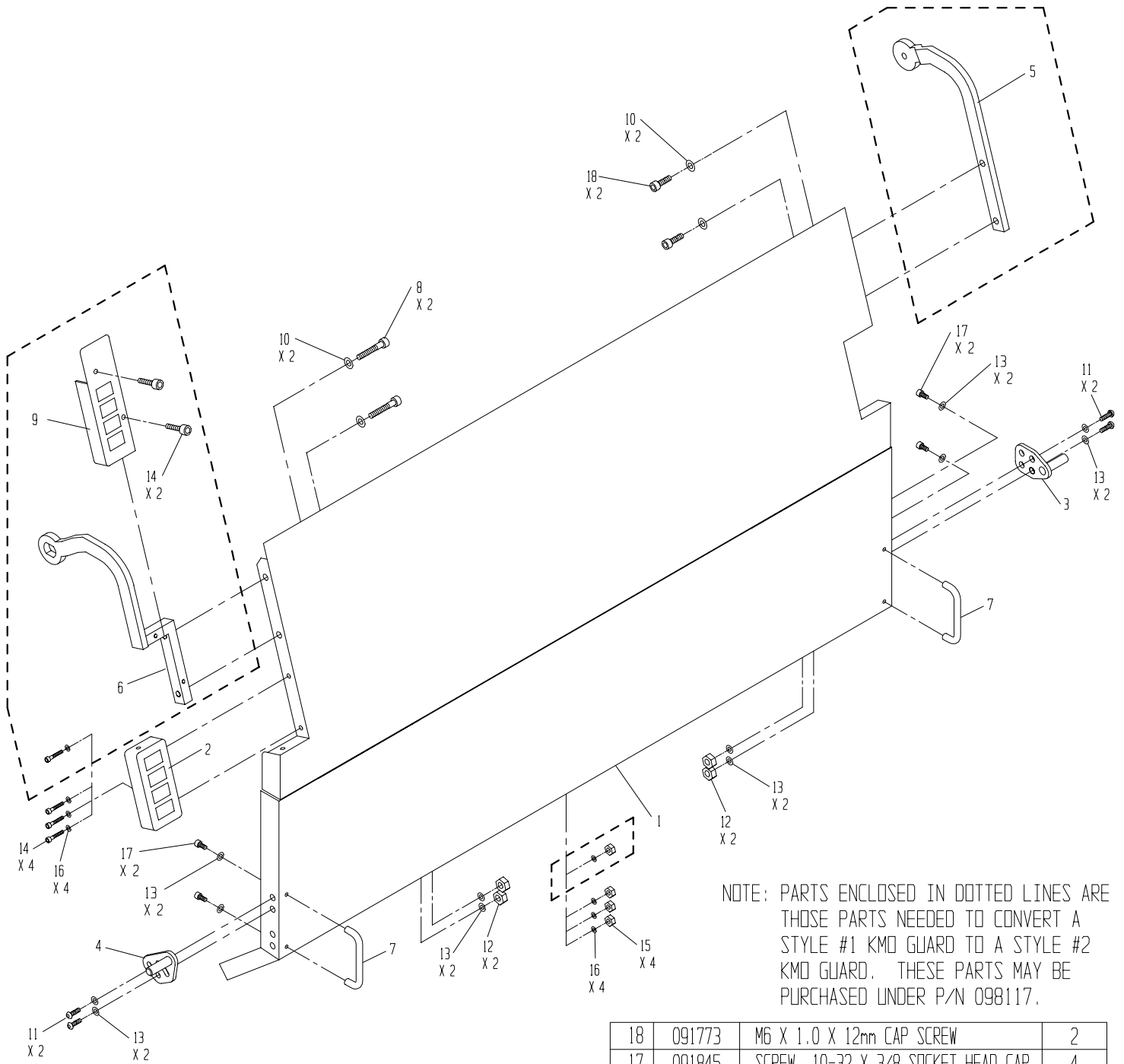
13	091789	SCREW, M5x25mm SDC HD CAP	2
12	098055	PLATE, BACKING, PLUG	1
11	098081	PLATE, BLANKING	1
10	091753	M6 HEX NUT	2
9	091966	.878 OD .478 ID SPACER WASHER	4
8	091978	M5 FLAT WASHER	2
7	091790	SCREW, M6x60mm SDC HD CAP	1
6	091765	M5X.8X12mm BUTTON HD CP SCREW	2
5	093468	BLANKING PLUG FLUSH	1
4	092078	SPRING, EXTENSION	1
3	098079	PIN, AUTO LATCH, LONG	1
2	098078	PLATE, LATCH ARM	1
1	098077	ARM, LATCH	1
ITEM	PART NO.	DESCRIPTION	QTY.

\* ITEM PROVIDED IN BRACKET KIT.



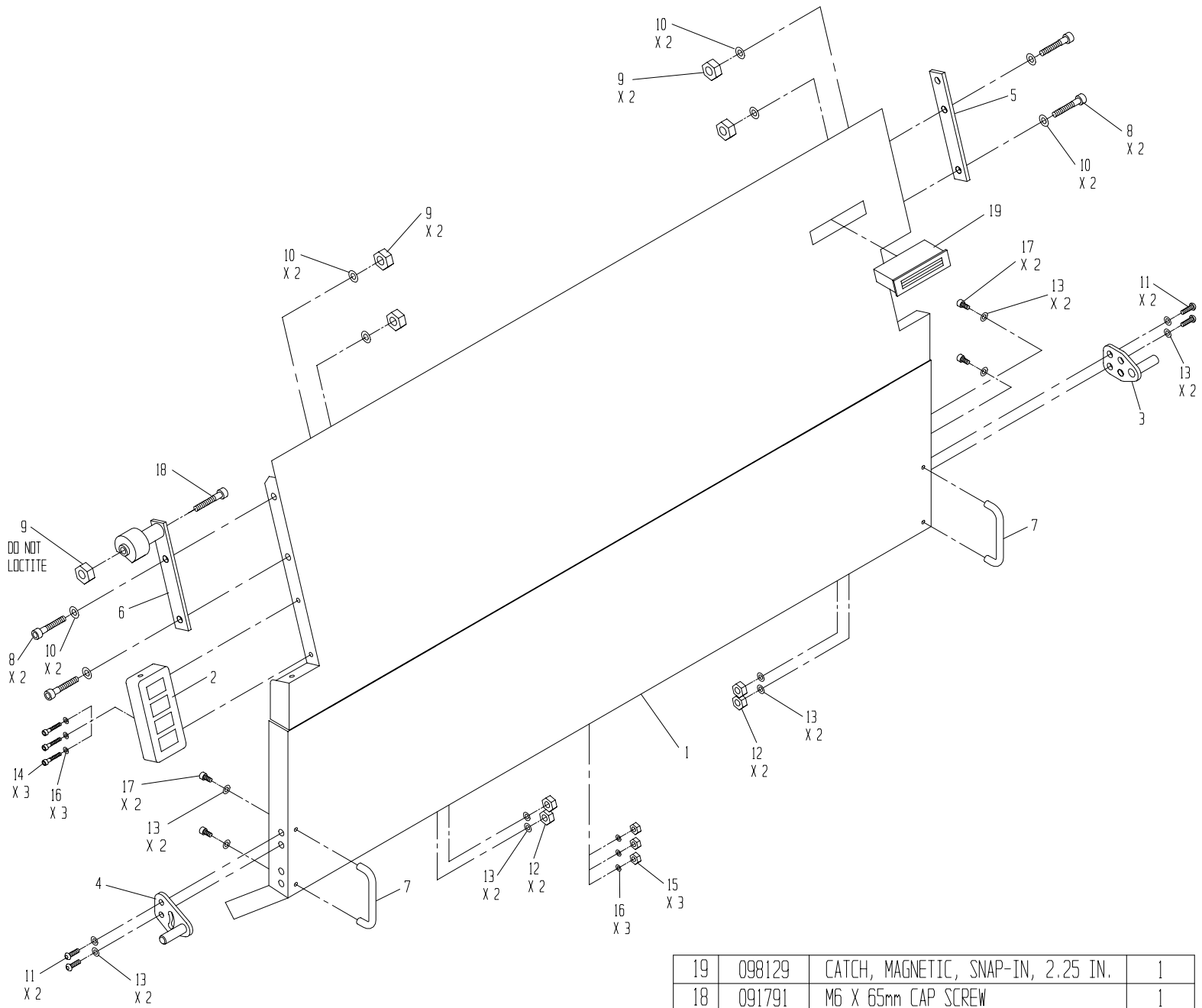
15	091728	SHIM, 1.187 X .632 X .020	1
14	091948	PIN, ROLL, 5mm X 32mm	1
13	091950	FLAT WASHER (M8)	1
12	091976	M10 FLAT WASHER	2
11	091738	PIN, ROLL, 4mm x 30mm	1
10	091938	PIN, ROLL, 3mm x 25mm	2
9	091761	M6 x 1.0 x 18mm CAP SCREW	6
8	098075	PIVOT BUSHING	1
7	098072	BRNG, NEEDLE, $\phi 16\text{mm} \times 12\text{mm}$ WIDE	2
6	098074	STANDOFF, ARM BASE, GEAR	1
5	098073	STANDOFF, ARM BASE	2
4	098076	FORK, LOWER ROCKER ARM	1
3	098067	ARM, LOWER ROCKER	1
2	098069	CARRIER, ARM	1
1	098068	BASE, ROCKER ARM	1

ITEM	PART NO.	DESCRIPTION	QTY.
------	----------	-------------	------



NOTE: PARTS ENCLOSED IN DOTTED LINES ARE THOSE PARTS NEEDED TO CONVERT A STYLE #1 KMO GUARD TO A STYLE #2 KMO GUARD. THESE PARTS MAY BE PURCHASED UNDER P/N 098117.

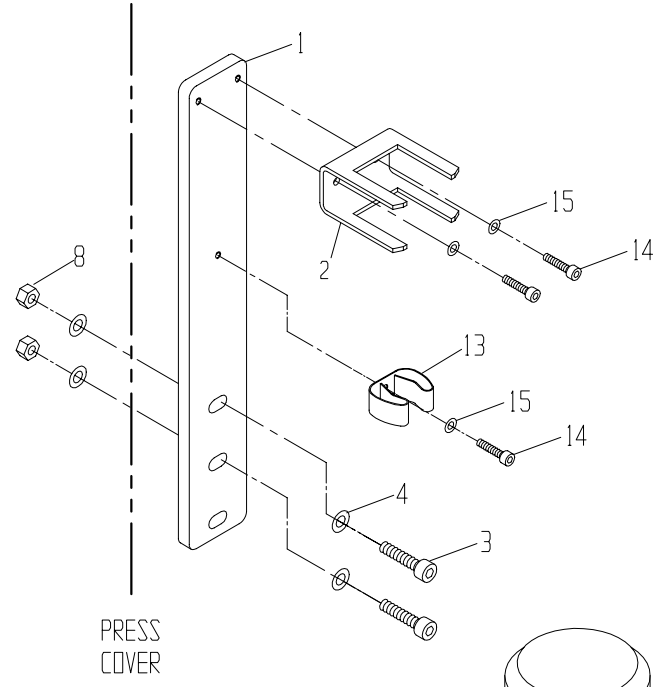
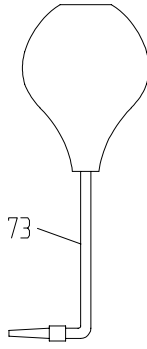
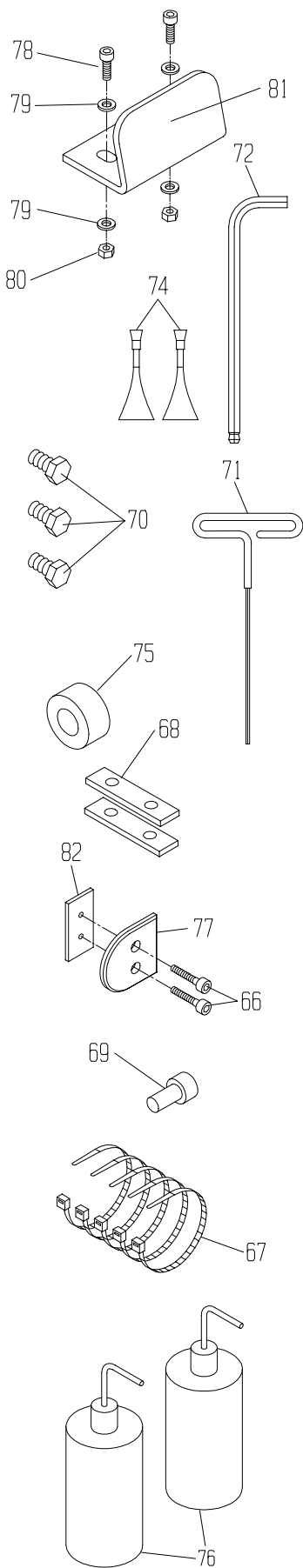
18	091773	M6 X 1.0 X 12mm CAP SCREW	2
17	091845	SCREW, 10-32 X 3/8 SOCKET HEAD CAP	4
16	091981	M4 FLAT WASHER	8
15	091936	M4 HEX NUT, FULL	4
14	091760	M4 X .7 X 10mm CAP SCREW	6
13	091978	M5 FLAT WASHER	12
12	091752	M5 X .8 HEX NUT	4
11	091765	M5 X .8 X 12mm BUTTON HD CP SCREW	4
10	091743	WASHER, SMALL D.D., M6	4
9	098106	COVER, STYLE-2	1
8	091761	M6 X 1.0 X 18mm CAP SCREW	2
7	092077	HANDLE, PULL	2
6	098105	PIVOT, STYLE-2 DP	1
5	098104	PIVOT, STYLE-2 NDP	1
4	098103	STOP, DP GUARD	1
3	098102	STOP, NDP GUARD	1
2	098097	COVER, HOSE HOLE	1
1	098048	GUARD, SAFETY, KMO	1
ITEM	PART NO.	DESCRIPTION	QTY.



19	098129	CATCH, MAGNETIC, SNAP-IN, 2.25 IN.	1
18	091791	M6 X 65mm CAP SCREW	1
17	091845	SCREW, 10-32 X 3/8 SOCKET HEAD CAP	4
16	091981	M4 FLAT WASHER	6
15	091936	M4 HEX NUT, FULL	3
14	091760	M4 X .7 X 10mm CAP SCREW	3
13	091978	M5 FLAT WASHER	12
12	091752	M5 X .8 HEX NUT	4
11	091765	M5 X .8 X 12mm BUTTON HD CP SCREW	4
10	091743	WASHER, SMALL D.D., M6	8
9	091753	M6 HEX NUT	5
8	091761	M6 X 1.0 X 18mm CAP SCREW	4
7	092077	HANDLE, PULL	2
6	098101	BAR, STYLE-1 OP PIVOT	1
5	098099	BAR, STYLE-1 NDP PIVOT	1
4	098103	STOP, OP GUARD	1
3	098102	STOP, NDP GUARD	1
2	098097	COVER, HOSE HOLE	1
1	098048	GUARD, SAFETY, KMO	1
ITEM	PART NO.	DESCRIPTION	QTY.

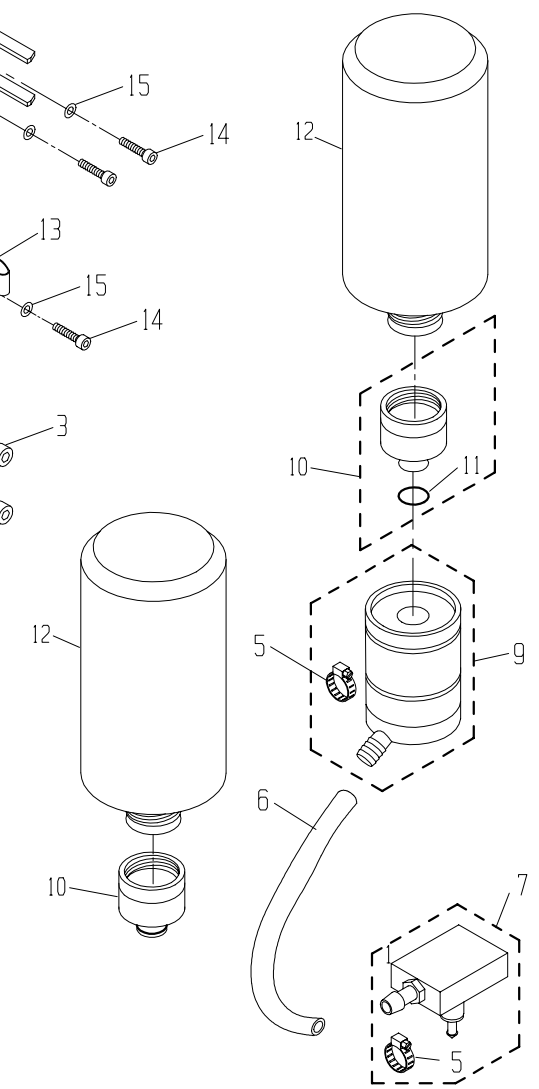
KMO BRACKET PARTS:  
P/N 098122 (CONT.)\*\*

KMO REMOTE BOTTLE  
PARTS: P/N 098118\*\*\*



PRESS COVER

92	091660	RETAINING RING, $\phi$ 1.0	*
91	091993	RETAINING RING, 15mm, EXTERNAL	1
90	091746	WASHER	*
89	098402	FORK, DRIVE GEAR, BUSHING	*
88	098164	FORK, LOCKOUT	*
87	098163	BEARING, 15 X 42 X 13, 6302	1
86	098159	UNIT BRACKET, LRG BEARING	1
85	092019	SPACER, .906 X .603 X .02	1*
84	091966	.878OD X .478 ID SPACER	1
83	098116	ASSY, LOCKOUT	^
82	098055	PLATE, BACKING, PLUG	1
81	098131	PLATE, STRIKE, KMD	1
80	091752	M5 NUT	2
79	091978	M5 FLAT WASHER	4
78	091789	SCREW, M5 X 25mm SOC HD CAP	2
77	098012	PLUG, BLANKING	1
76	092774	LONG NECK WASH-UP BOTTLE	2
75	091538	SPACER, INK DUCTOR CRANK ARM	1
74	092061	LOCTITE, 5 ml	2
73	092779	ASSY, SYRINGE, LONG NECK	1
72	090758	8mm BALL END ALLEN WRENCH	1
71	090756	2.5mm T-WRENCH	1
70	091655	M8 X 1.0 X 10mm HEX HD BOLT	3
69	098058	PIN, AUTO LATCH	1
68	098057	SPACER, LATCH	2
67	092053	NYLON CABLE TIE	5
66	091527	M5 X 30mm CAP SCREW	2
(CONTINUED FROM LAST PAGE)			
ITEM#	PART#	DESCRIPTION	QTY



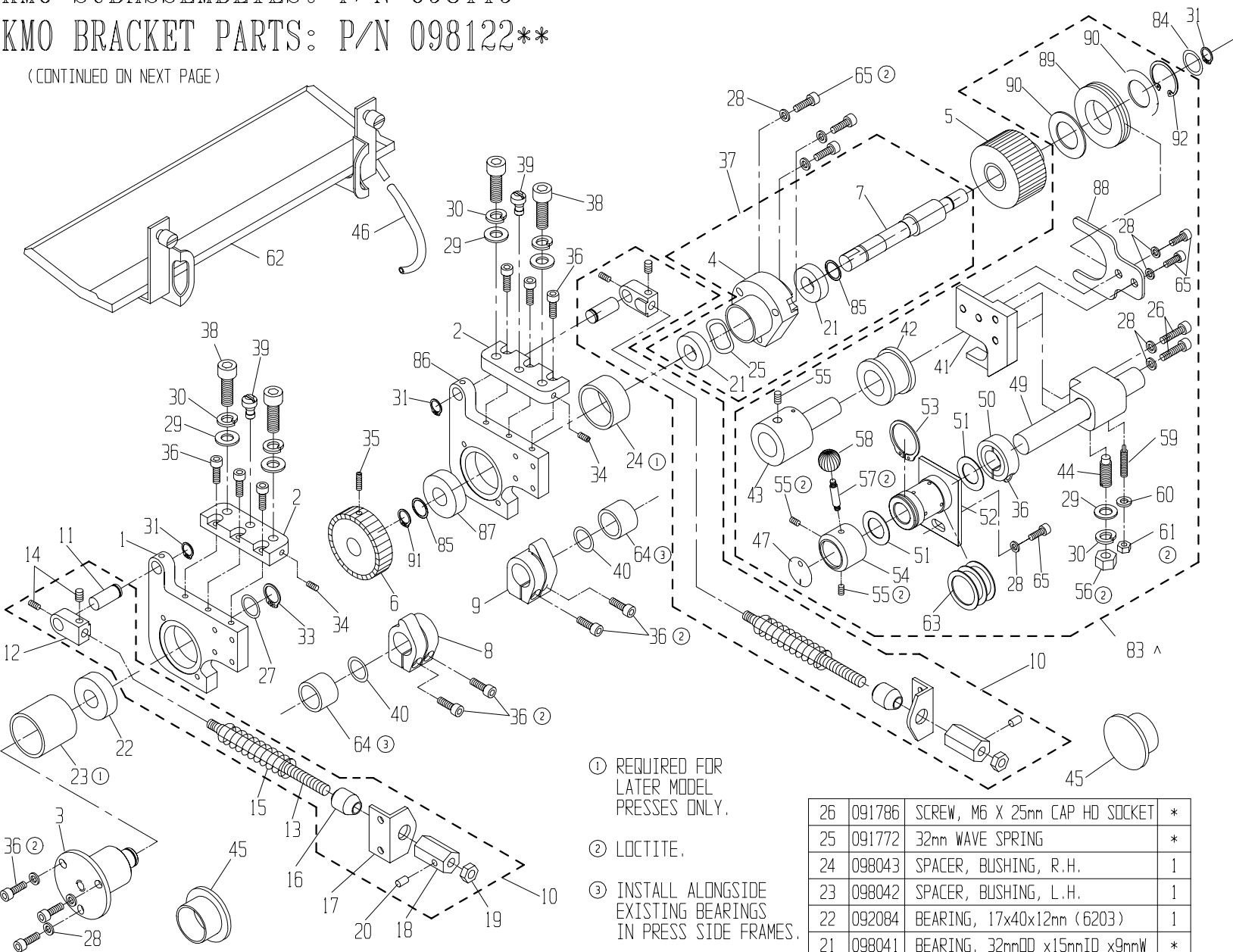
15	091978	M5 FLAT WASHER	3
14	091765	M5x.8x12mm BUTTON HD CP SCREW	3
13	091672	SPRING CLIP	1
12	092772	BOTTLE, CALIBRATED 1/2 GAL	2
11	092765	O-RING	*
10	092760	DISPENSING VALVE ASSEMBLY	2
9	092740	BOTTLE VALVE ASSEMBLY	1
8	091754	M8 NUT, SELF-LOCKING	2
7	092750	ADAPTER BASE ASSY	1
6	092756	1/2" I.D. VINYL TUBING	1
5	091911	CLAMP, ADJUSTABLE 1/4"-25/32"	*
4	091950	FLAT WASHER (M8)	4
3	091603	M8 X 45mm CAP SCREW	2
2	092749	BRACKET, BOTTLE, UNIVERSAL	1
1	098065	BRACKET, REMOTE BOTTLE	1
ITEM#	PART#	DESCRIPTION	QTY

\*\* ITEMS 62,73, & 76 NOT INCLUDED WITH THIS P/N.  
^ ITEM 83 (LOCKOUT ASSY) IS NOT PART OF BASE BRACKET KIT BUT IS AVAILABLE AS AN OPTION.

\* PART IS INCLUDED WITH OUTLINED SUBASSEMBLY.  
\*\*\* ITEMS 1,10,11&12 NOT INCLUDED WITH THIS P/N.



(CONTINUED ON NEXT PAGE)



(CONTINUED ON NEXT PAGE)

ITEM	PART#	DESCRIPTION	QTY
65	091773	M6 x 1.0 x 12mm CAP SCREW	6
64	098151	BEARING, NEEDLE, 22IDx28ODx20W	2
63	091631	SHIM, $\phi 1.495 \times \phi 1.260 \times .010$	*
62	098121	PAN, DRIP	1
61	091733	NUT, M8x1.25, HEX JAM	†
60	091950	FLAT WASHER (M8)	*
59	091899	PLUNGER, BALL, M8 x 16mm	*
58	092055	BALL KNOB	*
57	095639	STEM, LEVER	*
56	091750	NUT, M10, HEX	*
55	091700	M6 x 1.0 x 6mm SET SCREW	*
54	098115	ON/OFF HANDLE BASE	*
53	091702	RETAINING RING, 32mm, EXTERNAL	*
52	098168	COLLAR ASSY, LOCKOUT	*
51	091727	SHIM, 1.125 x .751 x .031	*
50	098109	COLLAR, $\phi .75$ I.D., M6 SCREW	*
49	098113	SHAFT, ON/OFF LOCKOUT	*
48	098111	BASE, ARM	*
47	098123	LABEL, ON/OFF	*

ITEM	PART#	DESCRIPTION	QTY
46	098011	CLEAR PLASTIC HOSE, 3/8" ID	1
45	098128	PLUG, $\phi 1-1/4$ , DOME	2
44	092006	SCREW, SET, M10, FULL DOG	*
43	098167	BASE, GUIDE, THROWOUT	*
42	098166	BUSHING, THROWOUT	*
41	098165	ARM, FORK	*
40	091729	SHIM, 1.313x.874x.020	2
39	091511	KIII ADJUSTMENT ECCENTRIC	2
38	091629	SCREW, M10x30mm SOCKET HD CAP	4
37	098660	ASSY, PIVOT BUSHING, R.H.	1
36	091761	M6 x 1.0 x 18mm CAP SCREW	13
35	091904	M5 x .8 x 16mm SET SCREW	1
34	091889	M5 x .8 x 10mm SET SCREW	2*
33	091628	RETAINING RING, 17mm, EXTERNAL	1
32	091627	RETAINING RING, 14mm, EXTERNAL	*
31	091662	$\phi 12$ mm RETAINING RING	3
30	091741	M10 SPLIT LOCK WASHER	4*
29	091976	M10 FLAT WASHER	4*
28	091743	WASHER, SMALL O.D., M6	6*
27	091626	WASHER, $\phi .871 \times \phi .673 \times .02$	1

ITEM	PART#	DESCRIPTION	QTY
26	091786	SCREW, M6 X 25mm CAP HD SOCKET	*
25	091772	32mm WAVE SPRING	*
24	098043	SPACER, BUSHING, R.H.	1
23	098042	SPACER, BUSHING, L.H.	1
22	092084	BEARING, 17x40x12mm (6203)	1
21	098041	BEARING, 32mmOD x15mmID x9mmW	*
20	091546	SET SCREW, NYLON, M4 X 6	*
19	091547	NUT, HEX JAM, 3/8-24, SPECIAL	*
18	098038	NUT, ADJUSTMENT	*
17	098037	BRACKET, SPRING, ON/OFF	*
16	098036	COLLAR, SPRING	*
15	098066	SPRING, COMPRESSION	*
14	091888	M5 X .8 X 5mm SET SCREW	*
13	098035	ROD, SPRING	*
12	098034	UNION, PIVOT	*
11	098033	DOWEL, PIVOT	*
10	098570	ASSY, ON/OFF SPRING BRACKET	2
9	098014	LEVER, ON/OFF, R.H.	1
8	098013	LEVER, ON/OFF, L.H.	1
7	098176	SHAFT, UNIT DRIVE LOCKOUT, LRG CLUT.	1
6	098172	GEAR, DRIVE, LARGE BEARING	1
5	098173	ASSY, GEAR, LOCKOUT, LRG CLUT.	1
4	098158	PIVOT BUSHING, UNIT BKT, R.H.	*
3	098027	PIVOT BUSHING, UNIT BKT, L.H.	1
2	098016	BRACKET, ATTACH FLANGE, UNIT	2
1	098015	BRACKET, UNIT	1

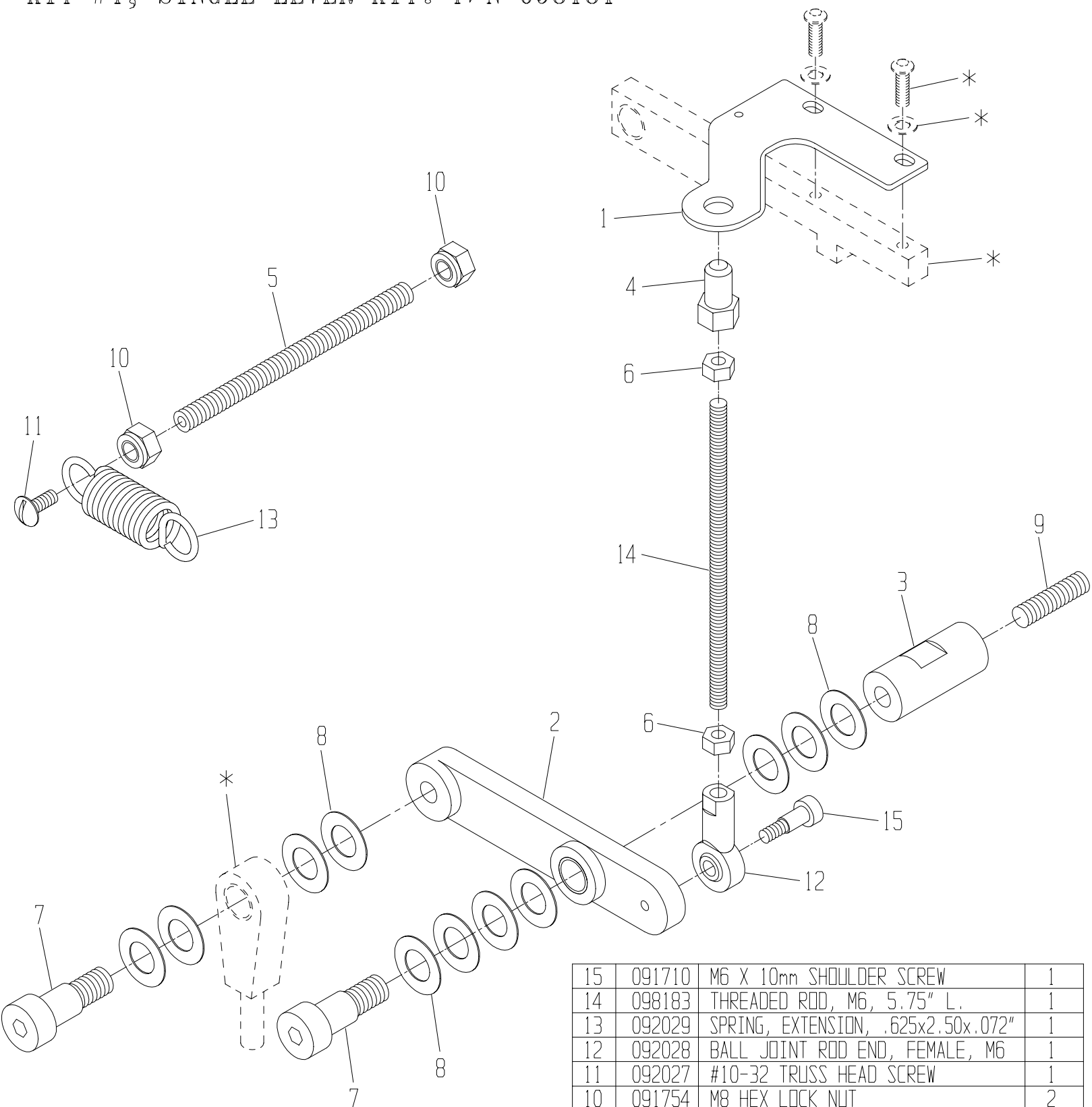
\* PART IS INCLUDED WITH OUTLINED SUBASSEMBLY.

\*\* ITEMS 62,73,& 76 NOT INCLUDED WITH THIS P/N.

† ITEM 83 (LOCKOUT ASSY) IS NOT PART OF BASE BRACKET KIT BUT IS AVAILABLE AS AN OPTION

# KIT #4, SINGLE LEVER KIT: P/N 098181

PARTS CATALOG P/N 098592 REV. 0



15	091710	M6 X 10mm SHOULDER SCREW	1
14	098183	THREADED ROD, M6, 5.75" L.	1
13	092029	SPRING, EXTENSION, .625x2.50x.072"	1
12	092028	BALL JOINT ROD END, FEMALE, M6	1
11	092027	#10-32 TRUSS HEAD SCREW	1
10	091754	M8 HEX LOCK NUT	2
9	092026	M8 X 30mm SET SCREW	1
8	091966	WASHER, .878 x .478 x .02"	11
7	091607	M12 X 16mm SHOULDER SCREW	2
6	091753	M6 HEX NUT	2
5	098182	THREADED ROD, M8, 4.33" L.	1
4	098179	PIN, GUIDE	1
3	098178	PIVOT, ARM	1
2	098177	ARM, ENGAGEMENT	1
1	098174	PLATE, GUIDE	1
ITEM	PART NO.	DESCRIPTION	QTY.

\* ITEM IS NOT INCLUDED WITH KIT #4 P/N 098181