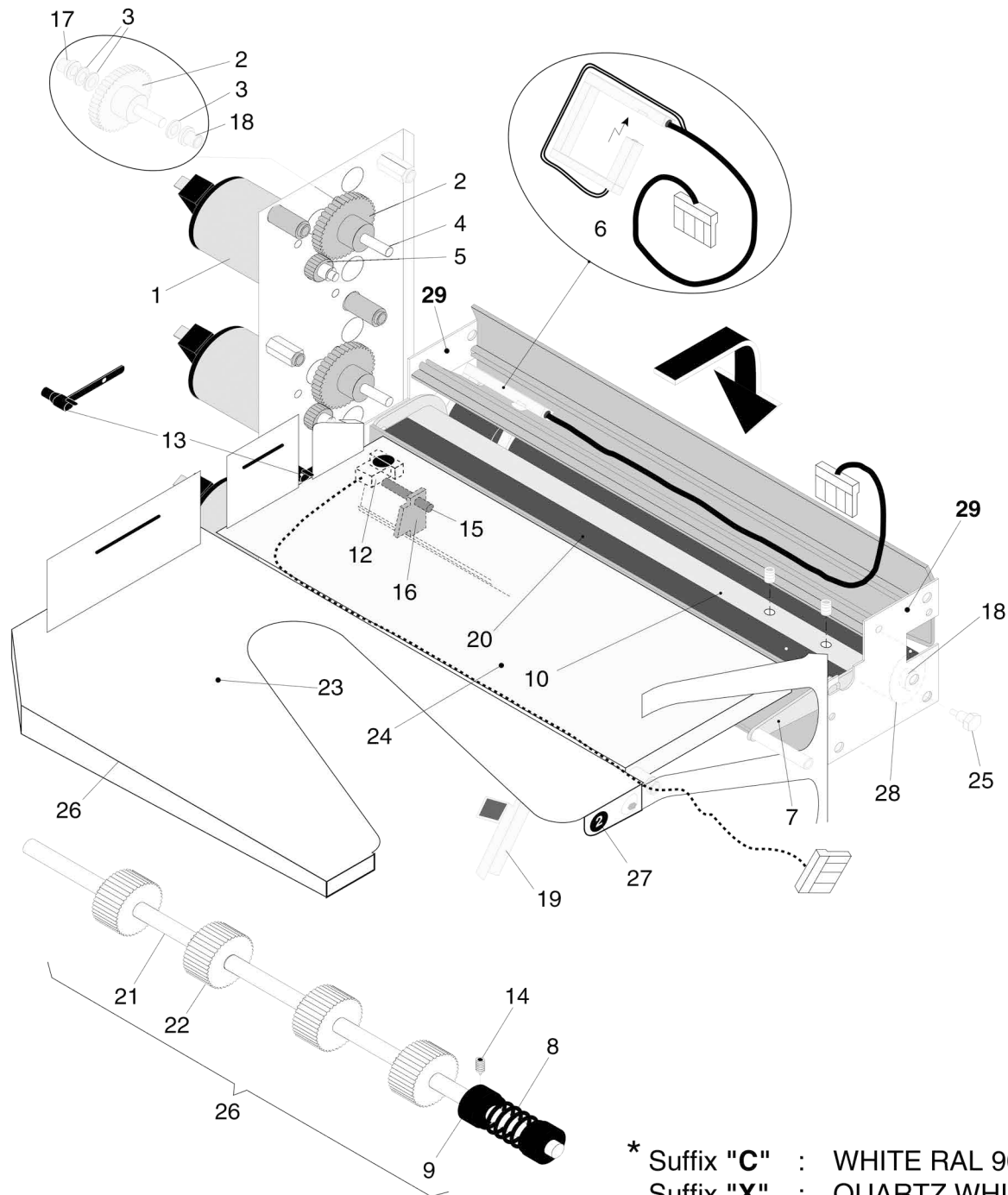


SHEET FEED MECHANISM



1	90.12.107.500	Motor
	9151125	Brush for 1
2	P 70.10.032.00	Toothed gear (glued sheet feed shaft 4 incl.)
3	9172024	Washer (play take up)
5	95.37.407.012	Reduction gear (pressed on shaft of motor #1)
	70.06.157.000	(Inside \varnothing 4 mm for BT up to 12.017 / 15.017)
		Glue: loctite block press 638
6	9431262	Flat lens
7	P 70.10.028.00	Separator assembly
8	33.11.062.000	Spring
9	70.06.050.000	Spring compression ring
10	P 70.10.024.00	Shaft (ratchet included)
12	P 70.10.508.00/1	Empty bin detector assembly
13	9260725	Air blast nozzle
14	9190560	Locking screw
15	70.06.433.000	Stud
16	70.06.434.000	Tray limit flap
17	9127047	Bushing (short)
18	9127001	Bushing (long)
19	P 70.10.026.00/2	Magnetic paper side guide
20	70.06.035.000	Green adhesive sheet separation strip
21	P 70.10.024.00	Shaft sub-assembly
22	70.06.046.000	Feed roller (white standard)
	9260148	Feed roller (blue option)
23	70.06.303.000 *	Fixed half tray
24	P 70.10.007.00	Spring loaded half tray
25	70.06.030.000	Shouldered screw (3x)
26	P 70.10.009.00	Sheet feed assembly
27	9199021	Strips numbers 1 to 5
	9199022	Strips numbers 6 to 10
	9199023	Strips numbers 11 to 15
	9199024	Strips numbers 16 to 20
	9199025	Strips numbers 21 to 25
	9199026	Strips numbers 26 to 30
	9199029	Strips numbers 31 to 35
	9199030	Strips numbers 36 to 40
	9199031	Strips numbers 41 to 45
	9199032	Strips numbers 46 to 50
	99.132.56.000	Strips numbers 47 to 56
	99.132.57.000	Strip number 57
28	71.06.039.000	Roller
29	71.06.420.000	L.H. flank assy (plate + bushing+nut)
	71.06.421.000	R.H. flank assy (plate + bushing+nut)

* Suffix "C" : WHITE RAL 9002 (Glossy)

Suffix "X" : QUARTZ WHITE (Light textured)