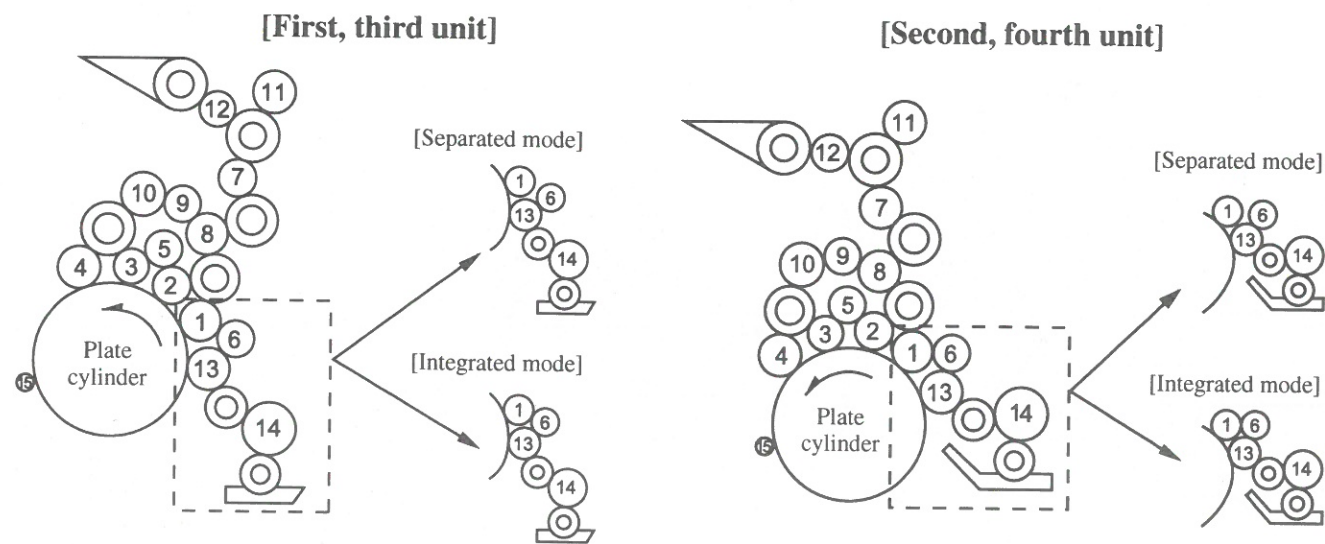


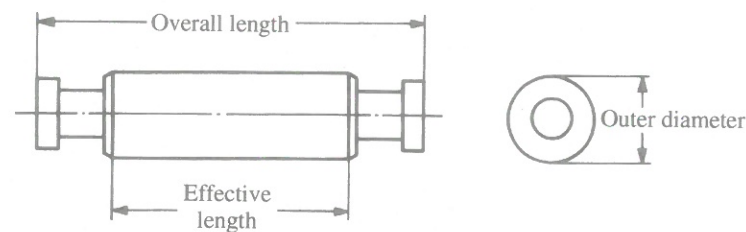
1-3 Roller Arrangement



No.	Roller name	Outer diameter mm (inch)	Effective length mm (inch)	Material (JIS rubber hardness)	Part No.
1	Ink first form roller	49 (1.929")	510 (20.08")	Rubber (30°)	6520 57 250
2	Ink second form roller	47 (1.850")	510 (20.08")	Rubber (30°)	6520 57 260
3	Ink third form roller	45 (1.772")	510 (20.08")	Rubber (30°)	5522 57 270-1
4	Ink fourth form roller	51 (2.008")	510 (20.08")	Rubber (30°)	5522 57 280-1
5	φ 46 distributor roller	46 (1.811")	508 (20.00")	Rilsan	5522 51 150-2
6	Bridge roller	45 (1.772")	512 (20.16")	Rilsan	6520 53 610
7	φ 52 distributor roller	52 (2.047")	515 (20.28")	Rubber (50°)	5522 51 130
8	φ 52 distributor roller	52 (2.047")	515 (20.28")	Rubber (50°)	5522 51 130
9	φ 46 distributor roller	46 (1.811")	515 (20.28")	Rilsan	5522 51 120-1
10	φ 52 distributor roller	52 (2.047")	515 (20.28")	Rubber (50°)	5522 51 110
11	φ 52 distributor roller	52 (2.047")	515 (20.28")	Rubber (50°)	5522 51 110
12	Ink ductor roller	45.5 (1.791")	515 (20.28")	Rubber (30°)	5522 52 270
13	Water form roller	50.5 (1.988")	511 (20.12")	Rubber (20°)	6520 53 690
14	Metering roller	63 (2.480")	548 (21.57")	Rubber (20°)	6520 53 810
15	Plate holding roller	22 (0.866")	504 (19.84")	Rubber (60°)	6532 54 835

Please be sure to consult the parts list when ordering rollers.

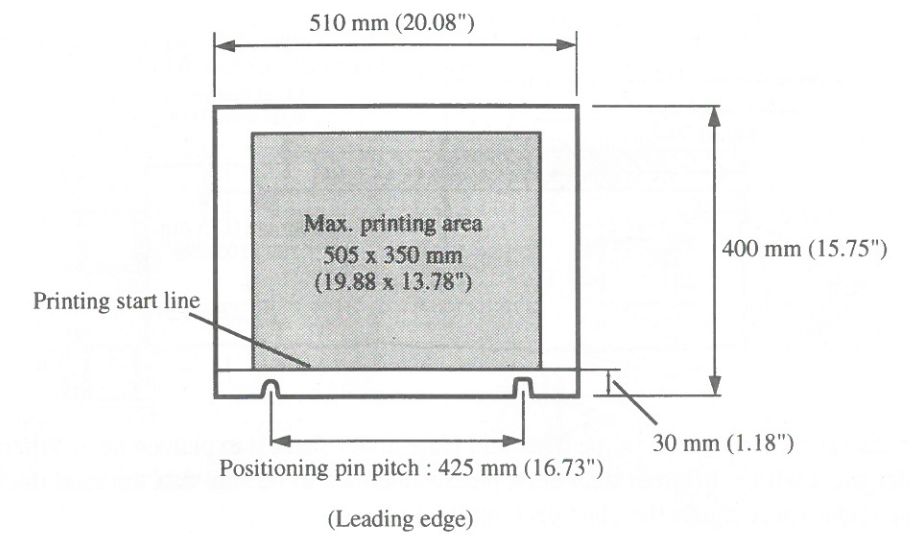
(Note) The No. 7 and No. 8 distributor rollers have the same outer diameter as the No. 10 and No. 11 distributor rollers, but the overall length is shorter than the other 2.



(Reference) The roller arrangement that connects the ink roller section and water roller section with the bridge roller is called the "Integrated mode" and the one that separates the bridge roller from the ink roller section is called the "Separated mode".

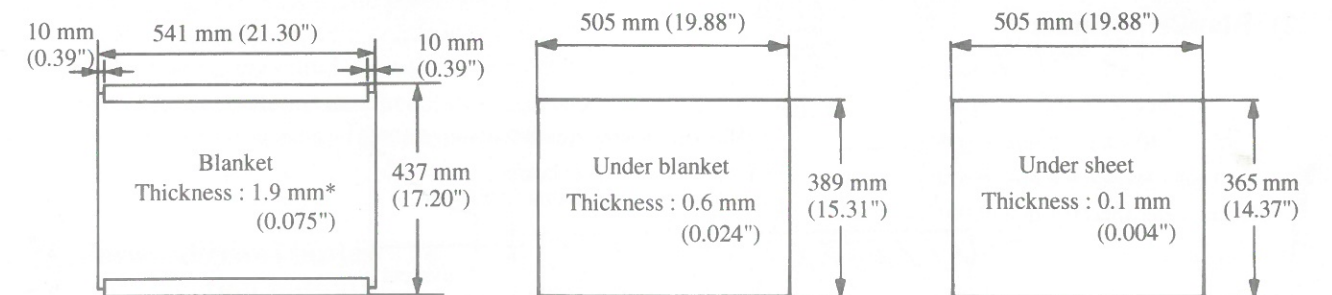
1-4 Plate and Blanket Size

1) Plate size and printing start line

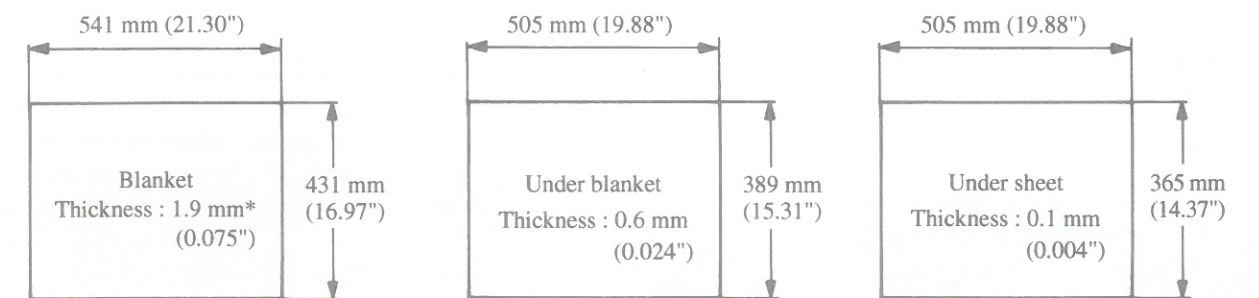


2) Blanket and under blanket size

<Blanket with aluminum bar>



<Straight edge blanket> (Option)



* : This blanket thickness shows the blanket packing thickness.