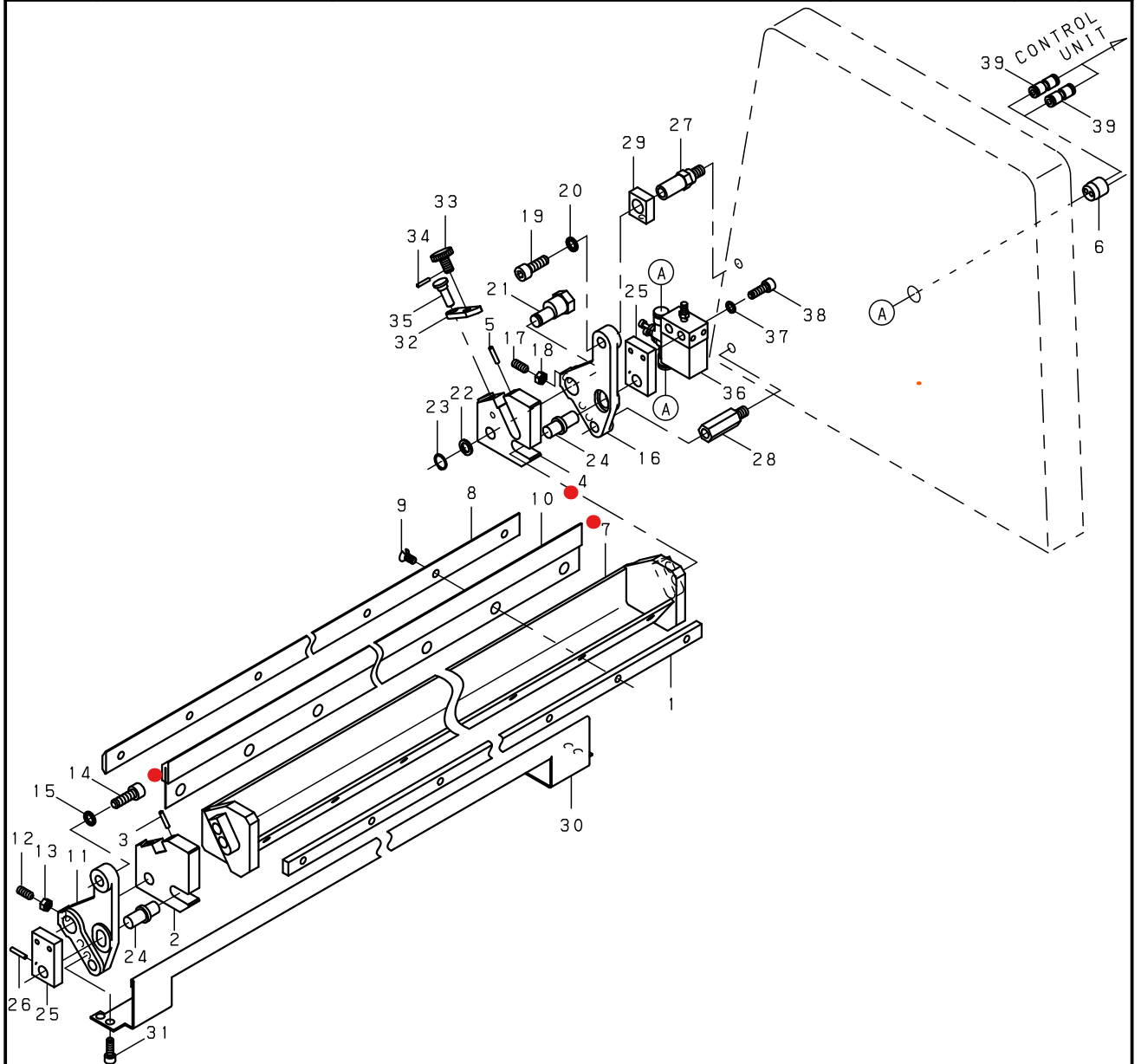


KINDS OF MACHINES	NL-20	DETAIL DRAWING				
ISSUE DATE	2001-05	DRAWING NAME		DRAWING NO.	PAGE	S. NO.
FROM (SERIAL NO.)	2C 2002 4C 2036 5C 2014 6C 2004	INKING UNIT インキ装置		354M4019	1/102	



ITEM	PARTS NO.	QTY	PARTS NAME	ITEM	PARTS NO.	QTY	PARTS NAME
1	3544500400	1	PLATE	21	3544500900	2	PIN
2	3544500500	1	HOLDER	22	6FD1000101	2	WASHER K-114-1-M10
3	6DC0020088	1	SPRING PIN M2X8	23	6FA0000108	2	SNAP RING M10
4	3544500600	1	HOLDER	24	3544501000	2	PIN
5	6DC0020088	1	SPRING PIN M2X8	25	3544500100	2	DOCTOR
6	3545300701	2	BUSHING	26	6DC0030251	2	SPRING PIN M3X25
7	3544500100	1	DOCTOR	27	3544501200	2	PIN
8	3544500300	1	PLATE	28	3544501300	2	PIN
9	6BD0060142	8	MACHINE SCREW M6X14	29	3544501400	2	HOLDER
10	3544500200	1	SCRAPER	30	3544501500	1	GUARD
11	3544500700	1	HOLDER	31	6AC0060129	4	ALLEN CAP SCREW M6X12
12	6BG0060129	1	SCREW M6X12	32	2744659400	2	PLATE
13	6CA1000068	1	NUT (S45C) M6	33	2744660400	2	KNOB
14	6AC0080259	2	ALLEN CAP SCREW M8X25	34	6DC0020104	2	SPRING PIN M2X10
15	6FFA000080	2	WASHER K-115-1-M8	35	2744661400	2	PIN
16	3544500800	1	HOLDER	36	3234500200	2	PNEUMATIC CYL
17	6BG0060129	1	SCREW M6X12	37	6FFA000049	4	WASHER K-115-1-M4
18	6CA1000068	1	NUT (S45C) M6	38	6AC0040204	4	ALLEN CAP SCREW (M4) X20
19	6AC0080259	2	ALLEN CAP SCREW M8X25	39	3Z14300090	4	UNION CONNECTOR KGH04-00
20	6FFA000080	2	WASHER K-115-1-M8				

KOMORI