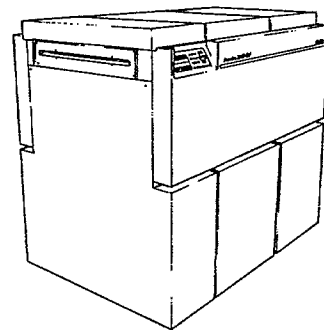
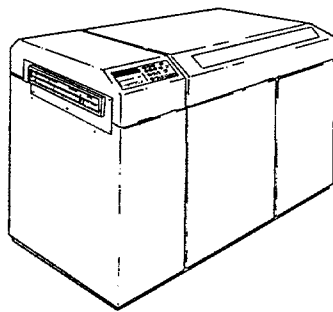


# RAPILINE 51 - OLP ACCUSET & AVANTRA

4.01.00

## USER MANUAL

SPARE PARTS LIST 4



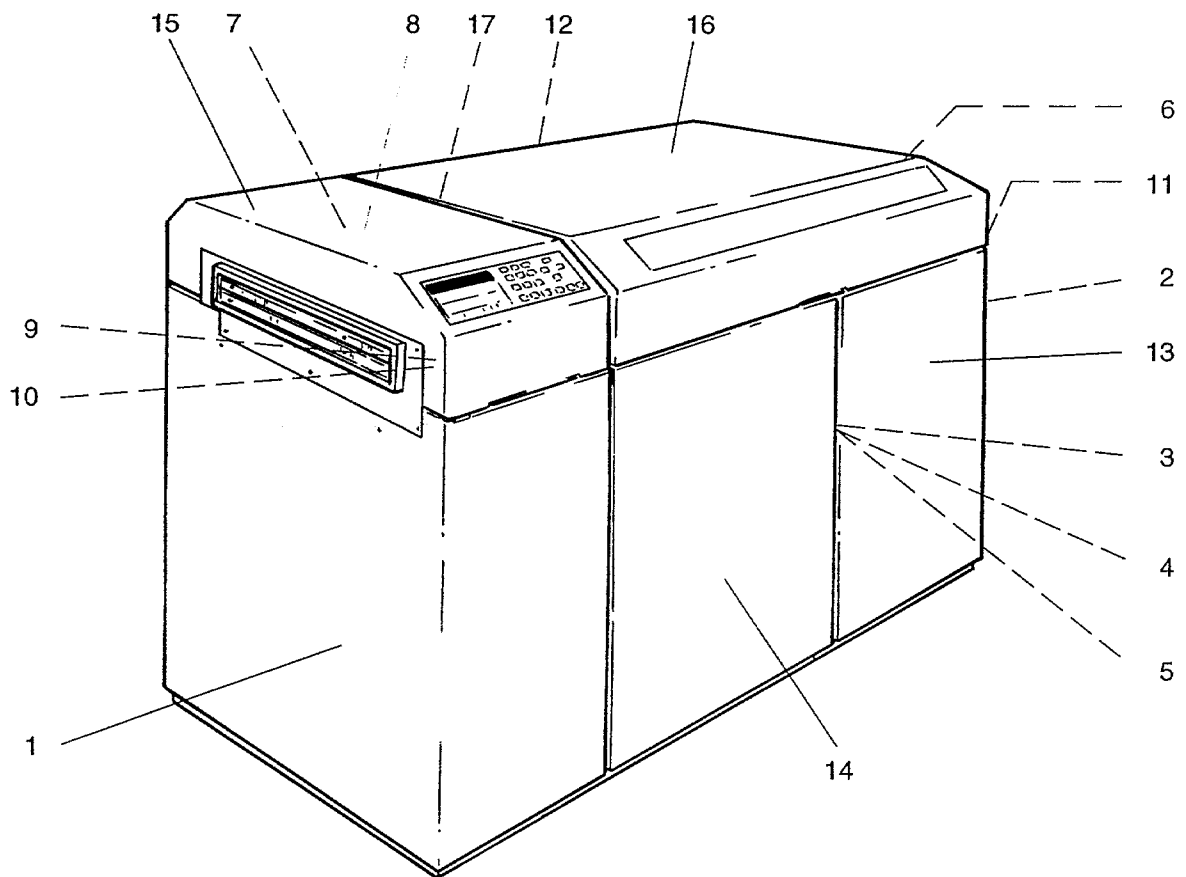
4.02.00

96.03.20

**TOTAL VIEW (Rapiline 51 OLP for Accuset)**

1-	LU+3615D291840	Front plate
2-	LU+3611D290215	Film basket compl. incl. LU+3611D290315
3-	LU+2211X000200	Safety switch
4-	LU+3615D291240	Bracket for safety switch
5-	LU+6203X001500	Snap- in magnetic catches
6-	LU+1451X000100	Paper path sensor
7-	LU+3615D300234	Top cover, for front rack
8-	LU+3615D300800	Cushion for take-up cassette 10"
	LU+3615D300900	Cushion for take-up cassette 14"
	LU+3615D301000	Cushion for take-up cassette 16"
9-	LU+1441X000300	Reed switch
10-	LU+1442X000100	Magnet for reed switch
11-	LU+3615D290140	Rear side plate
12-	LU+3615D290243	Side plate, left
13-	LU+3615D292040	Right side plate, rear
14-	LU+3615D291940	Right side plate, front
15-	LU+3615D290942	Top cover, front
16-	LU+3615D291400	Top cover, rear
17-	LU+2211X000200	Safety switch

TOTAL VIEW (Rapiline 51 OLP for Accuset)



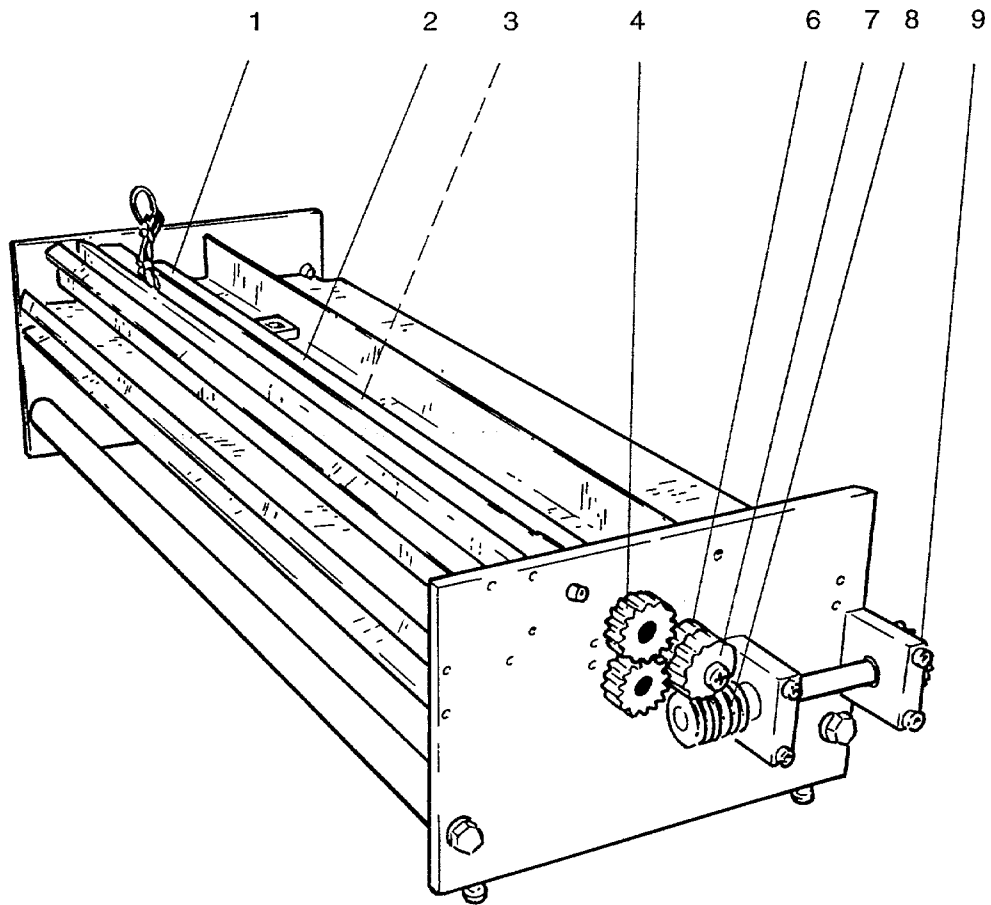
4.04.00

96.03.20

**FEED RACK (Rapiline 51 OLP for Accuset up to series 9)**

1-	LU+1451X000100	Paper path sensor
2-	LU+1100Z237301	Rubber roller 13/25
3-	LU+1130Z031201	PUR Roller 15/25
4-	LU+1281Z161501	Gear wheel
6-	LU+1204Z161501	Adapter gear wheel
7-	LU+1211Z161504	Worm wheel
8-	LU+1221Z011501	Worm
9-	LU+1281Z161501	Gear wheel

**FEED RACK (Rapiline 51 OLP for Accuset up to series 9)**



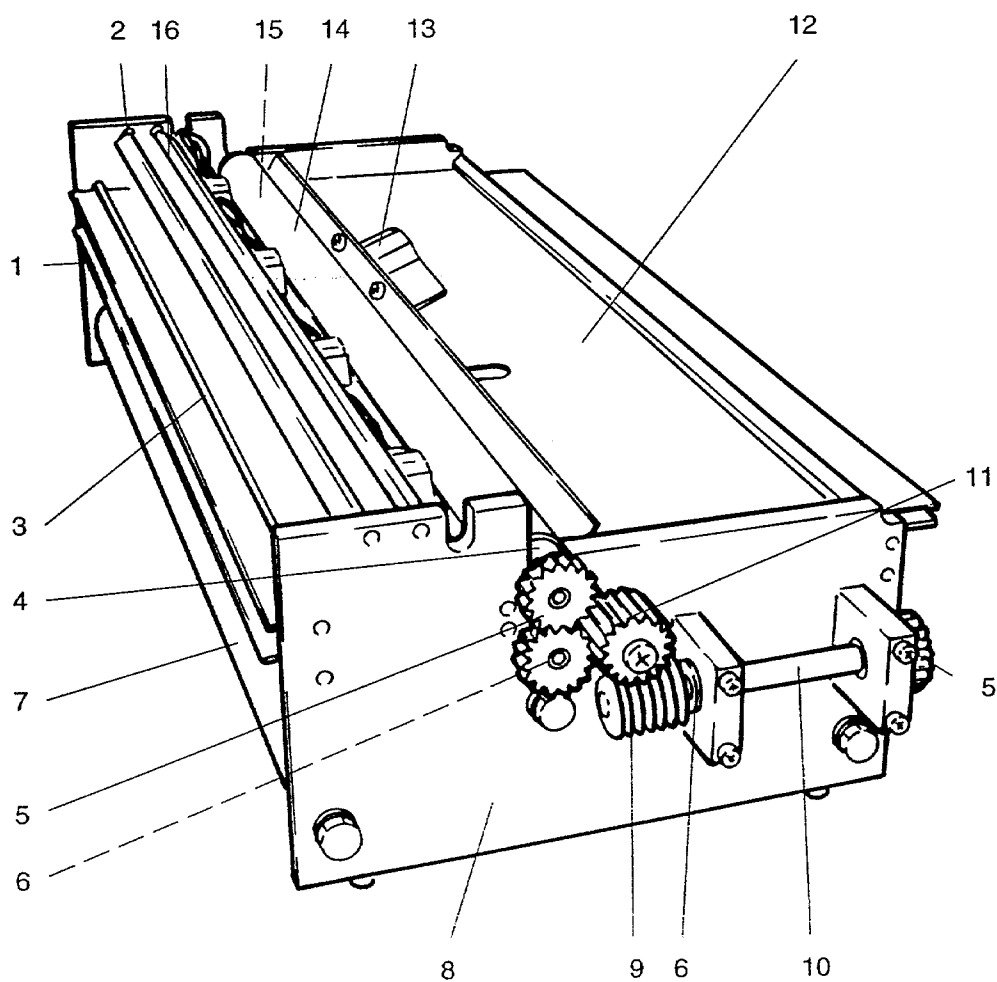
4.06.00

96.03.20

**FEED RACK FOR ACCUSET (SERIES 10 AND UP)**

1-	LU+3615D710700	Guide 91/67.5
2-	LU+2131Z000103	Spring for guide
3-	LU+3615D710100	Cassette guide front
4-	LU+1351Z000501	Bearing for roller PBTP
5-	LU+1282Z161501	Gear, M1.5/Z=16/ø10H7
6-	LU+1351Z000101	Bearing for roller PBTP
7-	LU+3103Z200804	Distance bar, Ø20mm
8-	LU+3022Z000801	Side plate
9-	LU+1221Z011503	Worm for drive shaft
10-	LU+1301Z000802	Drive shaft
11-	LU+1282Z161504	Gear, M=1.5/Z=16/Ø10,2/B=23
12-	LU+3615D710300	Guide 155/67.5 mm
13-	LU+1451X000100	Paper path sensor
14-	LU+1110Z237301	Heavy rubber roller Ø25.0, 13/25
15-	LU+1110Z037301	Rubber roller Ø25.0 13/25
16-	LU+3615D710500	Cassette guide rear

FEED RACK FOR ACCUSET (SERIES 10 AND UP)



4.08.00

96.03.20

**Total Wiew (Rapiline 51 OLP for Avantra)**

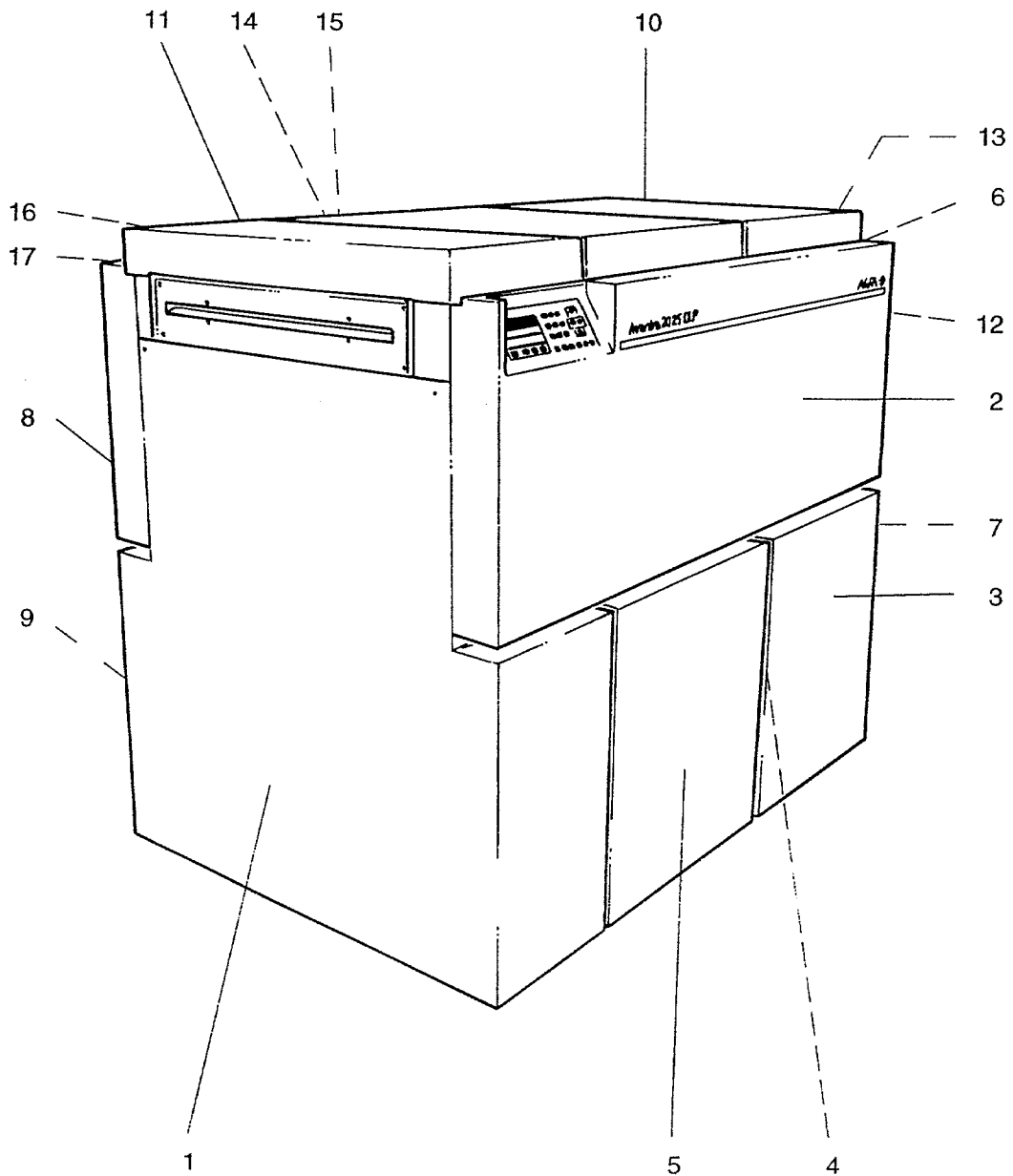
1-	LU+3613D291640	Front plate
2-	LU+3613D290244	Side plate, right upper
3-	LU+3613D291440	Side plate, rear right lower
4-	LU+6203X000800	Magnetic lock
5-	LU+3613D291540	Side plate front, right lower
6-	LU+3613D290740	Side plate, rear upper
7-	LU+3613D290840	Side plate, rear lower
8-	LU+3613D290944	Side plate, left upper
9-	LU+3613D291040	Side plate, left lower
10-	LU+3613D291142	Top cover
11-	LU+3613D291242	Top cover, front
12-	LU+3611D290215	Film basket complete incl. LU+3611D290315
13-	LU+1451X000100	Paper path sensor
14-	LU+3613D301234	Top cover, for front rack
15-	LU+3613D300500	Cushion for take-up cassette 10"
	LU+3613D300600	Cushion for take-up cassette 14"
	LU+3613D300700	Cushion for take-up cassette 16"
	LU+3613D300800	Cushion for take-up cassette Avantra
16-	LU+1441X000300	Reed switch
17-	LU+1442X000100	Magnet for reed switch



4.09.00

96.03.20

Total Wiew (Rapiline 51 OLP for Avantra)



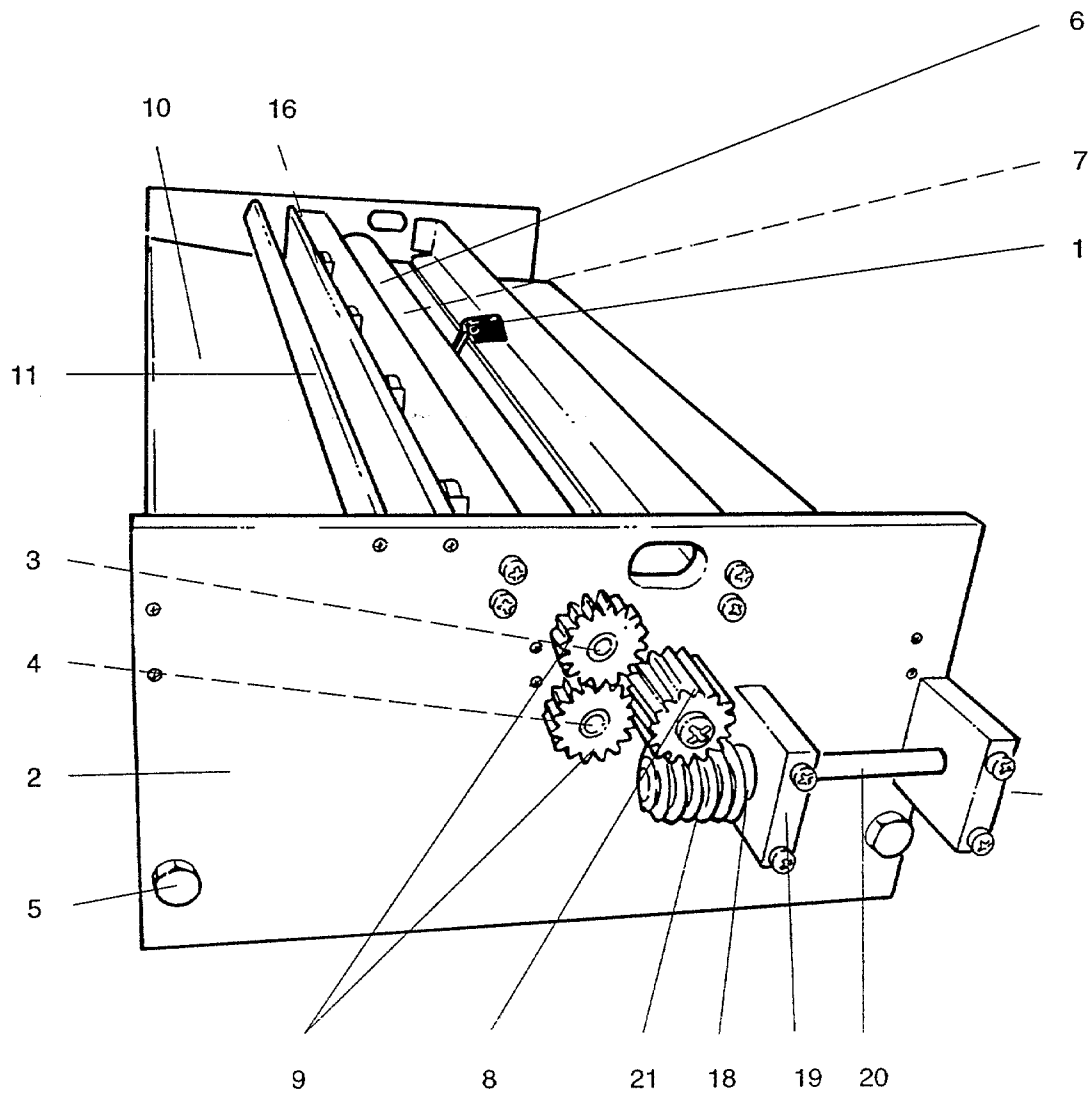
4.010.00

96.03.20

**Rapiline 51 OLP for Avantra (Valid up to serial 9)**

1-	LU+1451X000100	Paper path sensor
2-	LU+3022Z000501	Side plate
3-	LU+1351Z000103	Bearing for roller PBTP
4-	LU+1351Z000101	Bearing
5-	LU+3103Z200804	Distance bar
6-	LU+1100Z037301	Rubber roller Ø25 13/25
7-	LU+1130Z031201	PUR roller smooth 15/25
8-	LU+1204Z161501	Gear
9-	LU+1281Z161501	Gear
10-	LU+3613D700100	Cassette guide, front
11-	LU+3615D700200	Cassette guide, rear
16-	LU+3615D700100	Suspension for IP sensor
18-	LU+1351Z000101	Bearing
19-	LU+1361Z001901	Bearing block front
20-	LU+1301Z000802	Drive shaft
21-	LU+1221Z011503	Worm

Rapiline 51 OLP for Avantra (Valid up to serial 9)



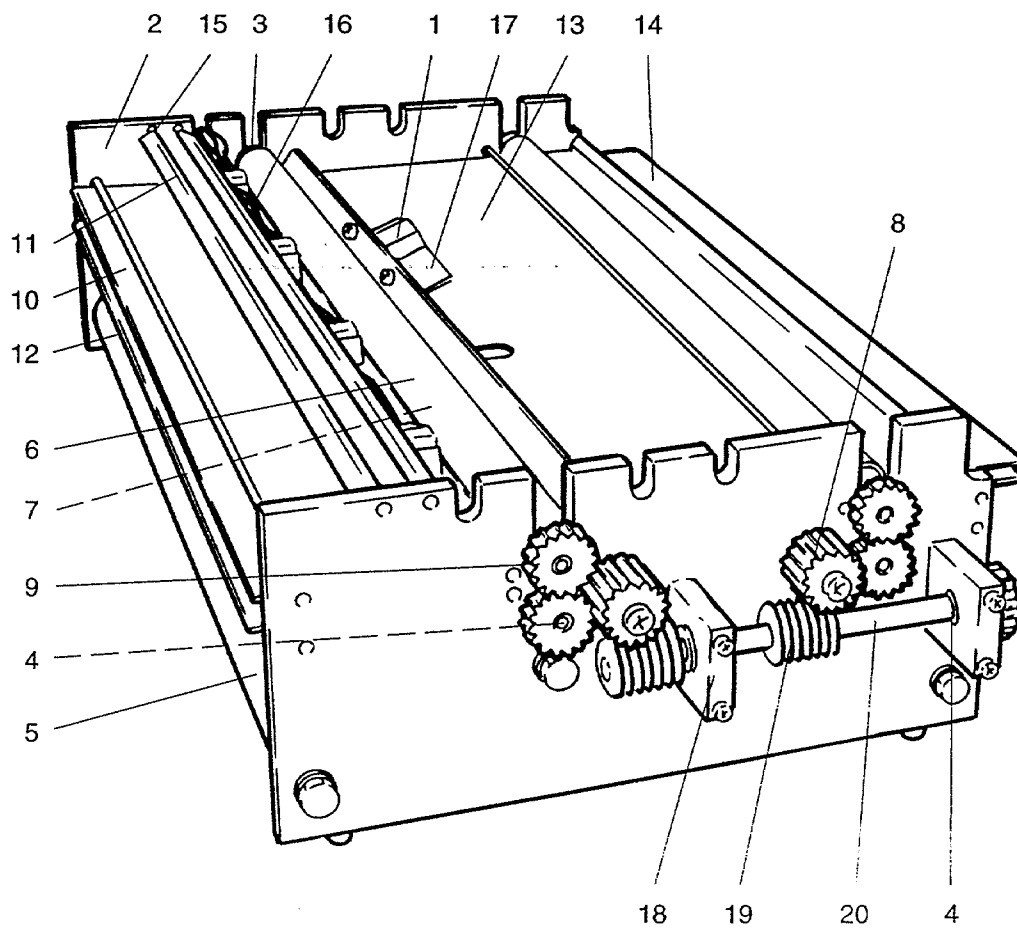
4.012.00

96.03.20

**Rapiline 51 OLP for Avantra**

1-	LU+1451X000100	Paper path sensor
2-	LU+3022Z000601	Side plate
3-	LU+1351Z000501	Bearing for roller PBTP
4-	LU+1351Z000101	Bearing
5-	LU+3103Z200804	Distance bar Ø 20 mm
6-	LU+1410Z437301	Heavy rubber roller, solid, Ø 25.0 13/25
7-	LU+1100Z037301	Rubber roller Ø25 13/25
8-	LU+1282Z161504	Gear
9-	LU+1282Z161501	Gear
10-	LU+3613D710100	Cassette guide, front
11-	LU+3613D710200	Cassette guide, rear
12-	LU+3613D710300	Guide 102/85
13-	LU+3613D710400	Guide 95
14-	LU+3613D710500	Guide 66/32
15-	LU+2131Z000103	Spring for guide
16-	LU+3613D710600	Suspension for IP sensor
17-	LU+3613D710702	Bracket for IP sensor
18-	LU+1361Z005101	Bearing block front
19-	LU+1221Z011503	Worm
20-	LU+1301Z000803	Drive shaft

Rapiline 51 OLP for Avantra



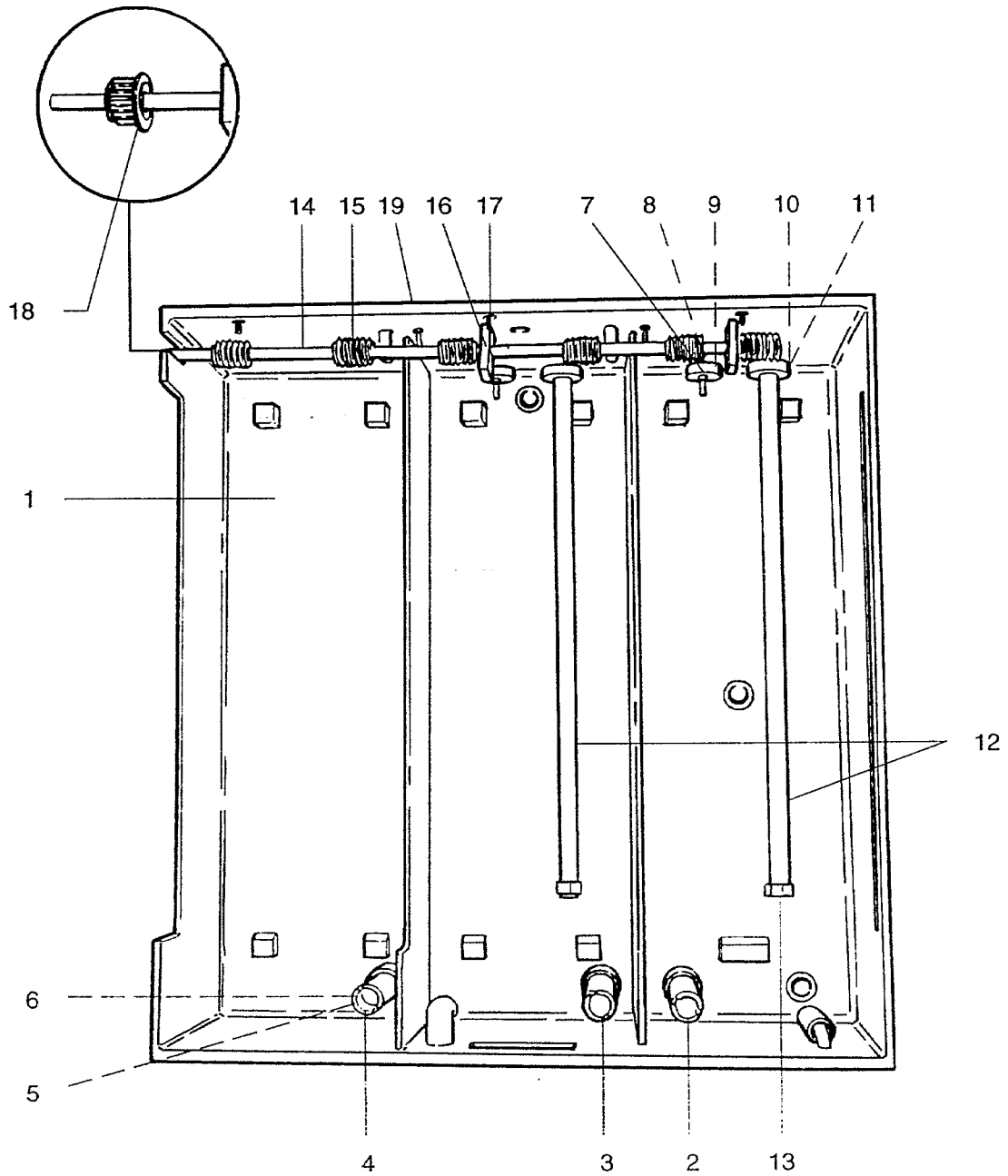
4.014.00

96.03.20

**TANKS**

1-	LU+3611D120100	Tank, complete (not incl. elec. components)
2-	LU+3201Z326501	Overflow pipe, developer, red
3-	LU+3202Z326501	Overflow pipe, fixer, blue
4-	LU+3203Z326501	Overflow pipe, wash, grey
5-	LU+8181X000800	O-ring
6-	LU+3219Z000101	Key for overflow pipe (not shown)
7-	LU+2101Y000301	Temperature sensor, developer-fixer tank
8-	LU+3230Z000301	Union nut for temperature sensor
9-	LU+8181X000200	O-ring for temperature sensor
10-	LU+8181X000700	O-ring for heating element LU+2201Y 000102
11-	LU+3230Z000401	Union nut for heating element
12-	LU+2201Y000102	Heating element, developer and fixer, 250/750 W, 230 V
13-	LU+3041Z000101	Fixation block for heating element
14-	LU+1301Z000120	Drive shaft
15-	LU+1221Z011503	Worm for drive shaft moulded
16-	LU+1361Z002701	Bearing block
17-	LU+1351Z000100	Bearing Ø10.2 grey
18-	LU+1253Z160504	Drive belt pulley with one flange
19-	LU+2301Z000101	Level screw

TANKS



4.016.00

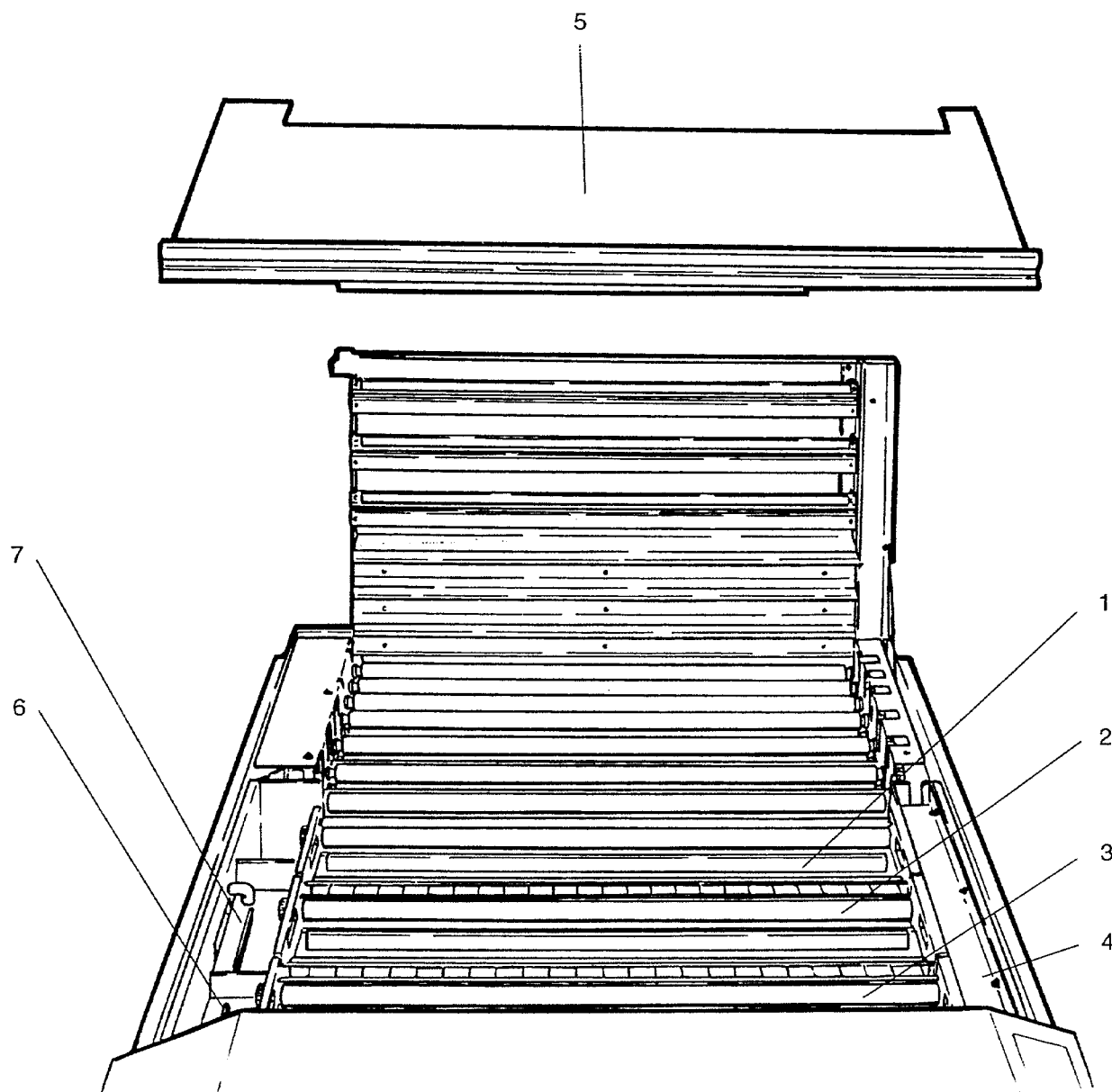
96.03.20

**LIDS**

- |    |                |                                  |
|----|----------------|----------------------------------|
| 1- | LU+3033Z000204 | Lid, wash rack, grey             |
| 2- | LU+3032Z000204 | Lid, fixer rack, blue            |
| 3- | LU+3031Z000204 | Lid, developer rack, red         |
| 4- | LU+3111D130203 | Protection cover for drive shaft |
| 5- | LU+3611D120400 | Cover for dev. and fixer         |
| 6- | LU+3031Z001101 | Lid for drain, DEV               |
| 7- | LU+3032Z001101 | Lid for drain, FIX               |



LIDS



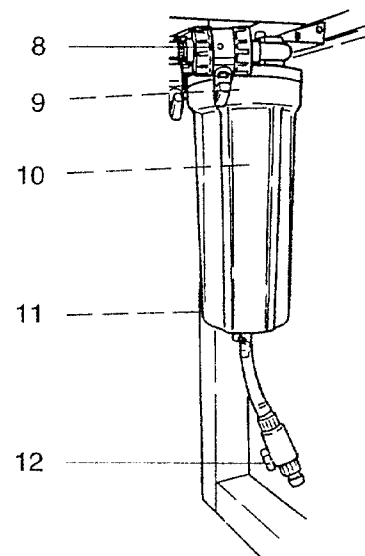
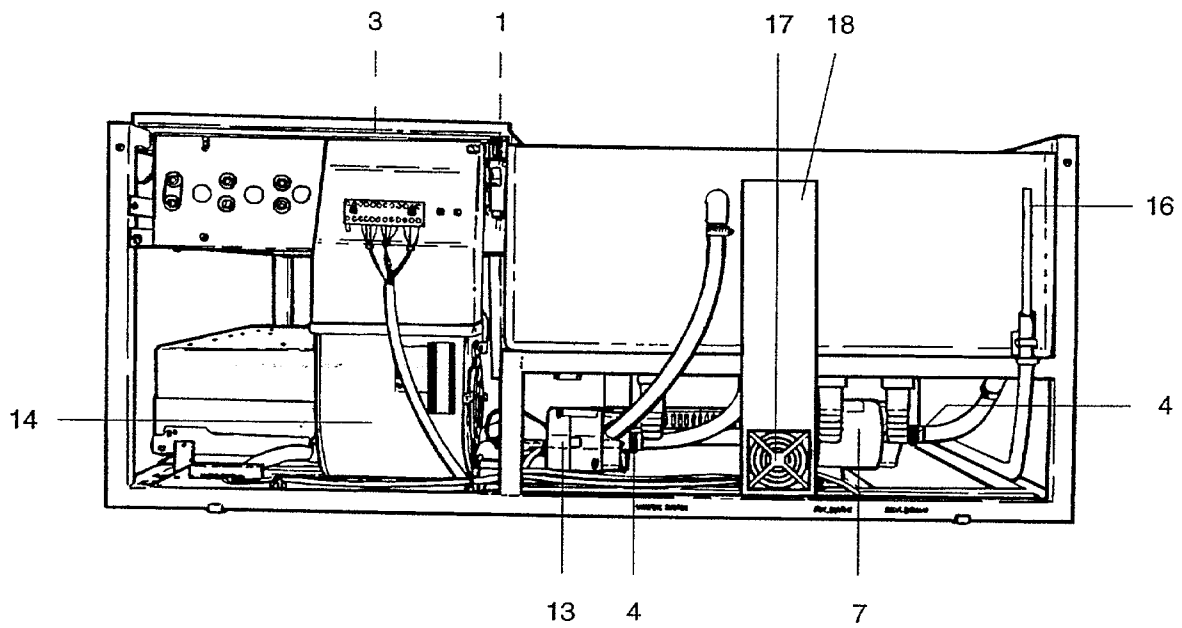
4.018.00

96.03.20

**LEFT HAND SIDE**

1-	LU+2211X000100	Safety switch for dryer section
3-	LU+0401X000700	Heating element, dryer section 220V 2x570W (not visible on drawing)
4-	LU+7191X082200	Stainless steel hose clamp
7-	LU+0201x000201	Circulation pump, developer
8-	LU+7341X161601	Ball valve
9-	LU+8181X001600	O-ring for housing
10-	LU+6909X000700	Cartridge
11-	LU+6918X000100	Spanner
12-	LU+7342X121221	Valve
13-	LU+0201x000101	Circulation pump, fixer, 220-240 VAC
14-	LU+ 0301x000100	Dryer fan
16-	LU+3230Z001701	Pipe for regeneration Ø10/ø7
17-	LU+2304Y000202	Fan with wiring
18-	LU+3111D120634	Air duct (Accuset)
	LU+3613D120234	Air duct (Avantra)

LEFT HAND SIDE



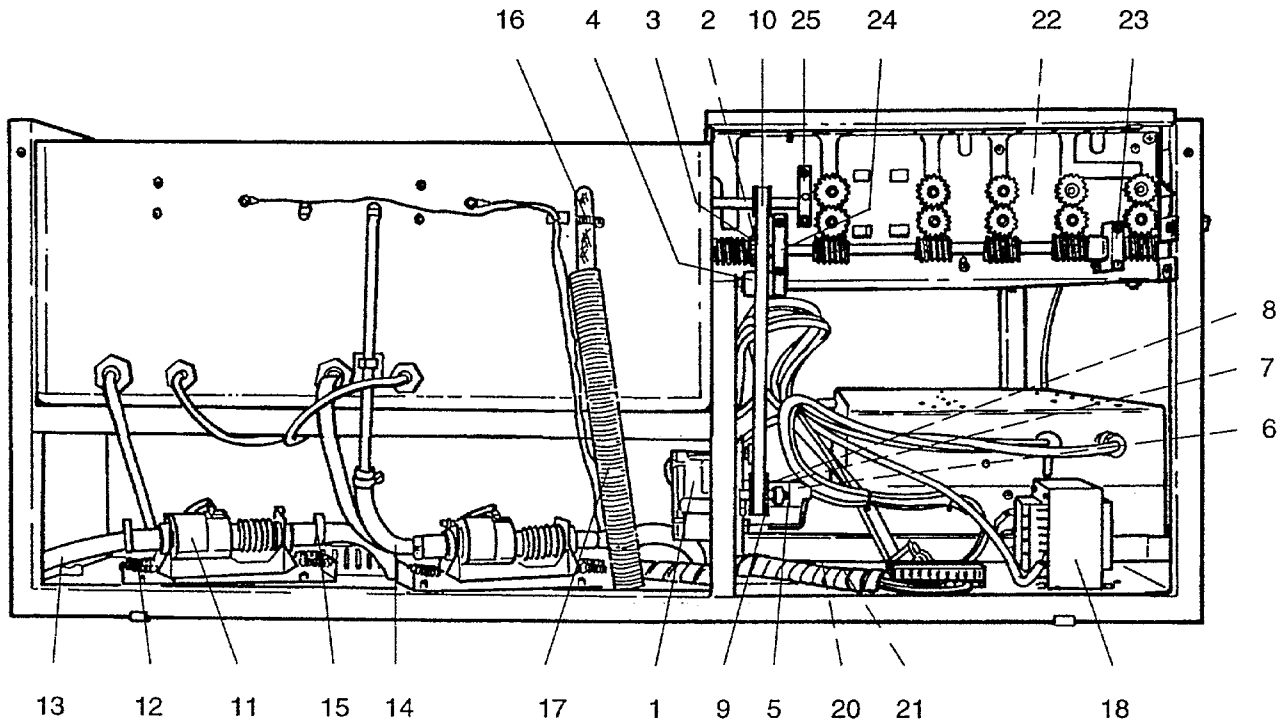
4.020.00

96.03.20

**RIGHT HAND SIDE**

1-	LU+0104X000500	Main motor
2-	LU+1253Z160504	Drive belt pulley with 1 flange
3-	LU+1253Z160502	Drive belt pulley with 2 flanges
4-	LU+1241Z000103	Idler
5-	LU+1462X000200	Tacho disc, 60 holes
6-	LU+2201Z001101	Bracket for opto-interrupter
7-	LU+1461X000200	Opto-interrupter
8-	LU+2621Y008302	Wiring harness, level and feed-back
9-	LU+1251Z230501	Drive belt pulley for drive motor shaft
10-	LU+6101X001300	Drive belt
11-	LU+0201X000801	Replenishment pump dev. and fix.
12-	LU+2131Z000201	Spring for replenish pumps
13-	LU+7101X102000	Hose for developer replenishment, red, Ø 10-14
14-	LU+7102X102000	Hose for fixer, replenishment, blue, Ø 10-14
15-	LU+7192X151700	Plastic hose clamp, for replenishment pump
16-	LU+7191X082200	Stainless steel hose clamp
17-	LU+0501X000301	Water protection system
18-	LU+1501X000900	Transformer, 24V
20-	LU+3230Z000201	Suction pipe for replenishment, dev., red (not shown on drawing)
21-	LU+3230Z000202	Suction pipe for replenishment, fix., blue (not shown on drawing)
22-	LU+2220Z004701	Protective plastic shield (not shown on drawing)
23-	LU+1361Z000301	Bearing block, rear
24-	LU+1363Z001001	Bearing block, front, lower
25-	LU+1363Z001101	Bearing block, front, upper
26-	LU+7326X121600	Adapter w/male threading 12 X 16 X 3/8 (only for USA, not shown)

RIGHT HAND SIDE



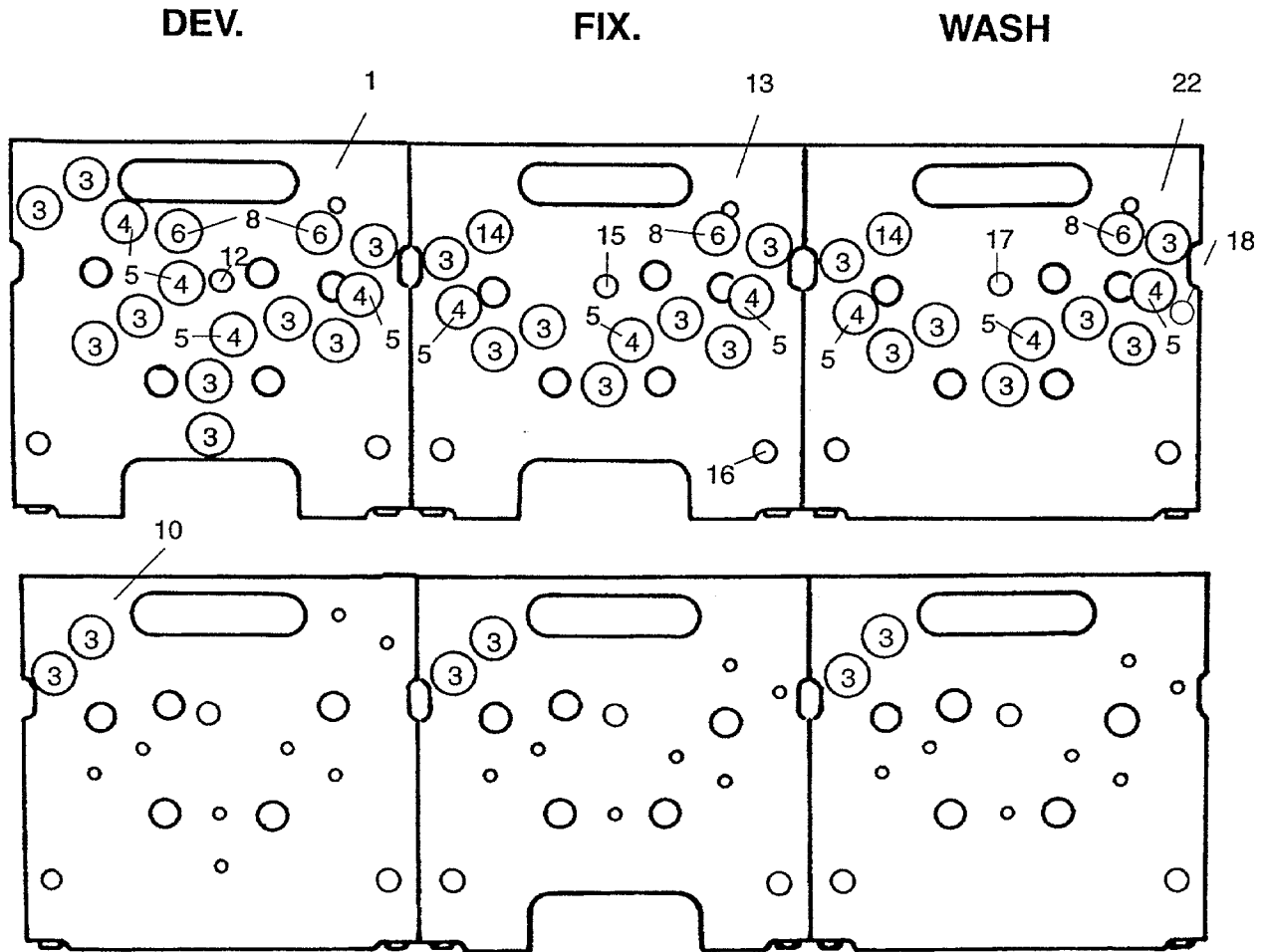
4.022.00

96.03.20

**DEVELOPER, FIXER AND WASH RACKS**

1-	LU+3004Z000803	Side plate, right, developer rack
2-		Bearing see diagram page 4.024
3-	LU+1282Z161501	Gear wheel POM-C black, M = 1.5, Z = 16
4-	LU+1282Z161502	Intermediate gear wheel POM-C black, M = 1.5, Z = 16
5-	LU+1331Z000101	Bushing for intermediate gear wheel (LU+1282Z161502)
6-	LU+1282Z161504	Gear wheel POM-C white, M = 1.5, Z = 16
8-	LU+1331Z000102	Stainless steel bushing for gear wheel (LU+1282Z161504)
10-	LU+3004Z000903	Side plate, left, developer rack
12-	LU+3101Z200804	Distance bar, red, developer rack, upper
13-	LU+3005Z000303	Side plate, right and left, fixer rack
14-	LU+1282Z161503	Gear wheel POM-C white, M = 1.5, Z = 16
15-	LU+3102Z200804	Upper distance bar, blue, fixer rack
16-	LU+3103Z150804	Lower distance bar, grey, fixer and wash rack
17-	LU+3103Z200804	Upper distance bar, grey, wash rack
18-	LU+3115Z201504	Tank wall reinforcement
19-	LU+3613D210000	Developer rack, complete
20-	LU+3613D220000	Fixer rack, complete
21-	LU+3613D230000	Wash rack, complete
22-	LU+3005Z000701	Side plate, right and left, wash rack

DEVELOPER RACKS



4.024.00

96.03.20

**DEVELOPER, FIXER AND WASH RACKS**

1-	LU+2039Z000802	Entrance guide, developer rack
2-	LU+2039Z001307	Guide, 26 mm.
3-	LU+2039Z001302	Guide, 30 mm.
4-	LU+2039Z001313	Guide, 42 mm.
5-	LU+2039Z001305	Guide, 42 mm.
6-	LU+2039Z001306	Bottom guide, 42 mm., developer rack
7-	LU+2039Z001310	Bottom guide 84 mm., fixer and wash rack
8-	LU+2101Z020204	Cross-over
9-	LU+2131Z000101	Spring for cross-over
10-	LU+2009Z001901	Guide, 20 mm.
11-	LU+2031Z000104	Bottom plate, developer rack
12-	LU+2039Z001311	Guide, 23 mm.

## Bearing in racks Developer

LU+1351Z000102

Bearing Ø10.2 mm (Marked with an X in the drawing)

LU+1351Z000104

Bearing Ø10.5 mm

## Bearing in racks Fixer/wash

LU+1351Z000101

Bearing Ø10.2 mm (Marked with an X in the drawing)

LU+1351Z000103

Bearing Ø10.5 mm



4.025.00

96.03.20

**DEVELOPER, FIXER AND WASH RACKS**



LU+1110Z037301

Rubber roller, ø25.0, 13/25



LU+1110Z031526

Rubber roller, ø25.0, 15/40



LU+1130Z031201

Polyurethan roller, smooth, ø25.0, 15/25



LU+1130Z033021

Polyurethan roller, smooth, ø25.0, 25/25



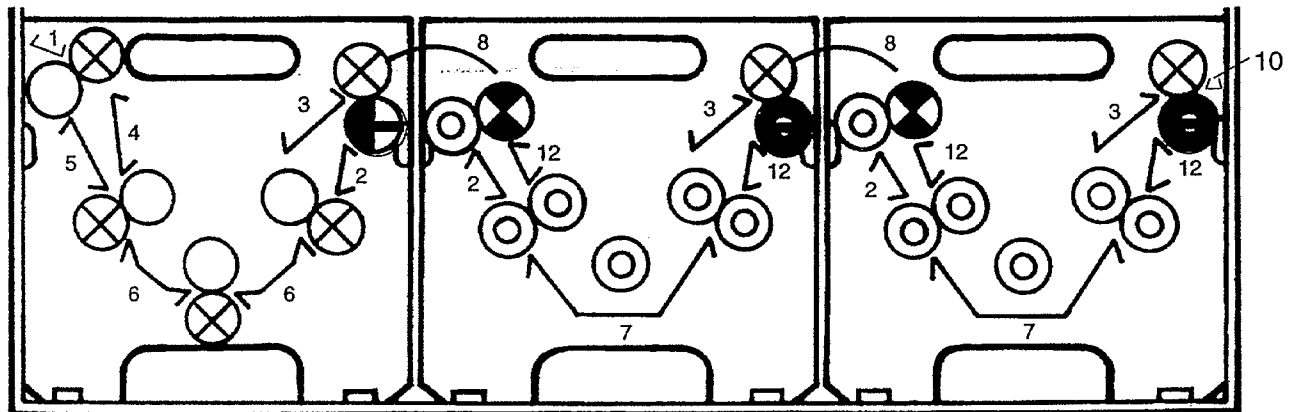
LU+1140Z031201

Polyurethan roller, ground, ø25.0, 15/25

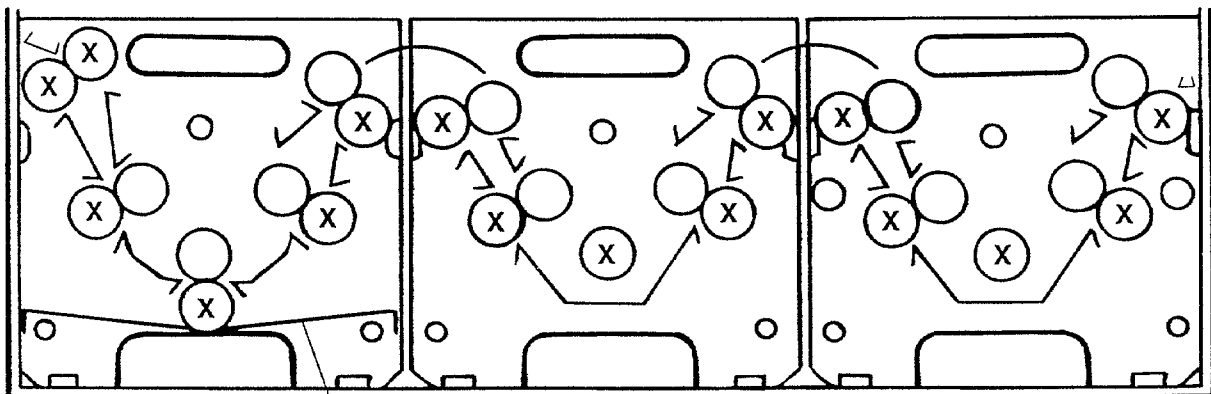
**DEV.**

**FIX.**

**WASH**



→ Direction of transport



11

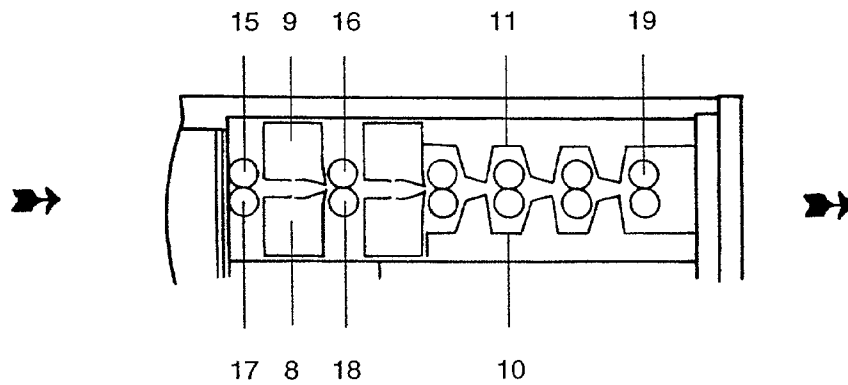
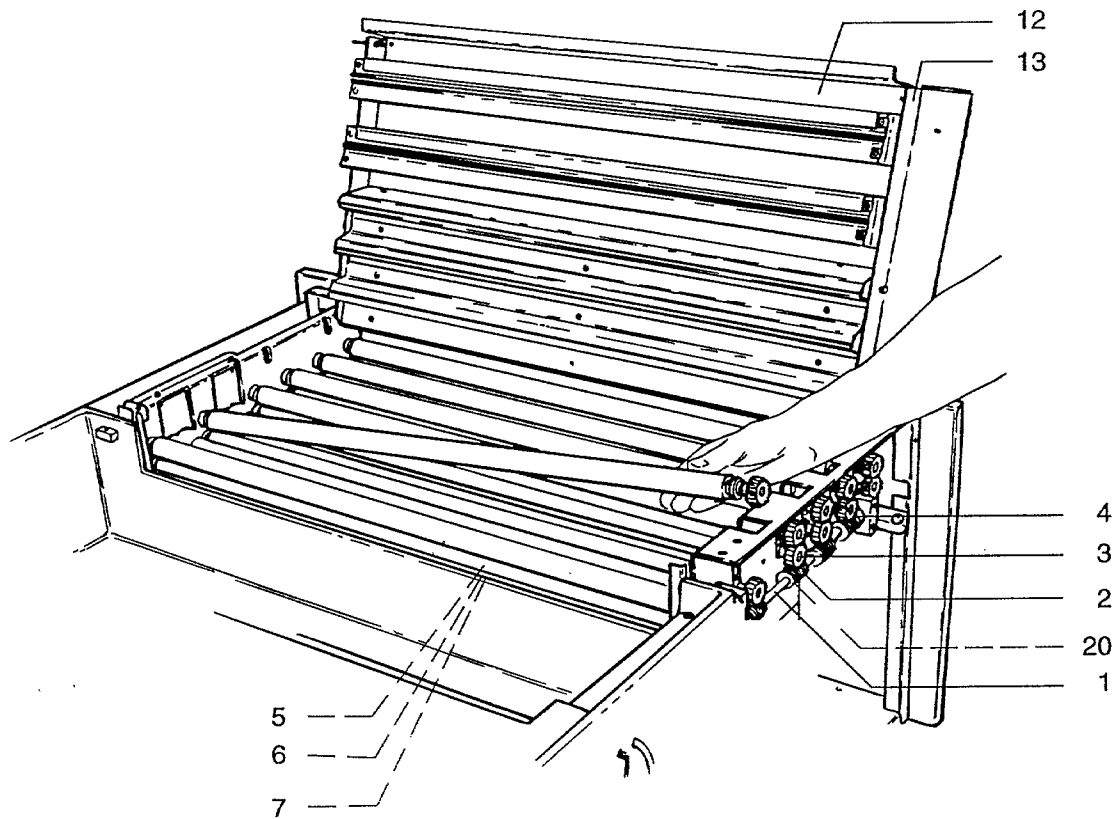
4.026.00

96.03.20

**DRYER SECTION (I)**

1-	LU+1301Z000201	Drive shaft
2-	LU+1221Z011503	Worm for drive shaft
3-	LU+1282Z161501	Gear wheel POM-C black, M = 1.5, Z = 16
4-	LU+1351Z201001	Thrust bearing
5-	LU+2101Y000301	Temperature sensor PT 500, dryer section
6-	LU+2562X000100	Strain relief PG 9
7-	LU+2621Y000701	Wiring harness, temperature sensors
8-	LU+3611D240211	Air duct, lower comp.
9-	LU+3611D240511	Air duct, upper comp
10-	LU+3611D240301	Triple guide, lower comp.
11-	LU+3611D240601	Triple guide, upper comp.
12-	LU+3611D240401	Dryer cover
13-	LU+3111D240601	Upper right side, dryer
14-	LU+1331Z001101	Bushing, $\varnothing 6/\varnothing 10$ (not visible on drawing)
15-	LU+1103Z031306	Rubber roller, $\varnothing 25.5/\varnothing 25$ , 15/30
16-	LU+1103Z031404	Rubber roller, $\varnothing 25.5/\varnothing 25$ , 15/35
17-	LU+1150Z031306	Pur/teflon roller, 15/30
18-	LU+1150Z031404	Pur/teflon roller, 15/35
19-	LU+1102Z031404	Rubber roller, $\varnothing 25.8$ , 15/35
20-	LU+2141Z000102	Wire for dryer cover (not shown on drawing)

DRYER SECTION (I)



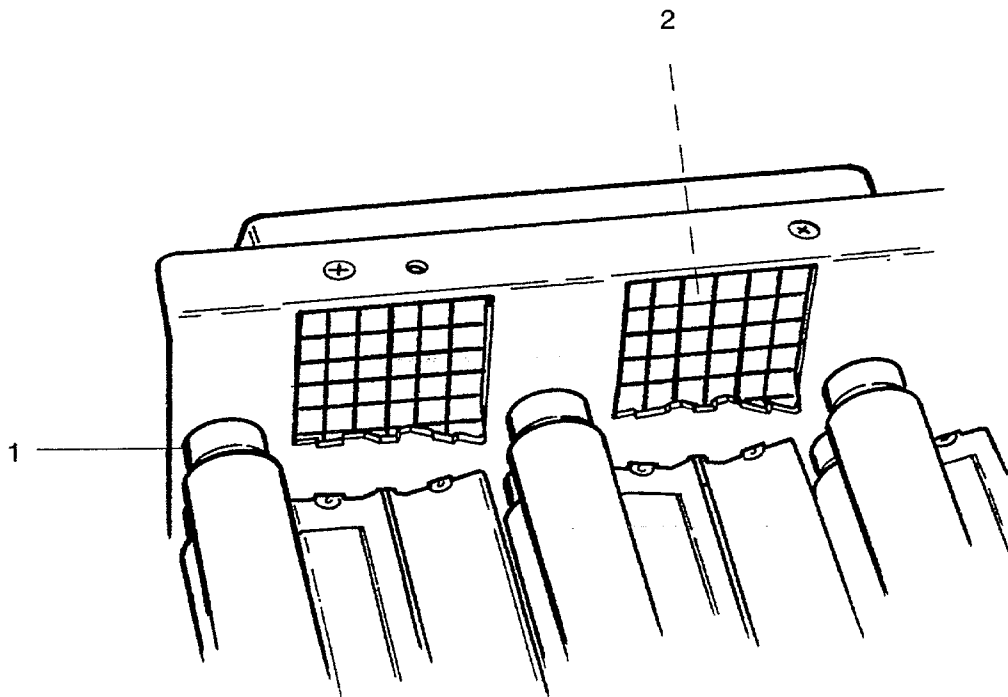
4.028.00

96.03.20

**DRYER SECTION (II)**

- 1- LU+1351Z000601 Bearing for roller
- 2- LU+0401X000700 Heating element, 220 V, 2 x 570 W

DRYER SECTION (II)



4.030.00

96.03.20

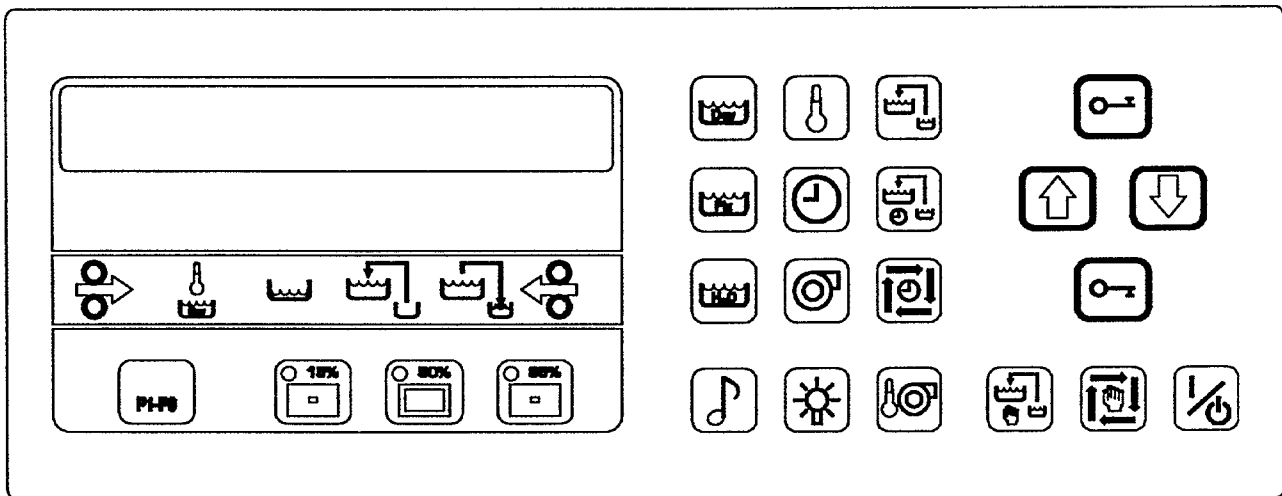
**CONTROL PANEL**

LU+0507Y013100	Control panel, complete
LU+2621X001600	Keyboard
LU+6205Y010300	ATB 03 circuit board
LU+6205Y010000	EPROM

4.031.00

96.03.20

CONTROL PANEL



4.032.00

96.03.20

**ELECTRONICS (upper)**

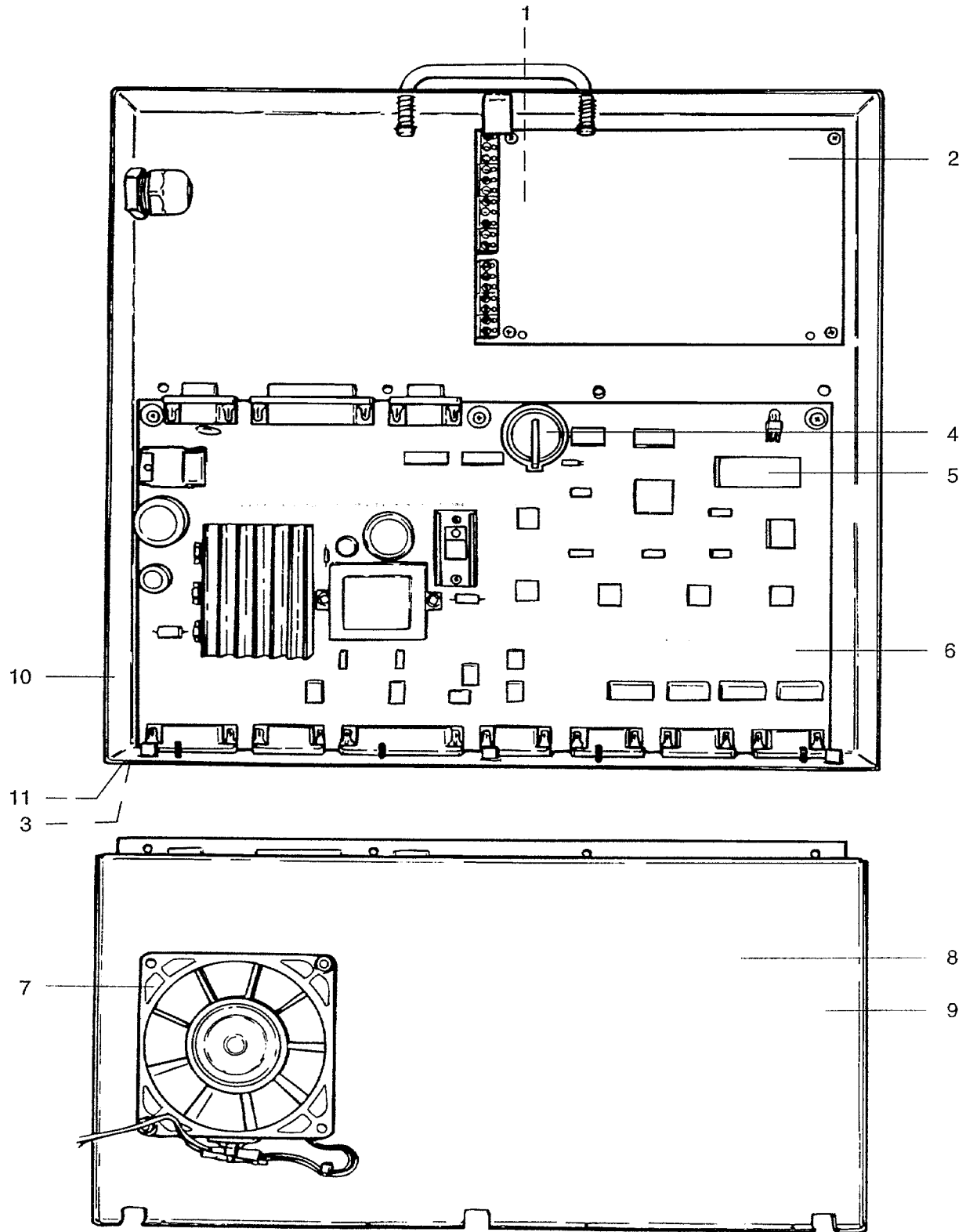
- |     |                |                                              |
|-----|----------------|----------------------------------------------|
| 1-  | LU+2415X020000 | Fuse, 2 AT, 5 x 20 mm (not shown on drawing) |
| 2-  | LU+5202Y000100 | LÜTH Motor Board, LMB 02                     |
| 3-  | LU+2416X006000 | Fuse, 600 mAF, 5 x 20 mm                     |
| 4-  | LU+1311X000100 | Lithium cell, 3 Volt                         |
| 5-  | LU+6305Y020000 | Eprom 51A51 V03 R03                          |
| 6-  | LU+6301Y000501 | LÜTH Computer Board, LCB 01                  |
| 7-  | LU+2304Y000301 | Fan, 12 V                                    |
| 8-  | LU+4121Z000501 | Bracket for plugs                            |
| 9-  | LU+4121Z000401 | Shield for electronics                       |
| 10- | LU+4101Z000301 | Upper part electronics                       |
| 11- | LU+2601Y004201 | Fuse holder                                  |



4.033.00

96.03.20

ELECTRONICS (upper)



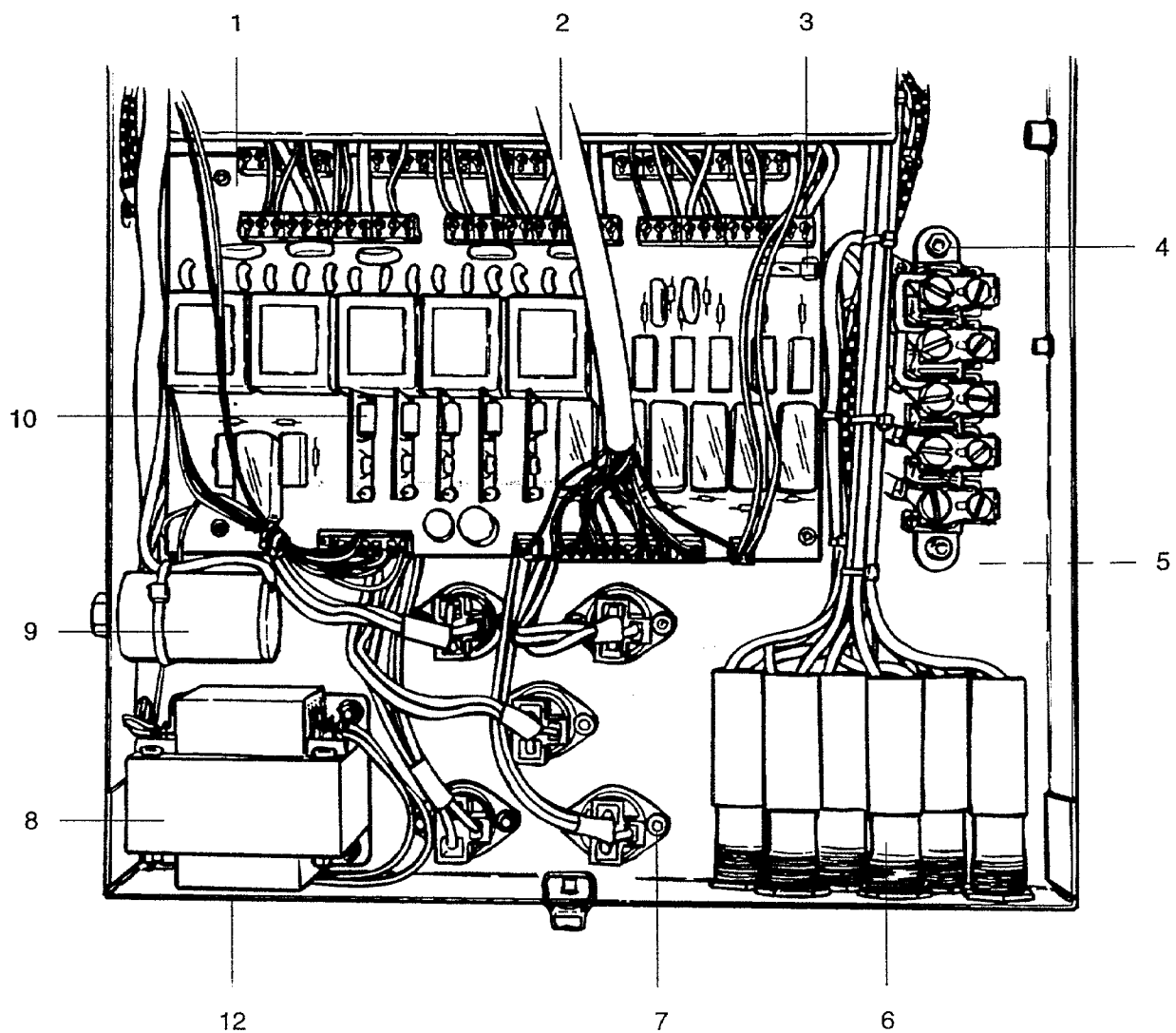
4.034.00

96.03.20

**ELECTRONICS (lower)**

1-	LU+5111Y000200	LPB 01, triac board, complete
2-	LU+2621Y000901	Interconnection cable
3-	LU+2415X003200	Fuse, 315 mA, 5 x 20 mm
4-	LU+3111X000800	Terminal strip, 5 circuit
5-	LU+4121Z000201	Protective plastic shield (not shown on drawing)
6-	LU+2401X000100	Fuse holder, complete
7-	LU+3848	Power Triac, 25 A
8-	LU+1501X000400	Transformer
9-	LU+2121X000200	Motor capacitor
10-	LU+3847	Trigger Board
12-	LU+4101Z000401	Lower part electronics box

ELECTRONICS (lower)



4.036.00

96.03.20

## ACCESSORIES FOR RAPILINE 51-3 OLP

EB+7031400460 20 l Container with screw cap

EB+7588210520 30 l Chemistry container

EB+7588210530 Cover for 30 l container

LU+5101D600100 Drip pan

LU+3615D600200 Chemicar, complete