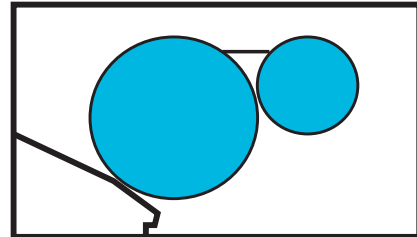


Date of Installation : _____

Unit Serial Number : _____

Kompac Dealer : _____

VARN
Kompac[®]



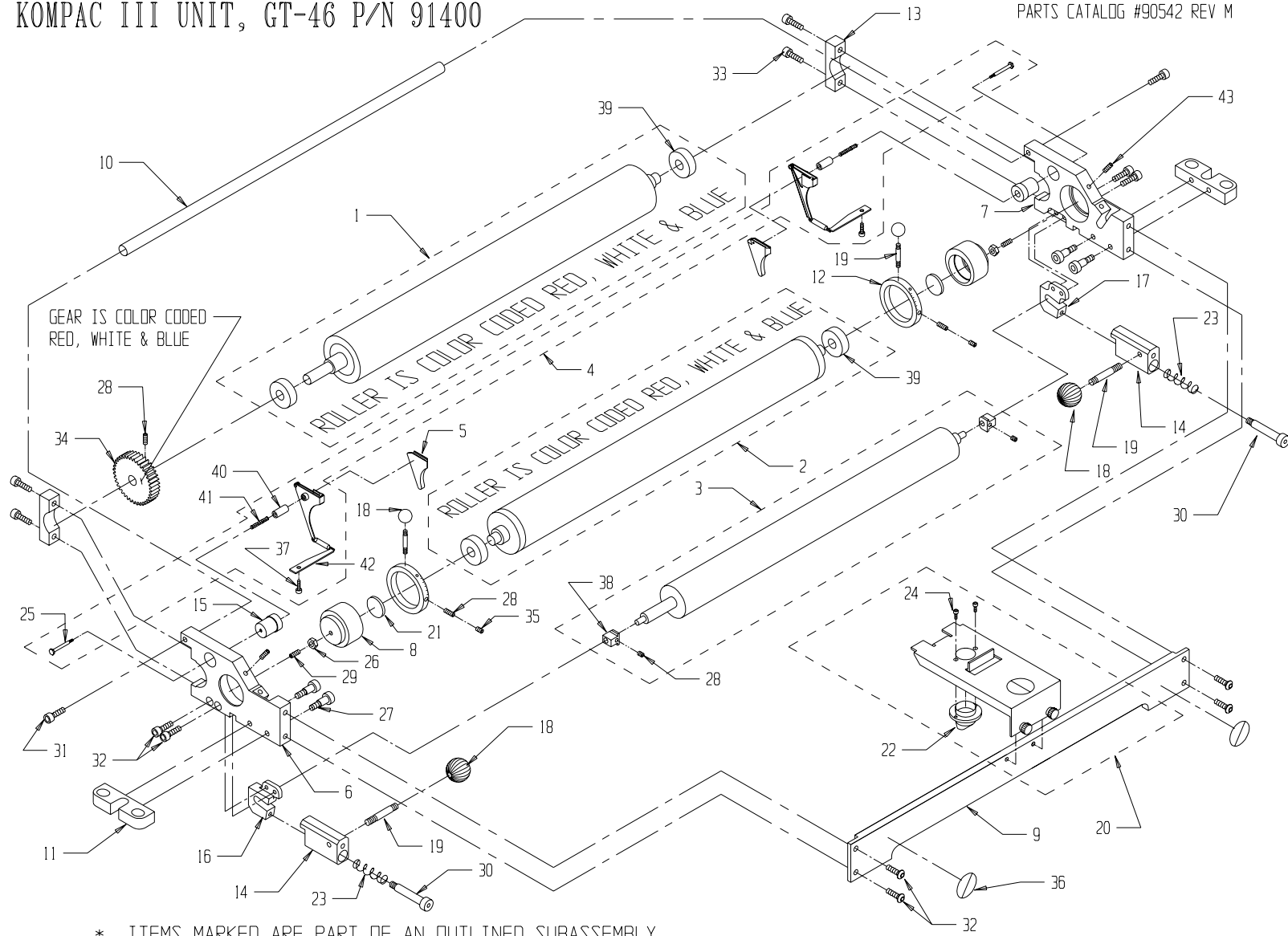
MODEL : GT-46
PARTS CATALOG #90542 REV.M

GT-46 PARTS CATALOG

P/N 090542

REV	DESCRIPTION	ECN	BY	DATE
I	MODIFY UNIT DRAWING CHANGE 91887 TO 91722	1356	B.W.	12/12/97
J	CHANGED 91490 KOLORMATE TO 95716 OSCILLATOR, OSCILLATOR PAGE ADDED	1517	Z.Z.	5-5-99
K	OSCILLATING ROLLER UPDATED AS PER ECN 1545	1575	M.K.	04/02/00
L	OSC. SHEET: OSC. WAS 095716, ITEM #10 WAS 95754, ITEM #5 WAS 095776 AND ITEM #6 WAS 095749. REMOVED ITEM #14 (092106, QTY 2). UNIT SHEET: ITEM #3 WAS 095716.	1638	MJC	10-30-00
M	UNIT PAGE: OSCILLATOR (ITEM #3) WAS 095722. OSC PAGE: DELETED.	1751	MJC	3-20-02

SCALE:0.1425



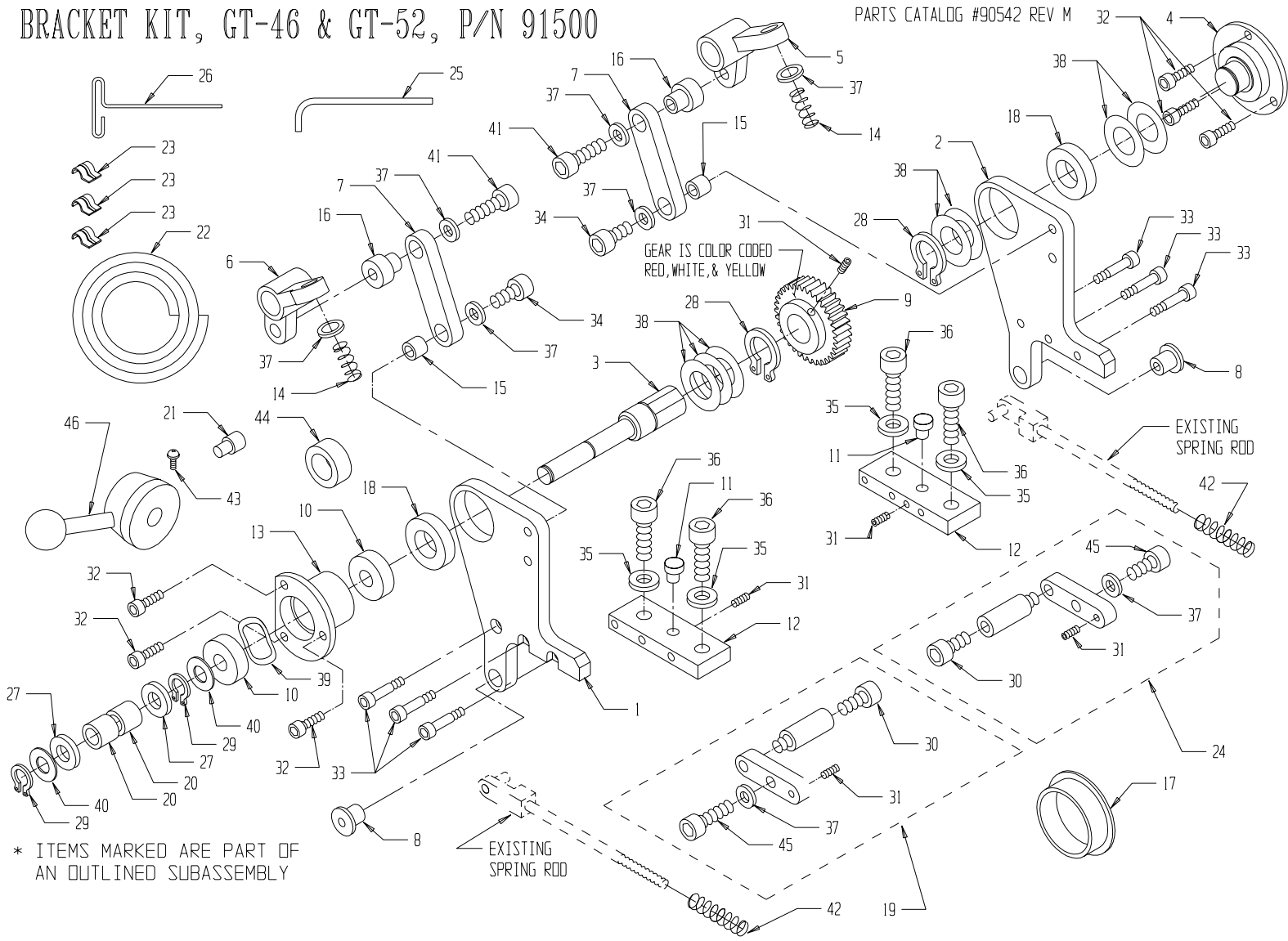
* ITEMS MARKED ARE PART OF AN OUTLINED SUBASSEMBLY

43	91687	M5 X 8mm Set Screw	2
42	91406	Spring Plate, GT46/52	*
41	92242	Compression Spring	*
40	92304	Guide Pin	*
39	92586	Form/Metering Bearing	*
38	92174	Metric Alignment Block	*
37	91760	M4 x 10mm Cap Screw	*
36	92601	Safety Sticker	02
35	91909	M5 x 4mm Set Screw, Slotted	02
34	91405	Form Roller Gear, 38T	01
33	91761	M6 x 18mm Cap Screw	04
32	91773	M6 x 12mm Cap Screw	08
31	91711	Ø6mm x 16mm Sh'ldr Scr	02
30	91708	Ø6mm X 30mm Sh'ldr Scr	02
29	91703	M5 x 12mm Set Screw	02
28	91888	M5 x 5mm Set Screw	03*
27	91722	M8 x 16mm SHOULDER SCREW	04
26	91752	M5 Nut	02
25	92303	Shoulder Screw	*
24	91907	6-32 x 3/8" Phil Sc., Blk	*
23	95698	Compression Spring	02
ITEM#	PART #	DESCRIPTION	QTY

22	92604	Nozzle	*
21	91413	Thrust Plate	02
20	95650	Nozzle Bracket Assembly	01
19	91417	Threaded Stud, short	04
18	92055	Ball Knob	04
17	91424	Oscillator Block RH	01
16	91423	Oscillator Block LH	01
15	91407	Backing Plate Standoff	02
14	95697	Clamp, Oscillstor	02
13	92179	Form Rol. Bearing Clamp	02
12	91416	Metering Gauge	02
11	91419	Attachment Block	02
10	91408	Tie Rod	01
09	91414	Tie Plate	01
08	91412	Metering Rol. Eccentric	02
07	91411	Non-Op Side Frame	01
06	91409	Op Side Frame	01
05	90850	R.H. and L.H. Seal Set	01
04	91450	Seal Backing Plate Kit	01
03	91490	Oscillator, GT-46	01
02	91420	Metering Roller Assy	01
01	91410	Form Roller Assy	01
ITEM#	PART #	DESCRIPTION	QTY

BRACKET KIT, GT-46 & GT-52, P/N 91500

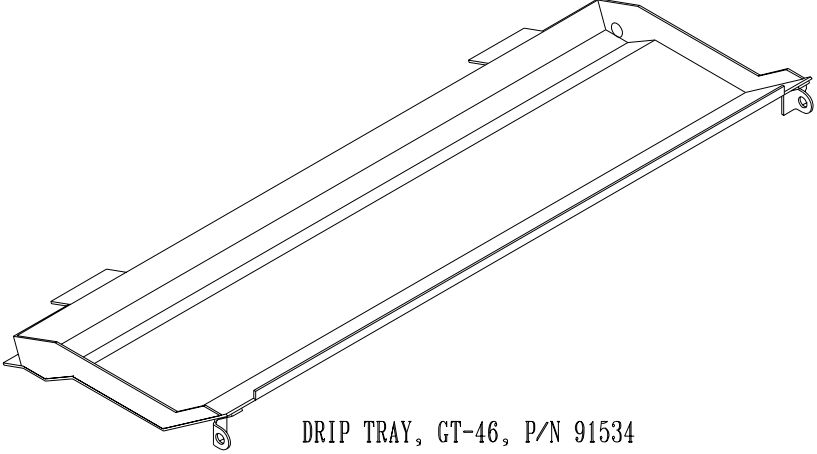
PARTS CATALOG #90542 REV M



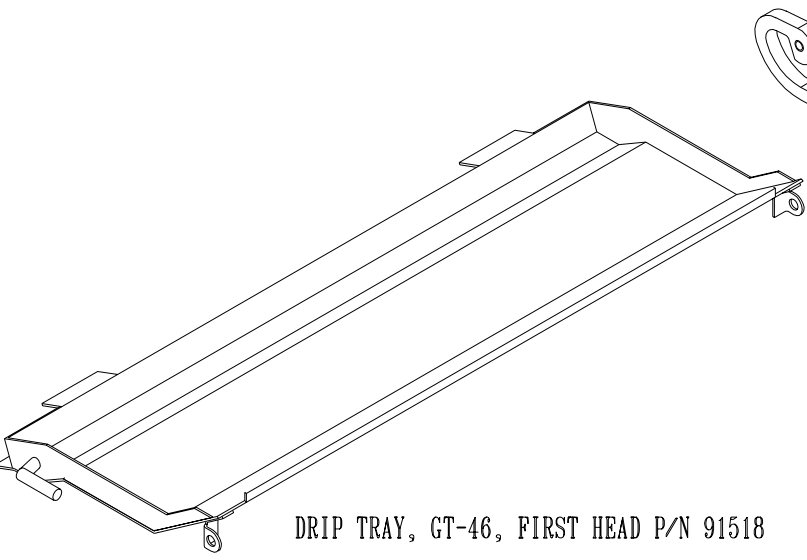
* ITEMS MARKED ARE PART OF AN OUTLINED SUBASSEMBLY

46	95190	Handle, On/Off	01
45	91756	M8 X 25mm Cap Screw	*
44	91538	Spacer, Ink Ductor Crank Arm	01
43	91806	#6-32 Phil Pan Hd Screw	01
42	91545	Compression Spring	02
41	91892	M8 x 35mm Cap Screw	02
40	91966	Washer, .48x.88x.02	02
39	91772	Wave Washer	01
38	91615	Shim, Non-op Side Spindle	07
37	91950	Ø 8mm, Plain Washer	06*
36	91755	M10 x 25mm Cap Screw	04
35	91976	Ø 10mm, Plain Washer	04
34	91758	M8 x 20mm Cap Screw	02
33	91709	Ø6mm x 12mm Shoulder Screw	06
32	91761	M6 x 18mm Cap Screw	06
31	91889	M5 x 10mm Set Screw	03*
30	91894	M8 X 16mm Cap Screw	*
29	91662	Ø12mm Retaining Ring	02
28	91664	Ø20mm Retaining Ring	02
27	91623	Thrust Washer	02
26	90756	T-Allen Kex, 2.5mm	01
25	90758	Ball End Allen Key, 8mm	01
24	95620	Non-Op Side Pan Mount	01
ITEM#	PART #	DESCRIPTION	QTY

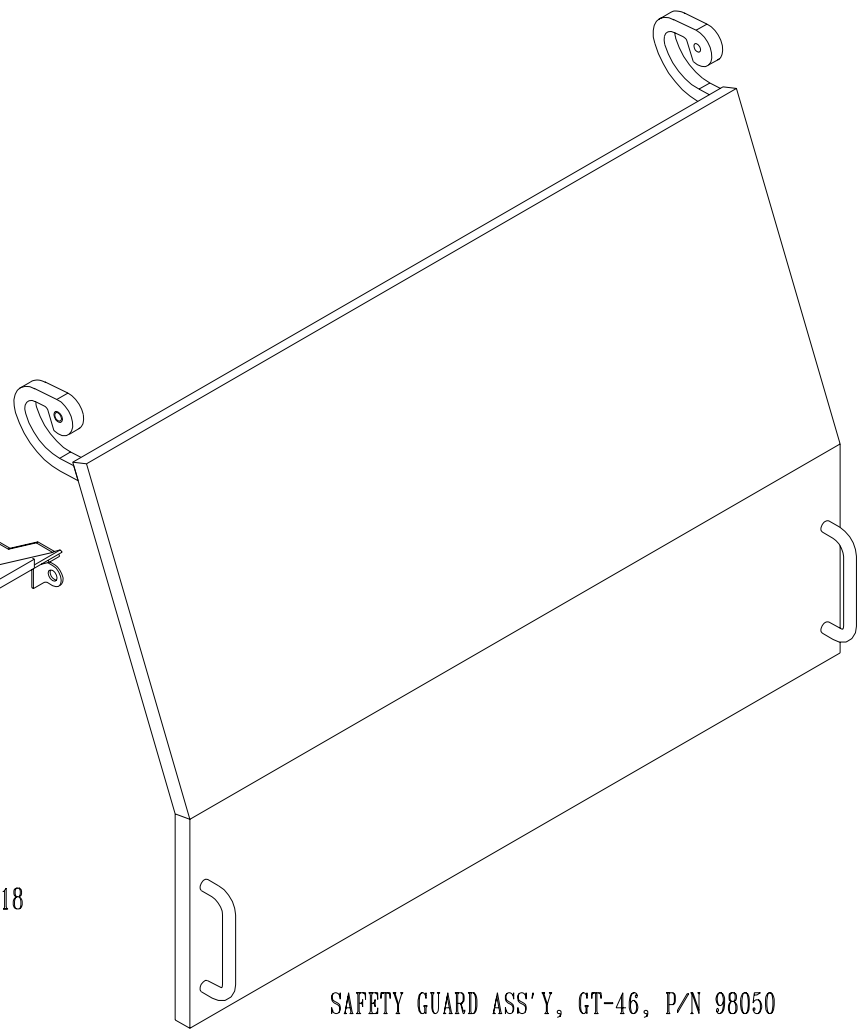
23	91529	Hose Clip, Ø3/4"	03
22	91528	Plastic Hose, Ø1/2"	01
21	91521	Auto Latch Pin	01
20	92056	Clutch Bearing	02
19	95610	Op Side Pan Mount	01
18	91522	Bearing Ø20 x Ø37 x 9	02
17	93468	Blanking Plug, 2"	01
16	91516	Spacer, Pivot Block	02
15	91515	Spacer, Link	02
14	91514	ON/OFF Spring	02
13	91619	Bearing Housing, GT 46/52	01
12	91512	Fixing Block	02
11	91511	Adjust Eccentric	02
10	92586	Bearing Ø12 x Ø32 x 10	02
09	91618	Drive Gear, GT 46/52	01
08	91508	Stripe Limit Boss	02
07	91507	ON/OFF Link	02
06	91506	Pivot Block, Op Side	01
05	91505	Pivot Block Non-Op Side	01
04	91504	Non-Op Side Spindle	01
03	91622	Drive Spindle	01
02	91502	Bracket Non-Op Side	01
01	91501	Bracket Op-Side	01
ITEM#	PART #	DESCRIPTION	QTY



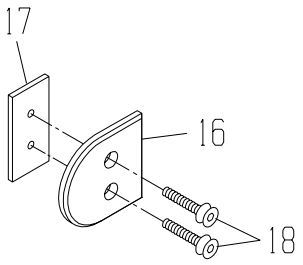
DRIP TRAY, GT-46, P/N 91534



DRIP TRAY, GT-46, FIRST HEAD P/N 91518

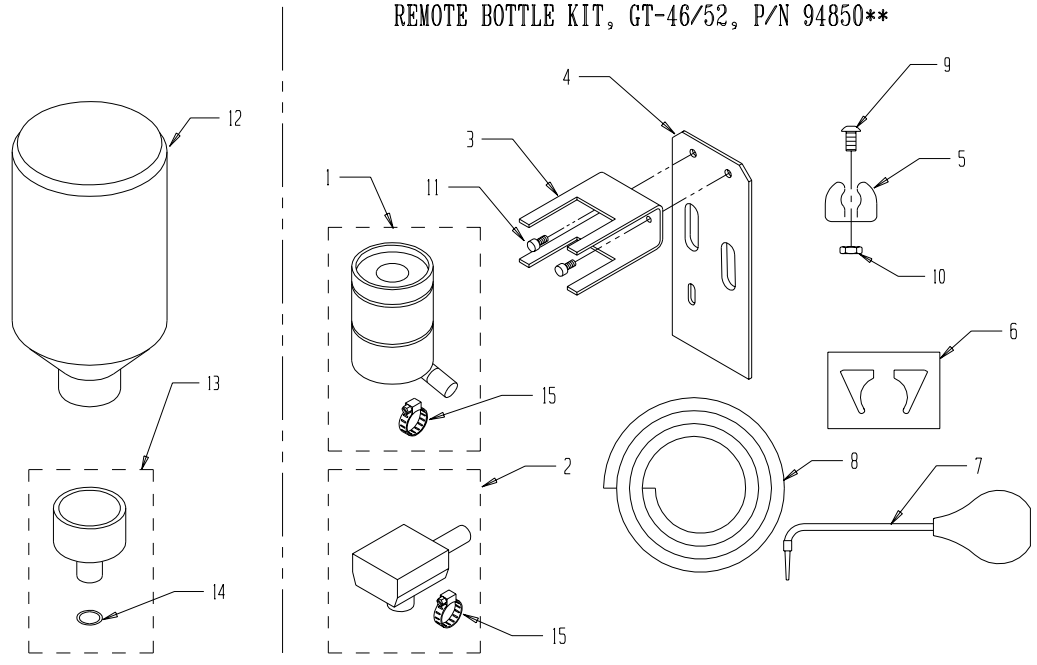


SAFETY GUARD ASS'Y, GT-46, P/N 98050



* PART IS INCLUDED IN OUTLINED SUBASSEMBLY
 ** THE REMOTE BOTTLE KIT (P/N 94850) INCLUDES ITEMS #1-11

REMOTE BOTTLE KIT, GT-46/52, P/N 94850**



18	91898	M5 X 35mm Cap Screw	02
17	98055	Plate, Backing, Plug	01
16	98012	Plug, Blanking	01
15	91911	1/4-25/32 Adjustable Clamp	*
14	92765	O-Ring	*
13	92760	Dispensing Valve Assy	02
12	92772	Fountain Bottle, Large	02
11	91765	M5x12mm Button Hd Screw	02
10	91968	10-24 Hex Nut, Full	01
09	91819	10-24 x 1/2 Cap Screw	01
08	92756	1/2" ID Vinyl Tubing	12"
07	92779	Assy, Syringe, Lg. Neck	01
06	90850	Seal Set	01
05	91672	Spring Clip	01
04	91517	Remote Bottle Plate	01
03	92749	Universal Bottle Brckt	01
02	92750	Adapter Base Assy	01
01	92740	Bottle Valve Assy	01
ITEM#	PART #	DESCRIPTION	QTY