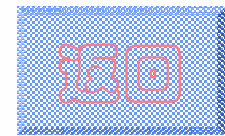
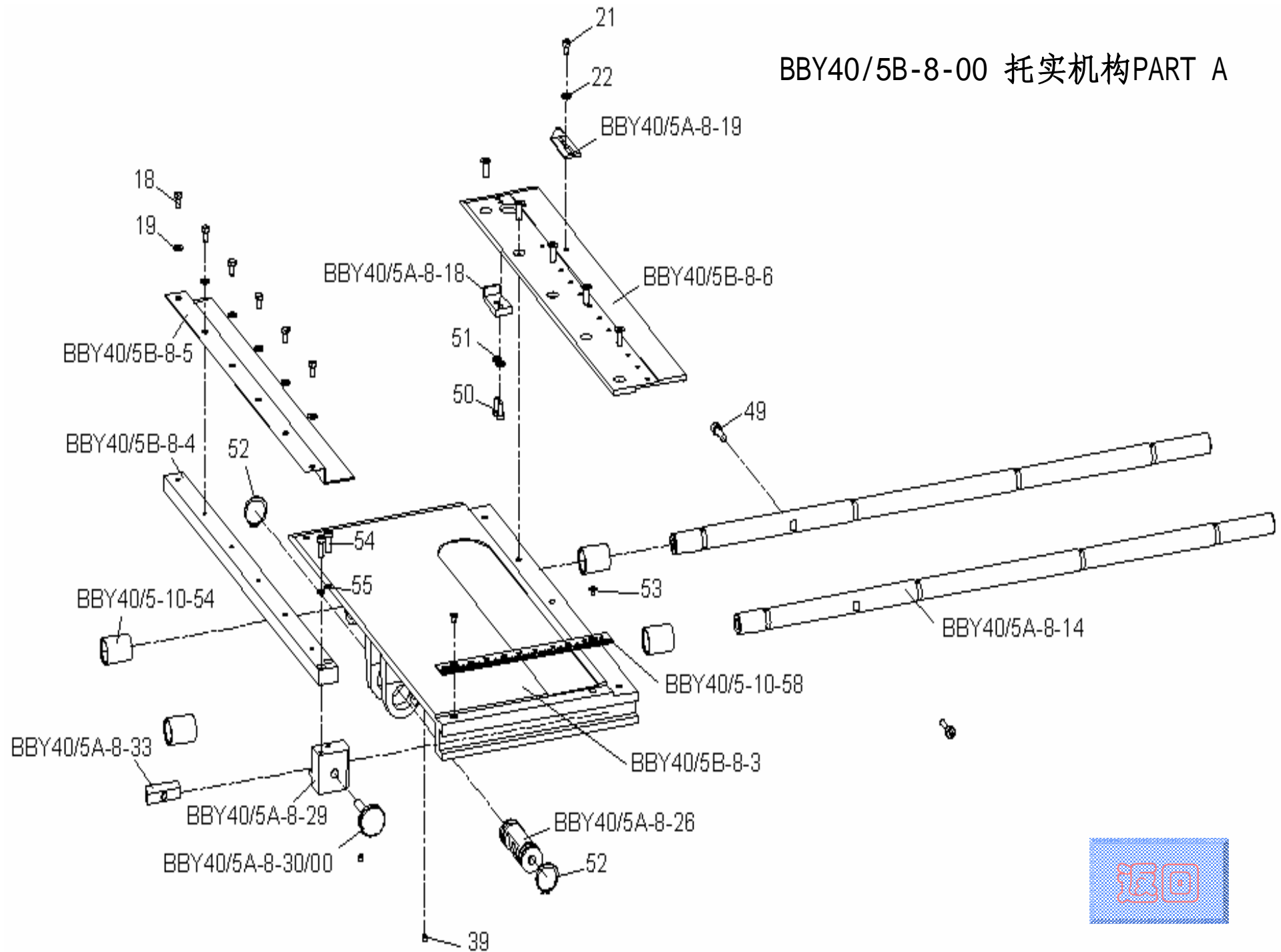
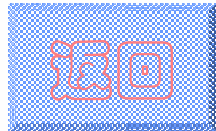
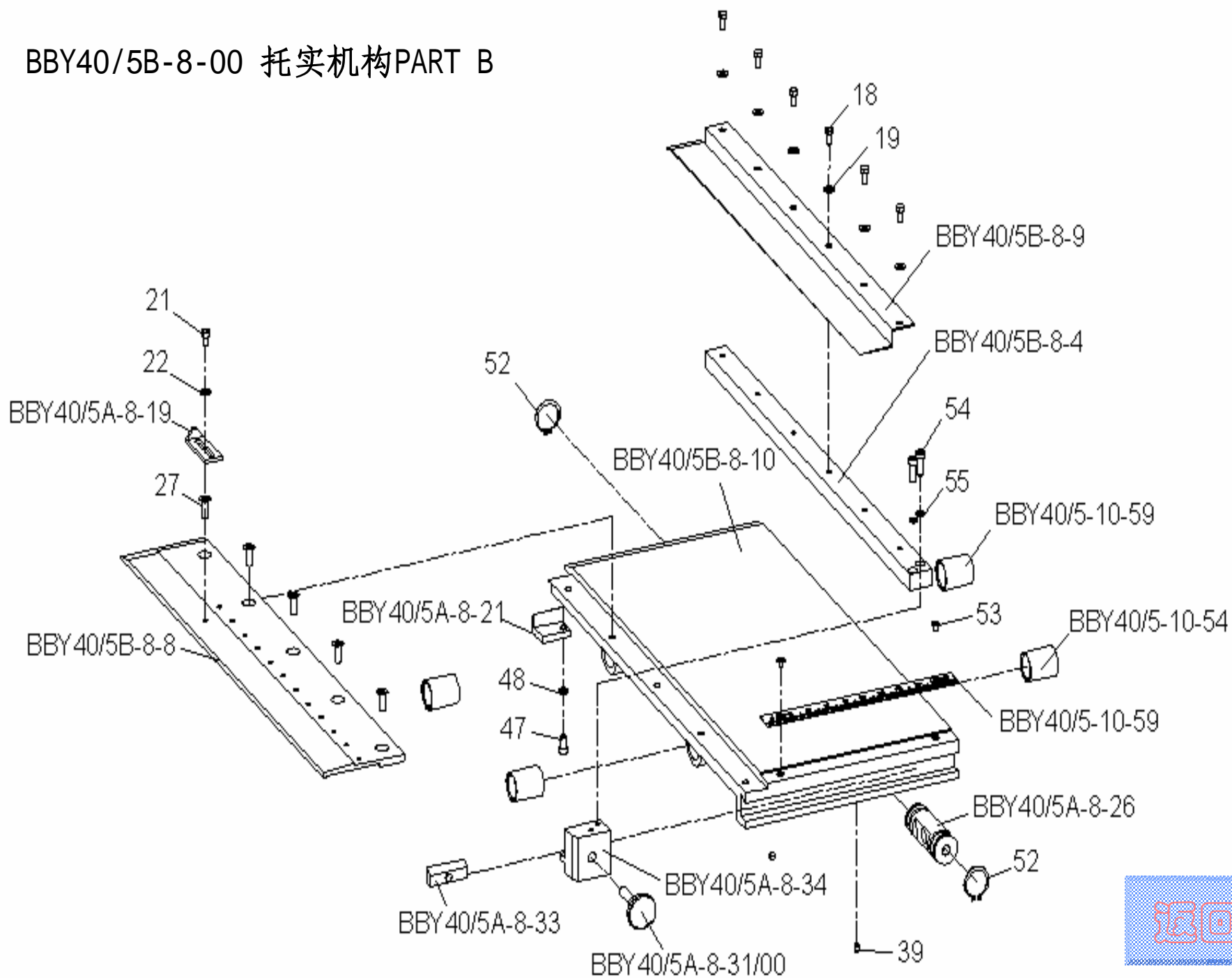


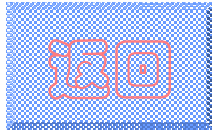
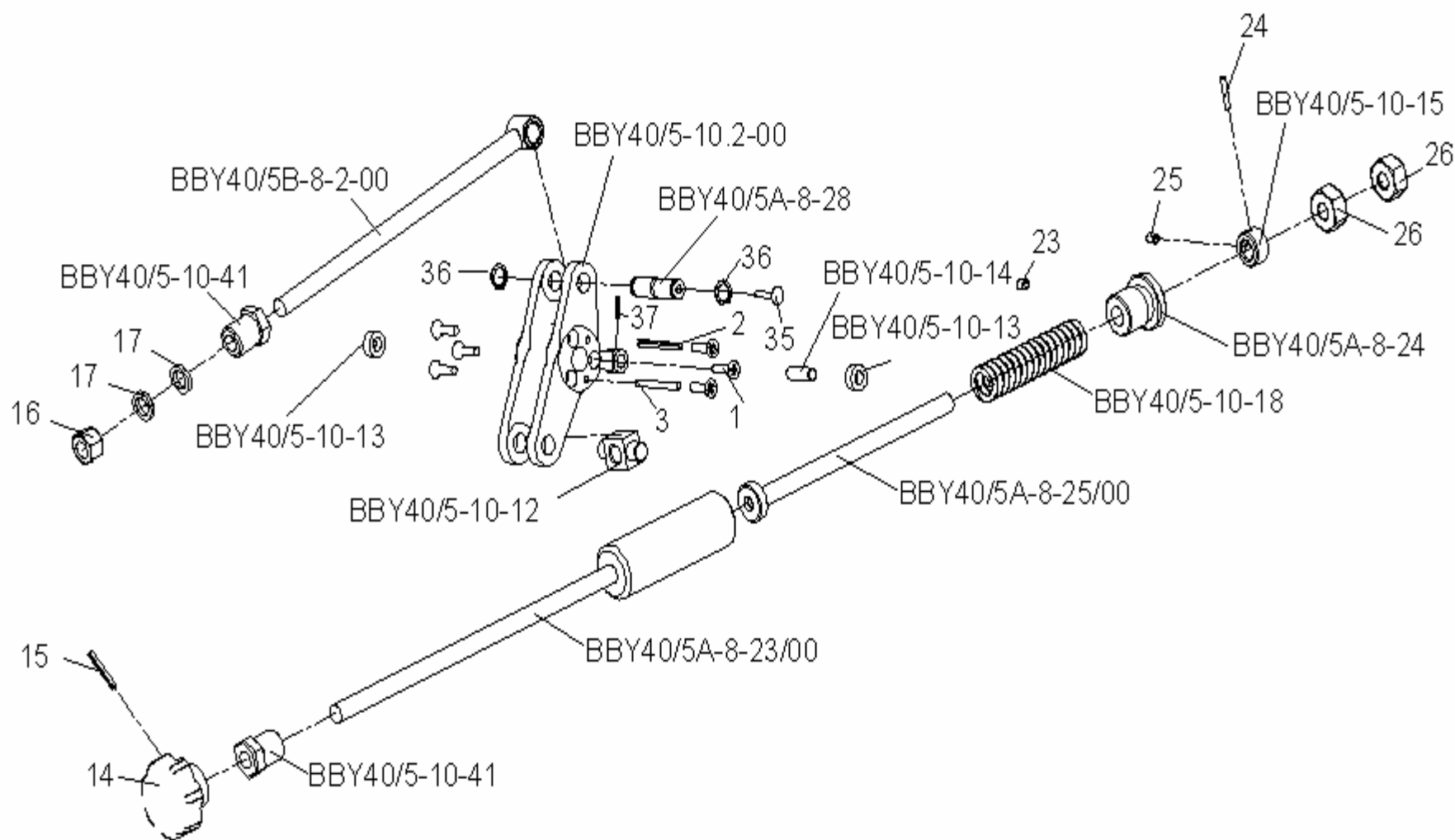
BBY40/5B-8-00 托实机构PART A



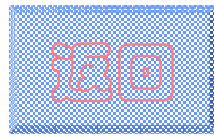
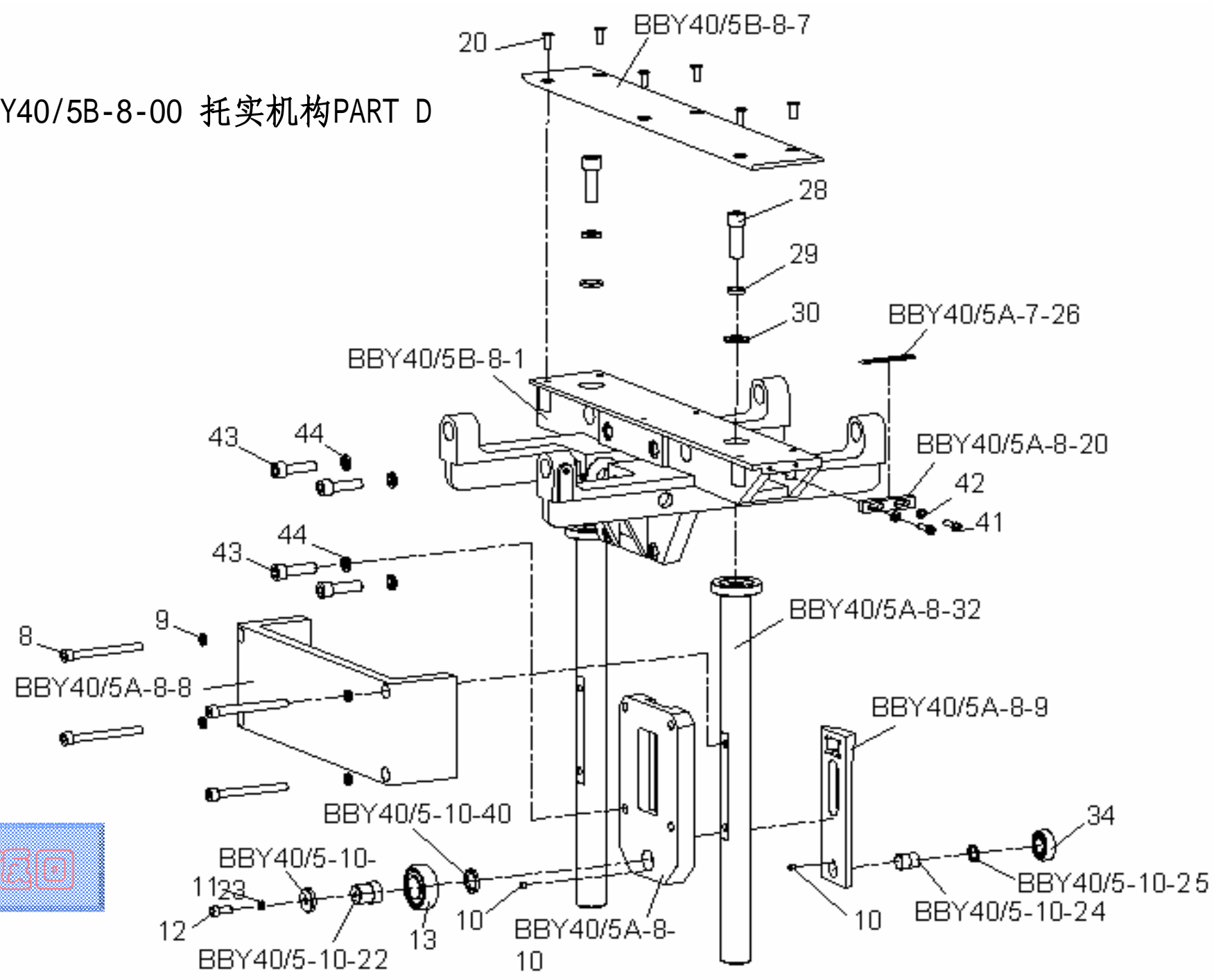
BBY40/5B-8-00 托实机构PART B



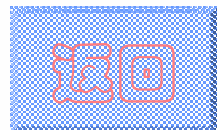
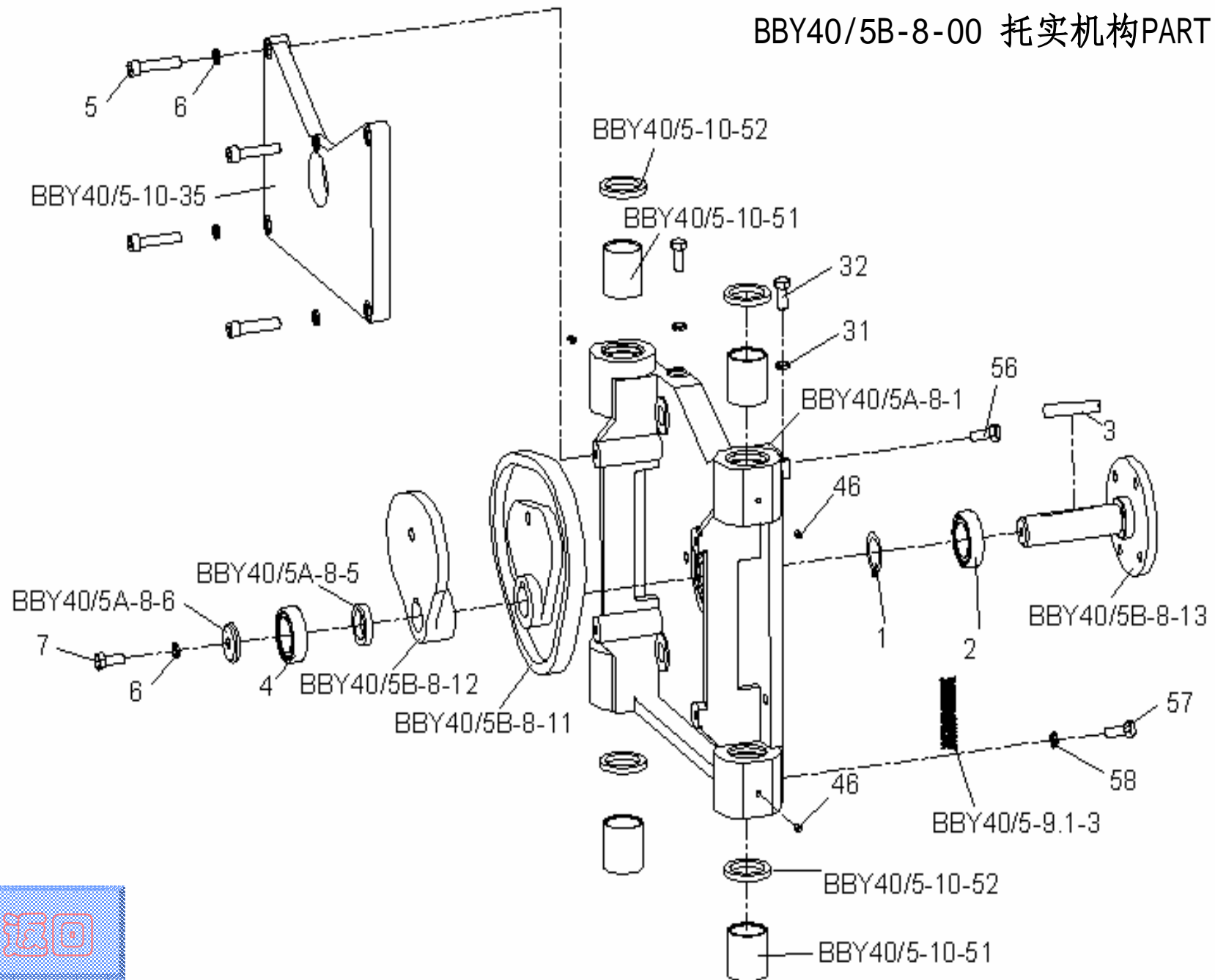
BBY40/5B-8-00 托实机构PART C



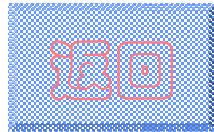
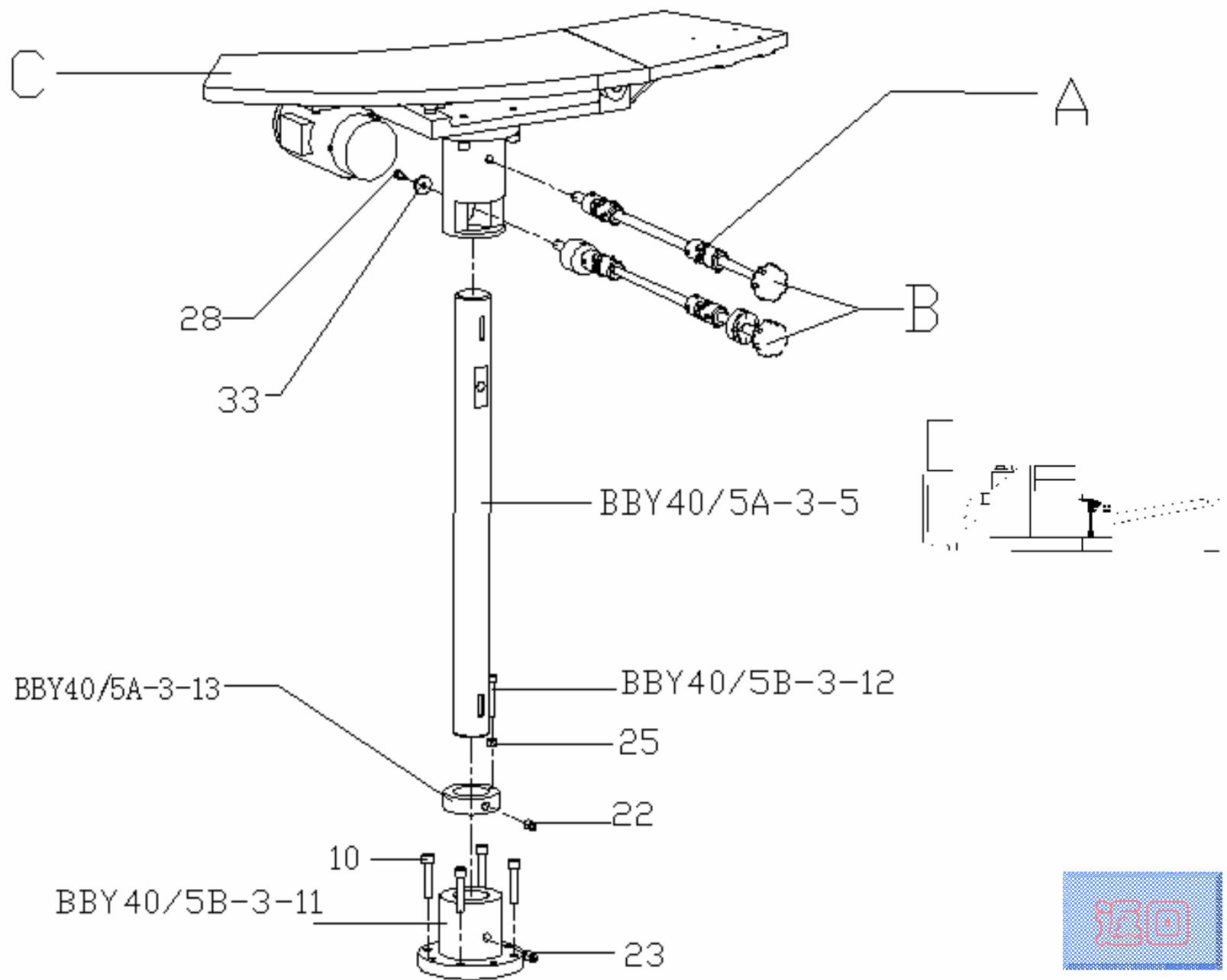
BBY40/5B-8-00 托实机构PART D

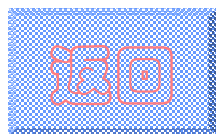
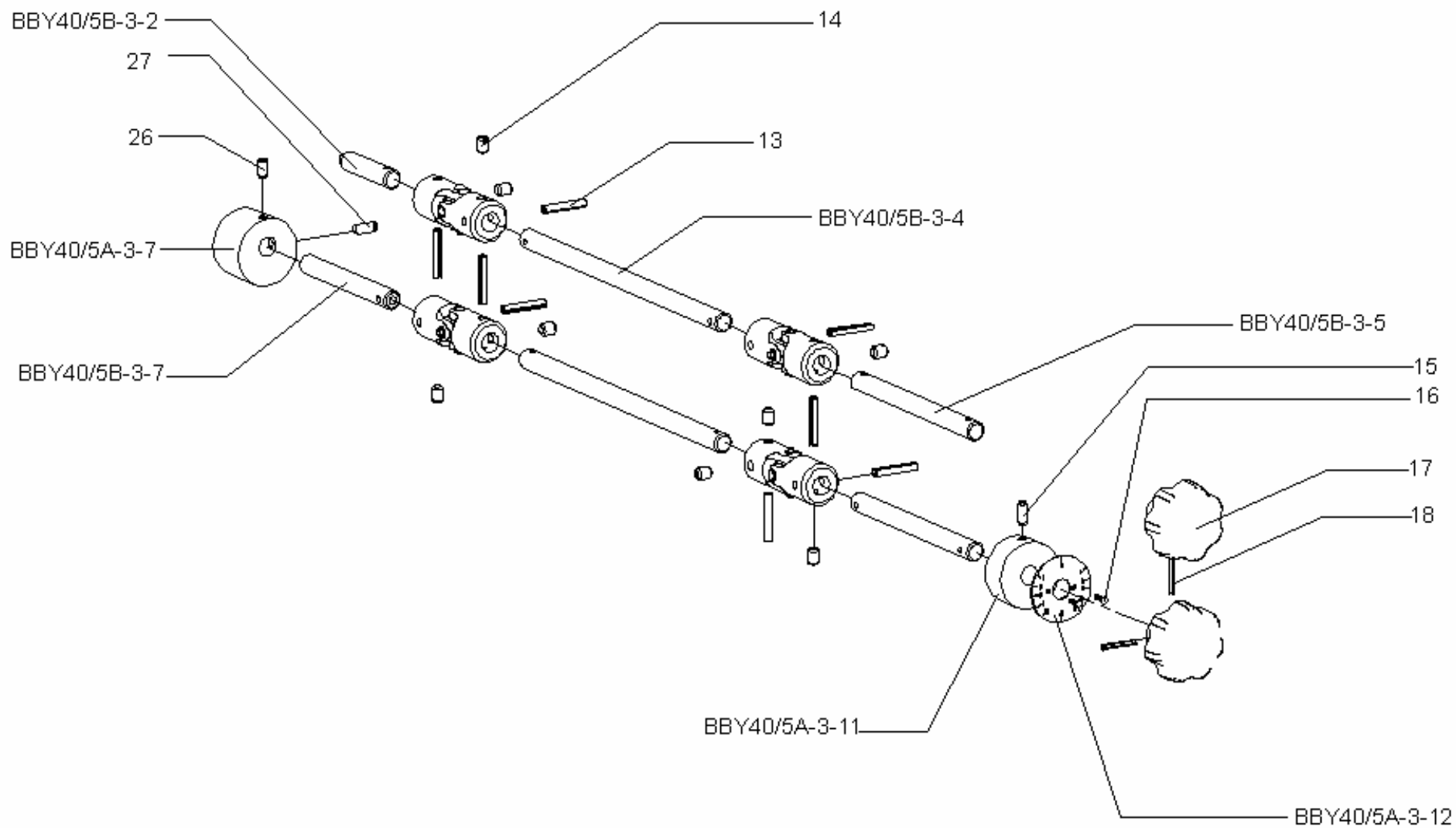


BBY40/5B-8-00 托实机构PART E

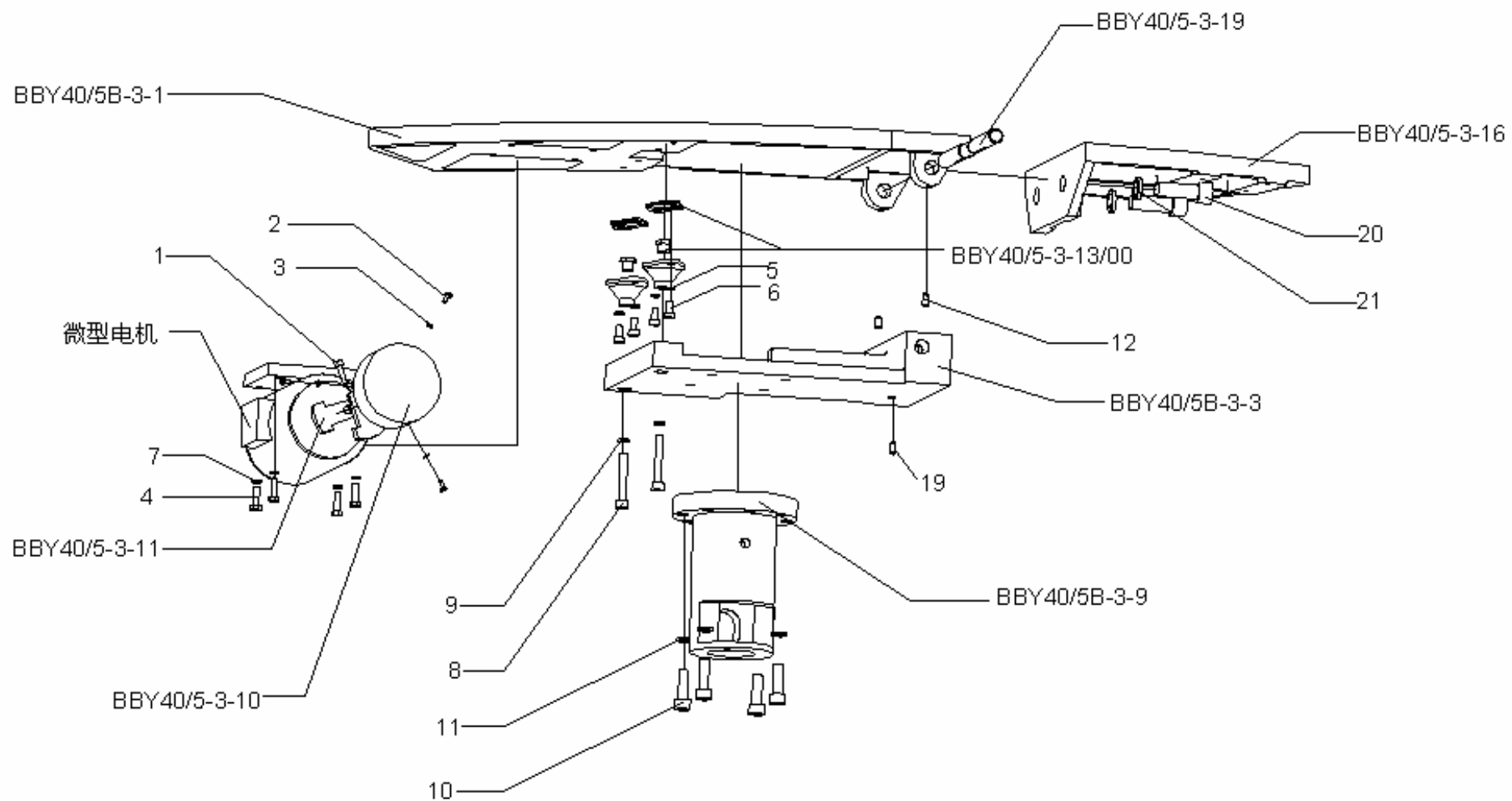


BBY40/5B-3-00 第一次落书机构

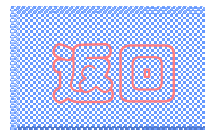




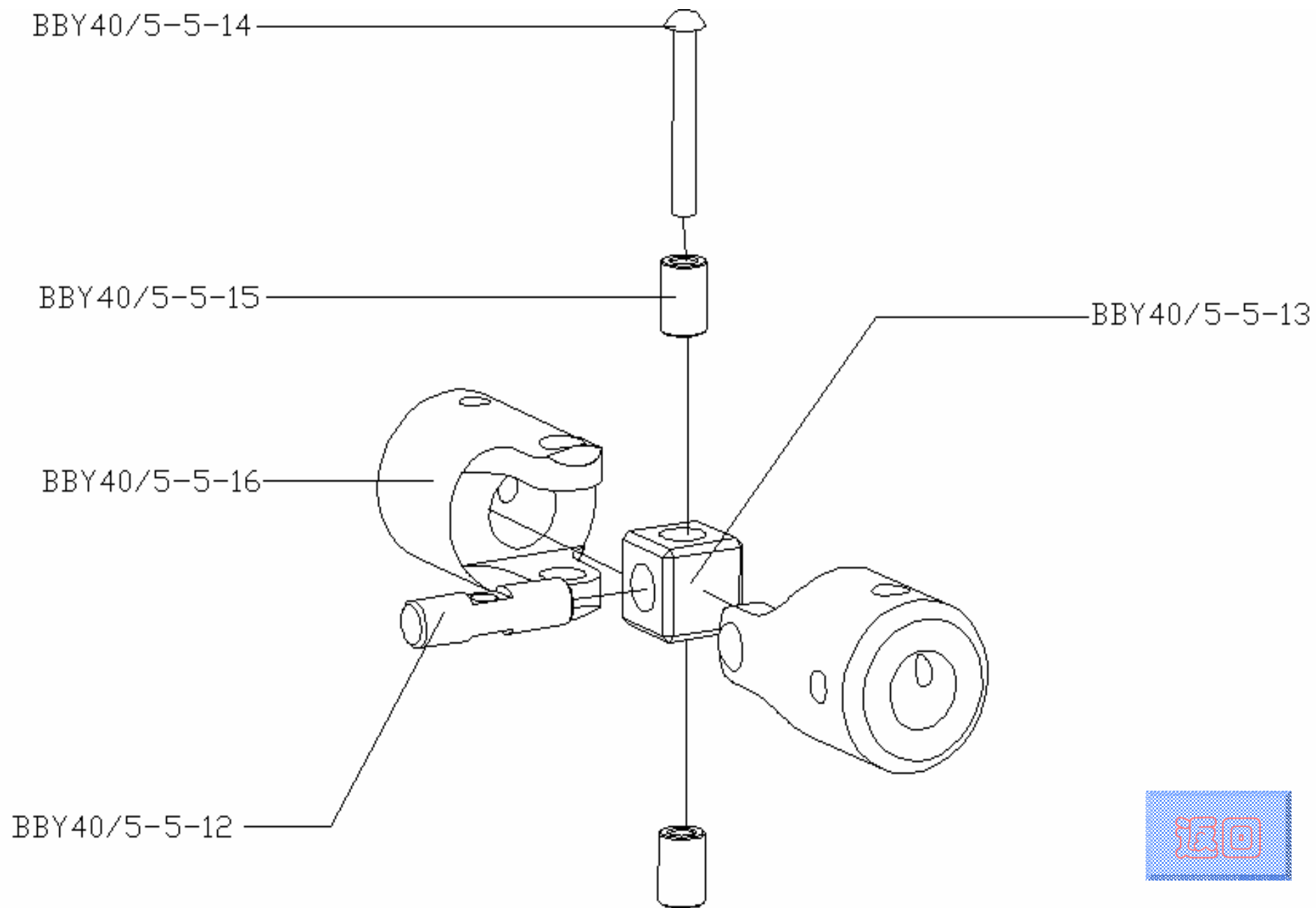
BBY40/5B-3-00 第一次落书机构 PART B



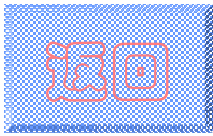
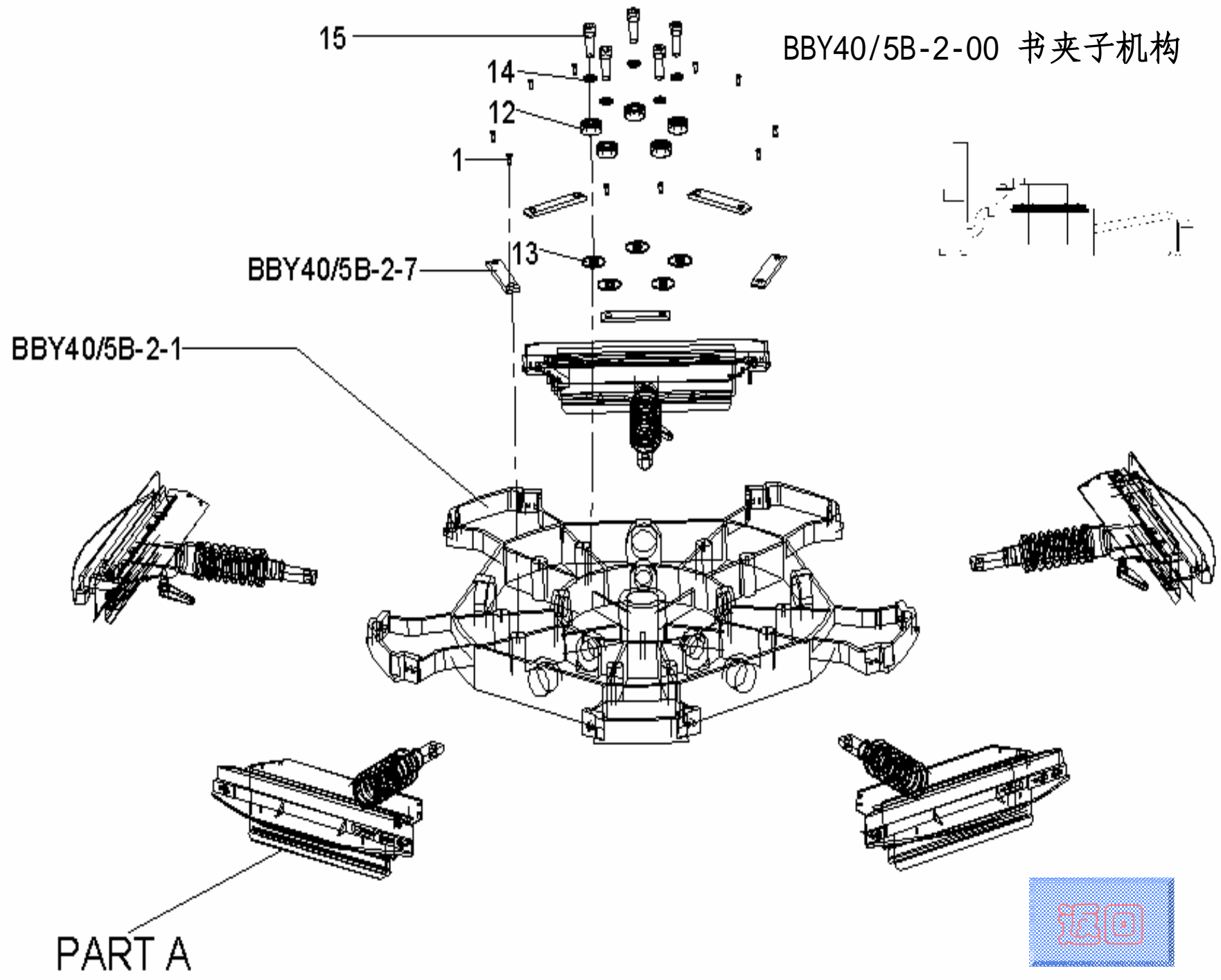
BBY40/5B-3-00 第一次落书机构 PART C



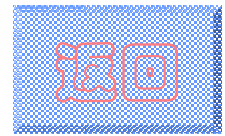
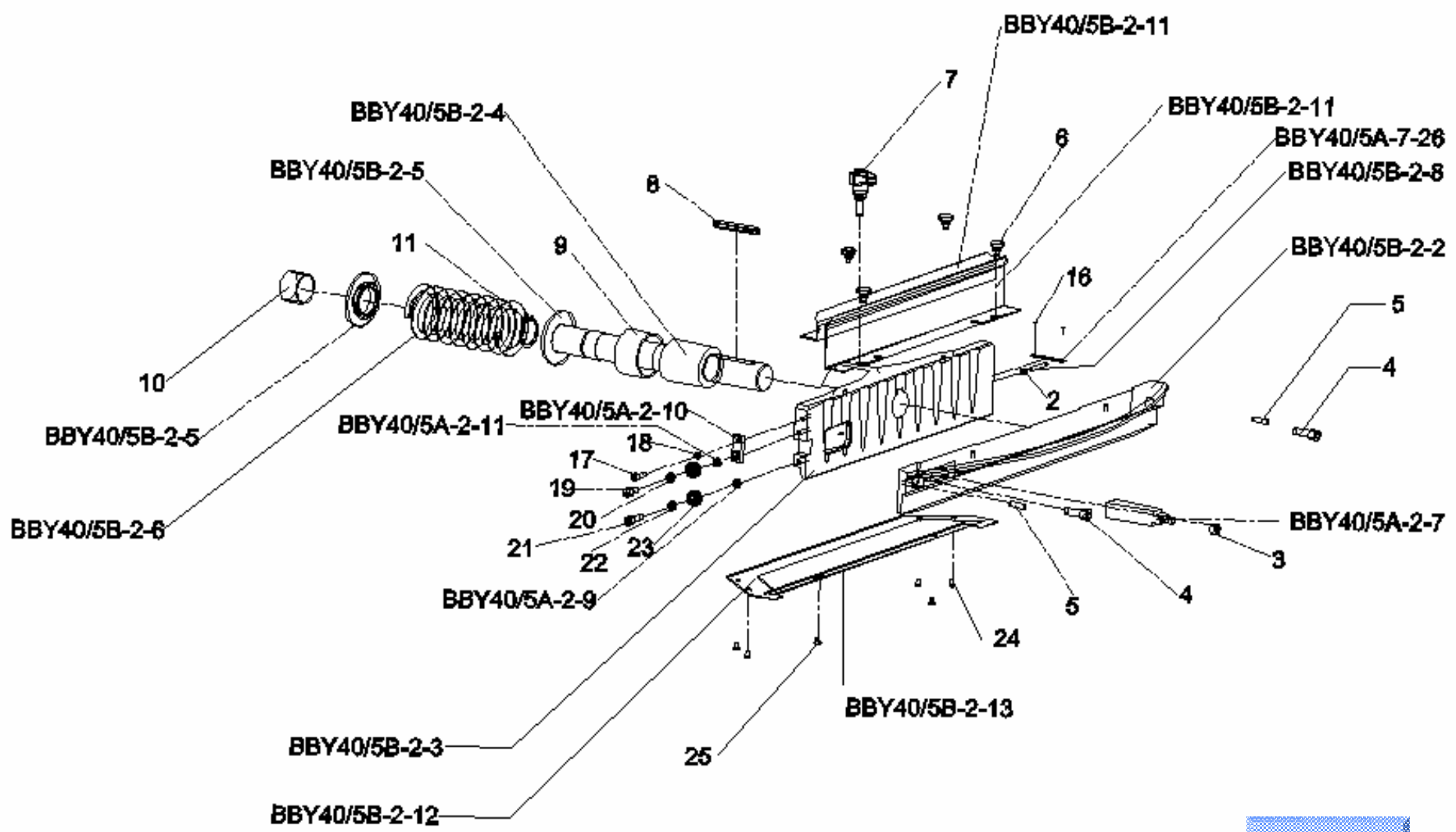
BBY40/5B-3-00 第一次落书机构 PART A



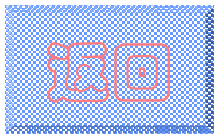
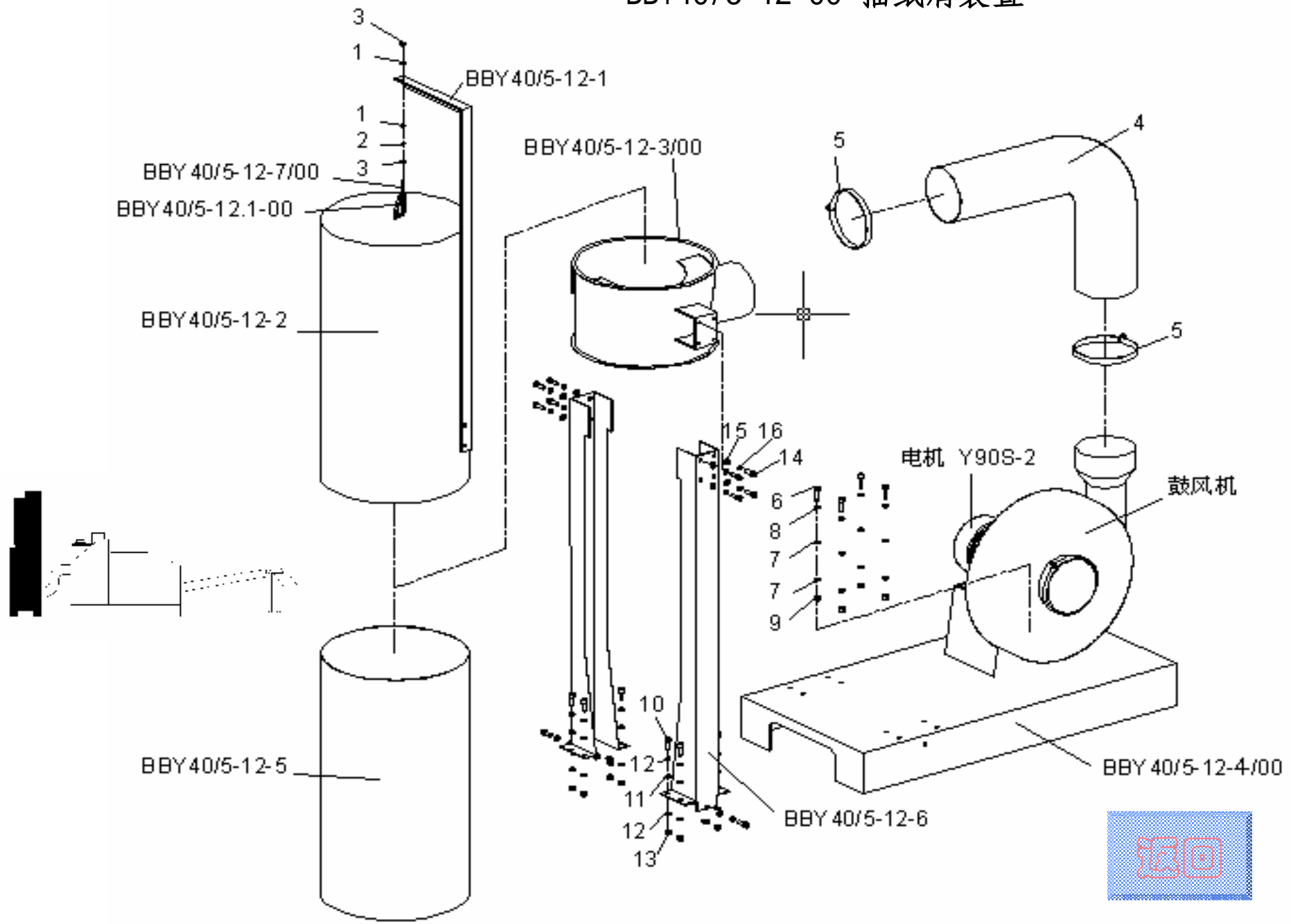
BBY40/5B-2-00 书夹子机构



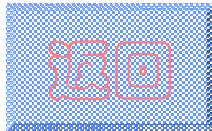
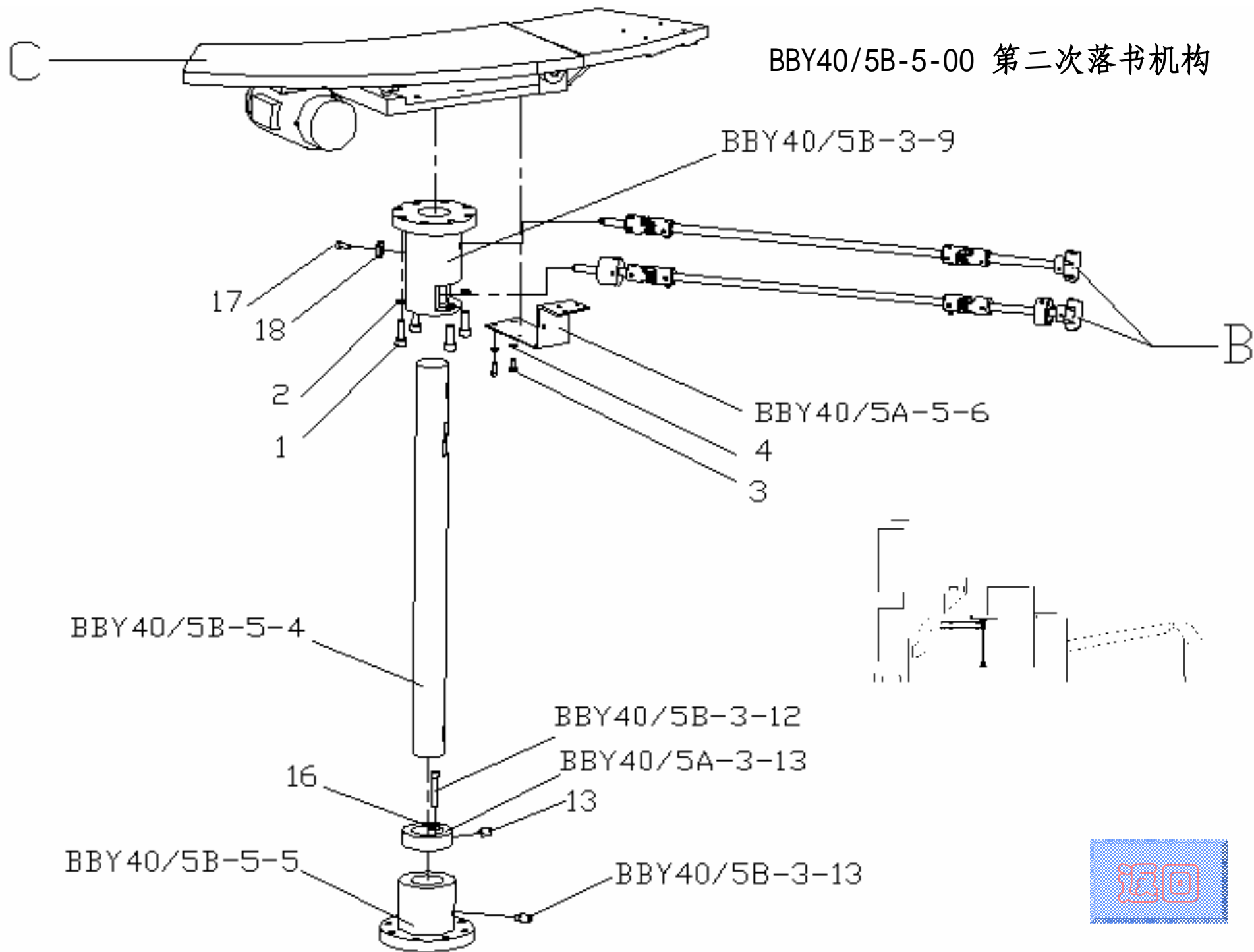
BBY40/5B-2-00 书夹子机构 PART A



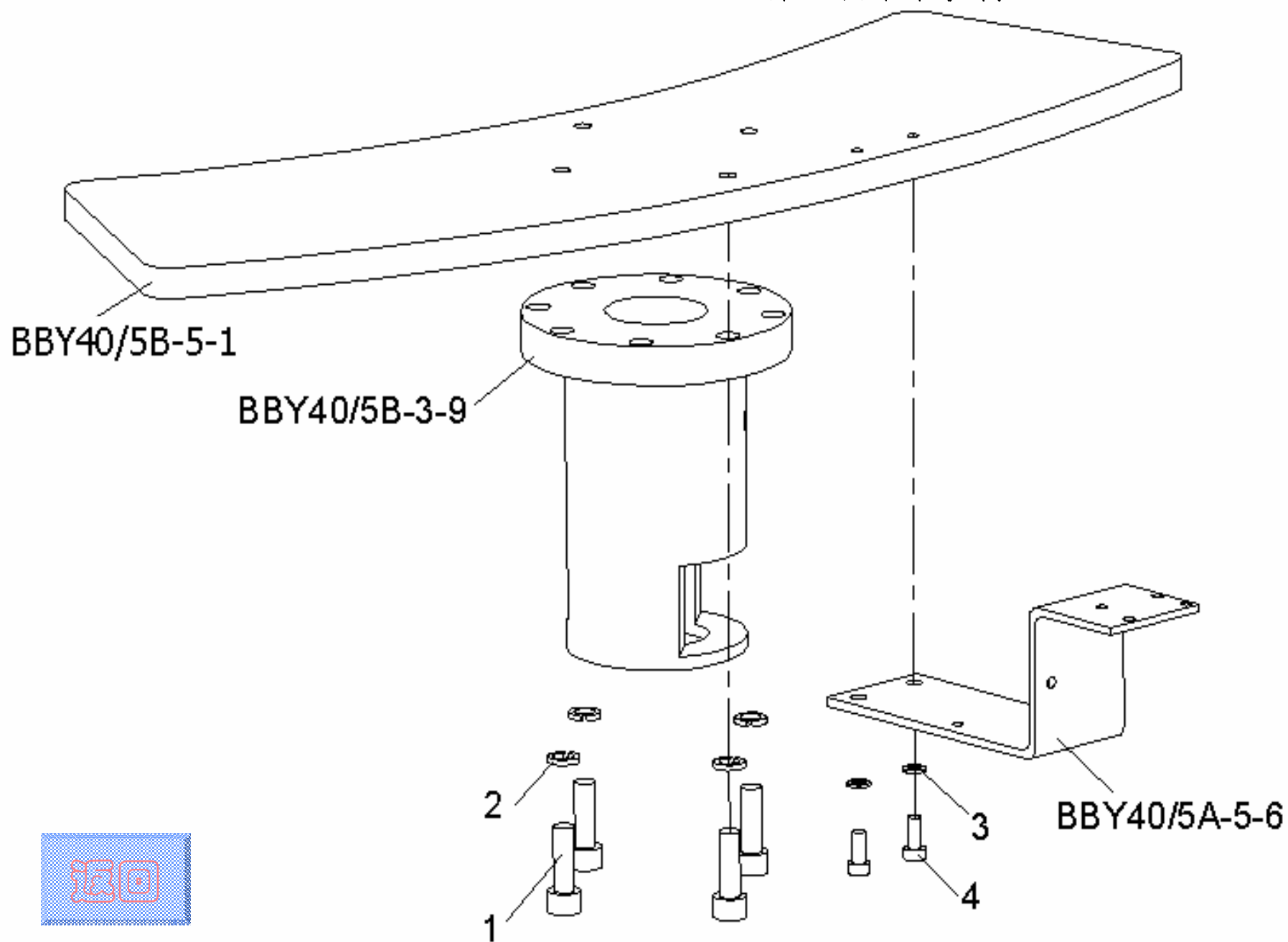
BBY40/5-12-00 抽纸屑装置

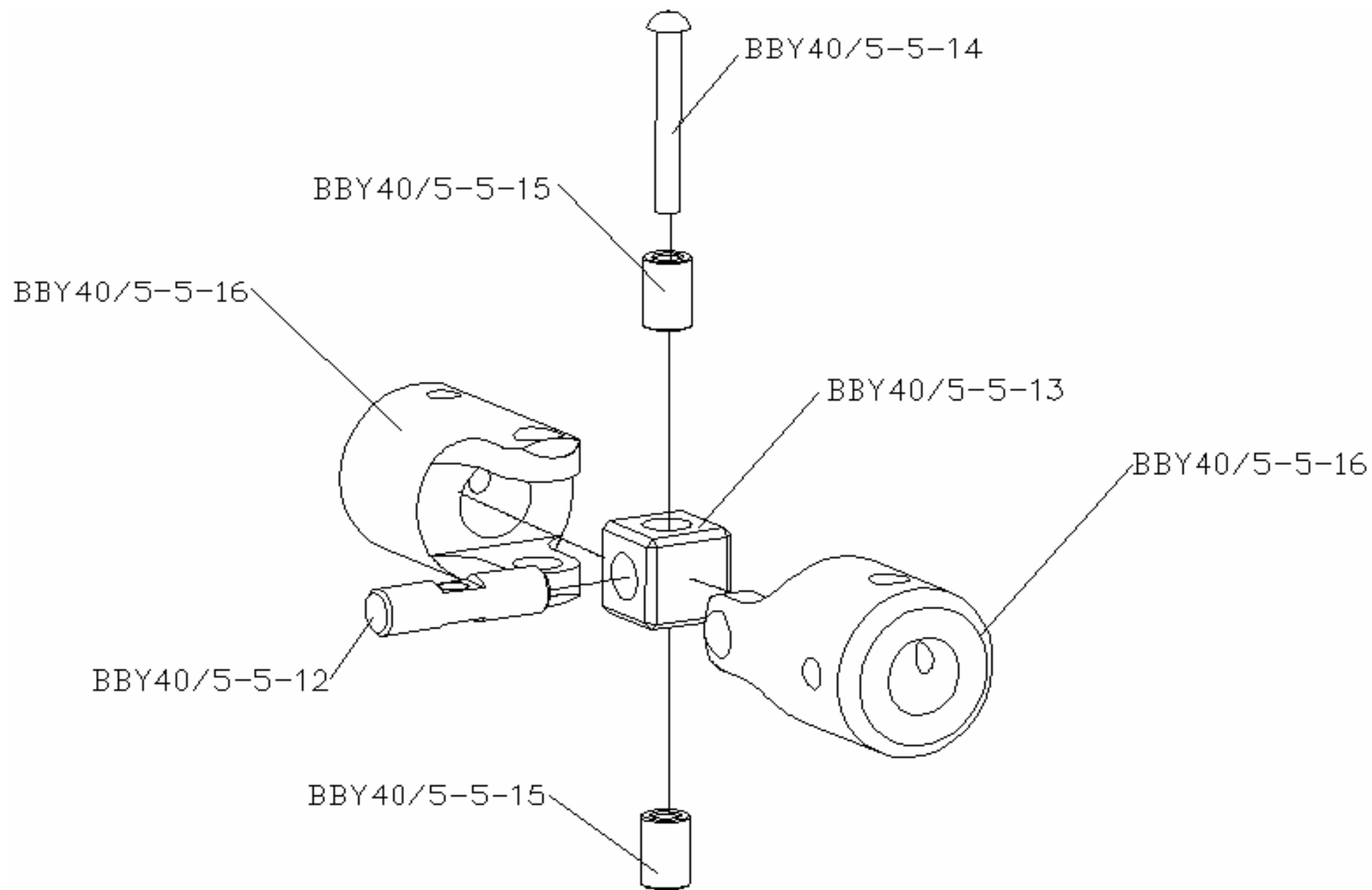


BBY40/5B-5-00 第二次落书机构

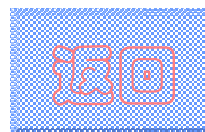


BBY40/5B-5-00 第二次落书机构 PART C

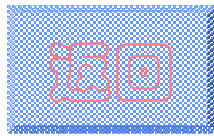
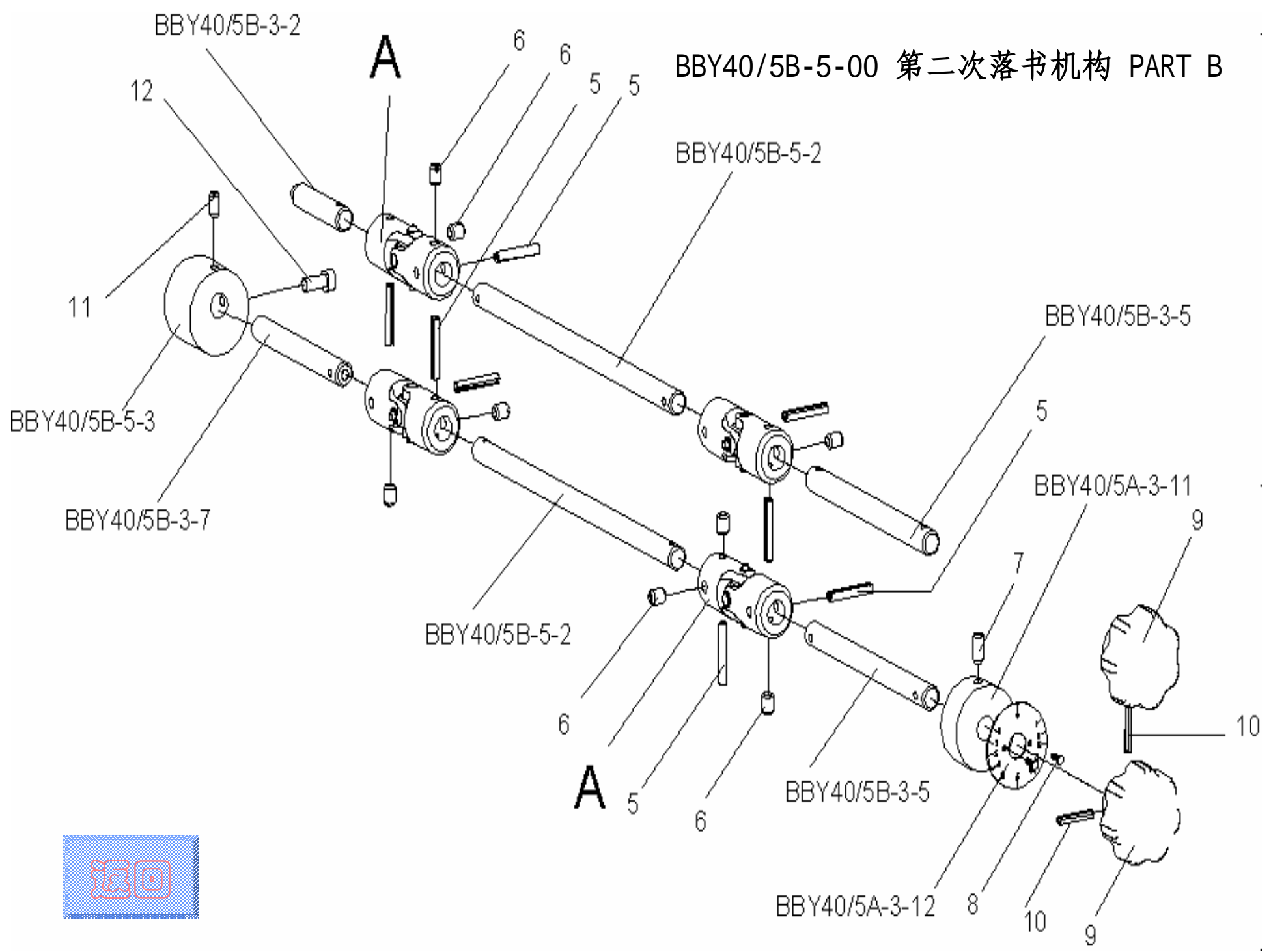




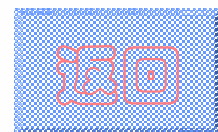
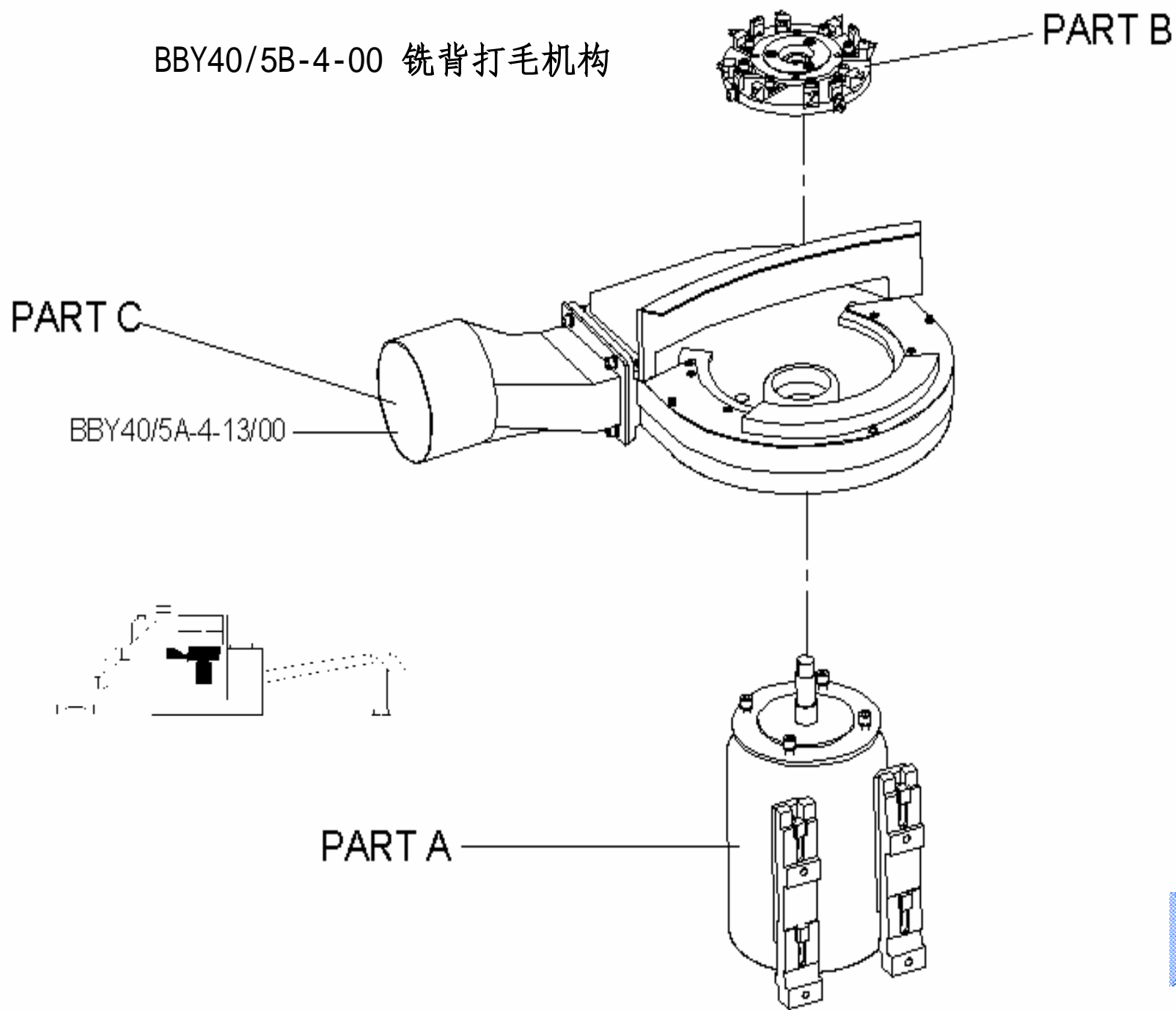
BBY40/5B-5-00 第二次落书机构 PART A

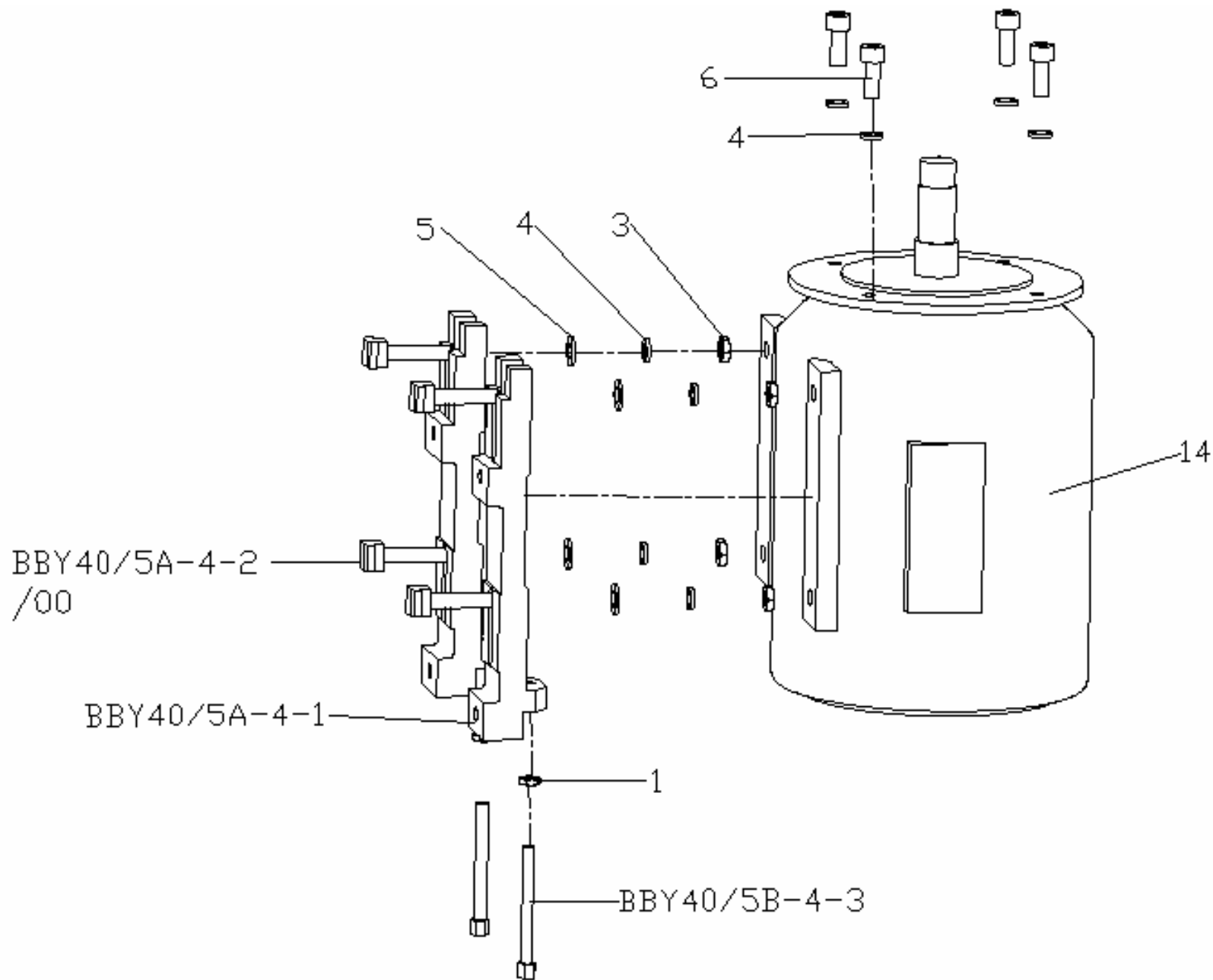


BBY40/5B-5-00 第二次落书机构 PART B

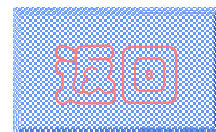


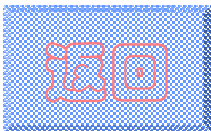
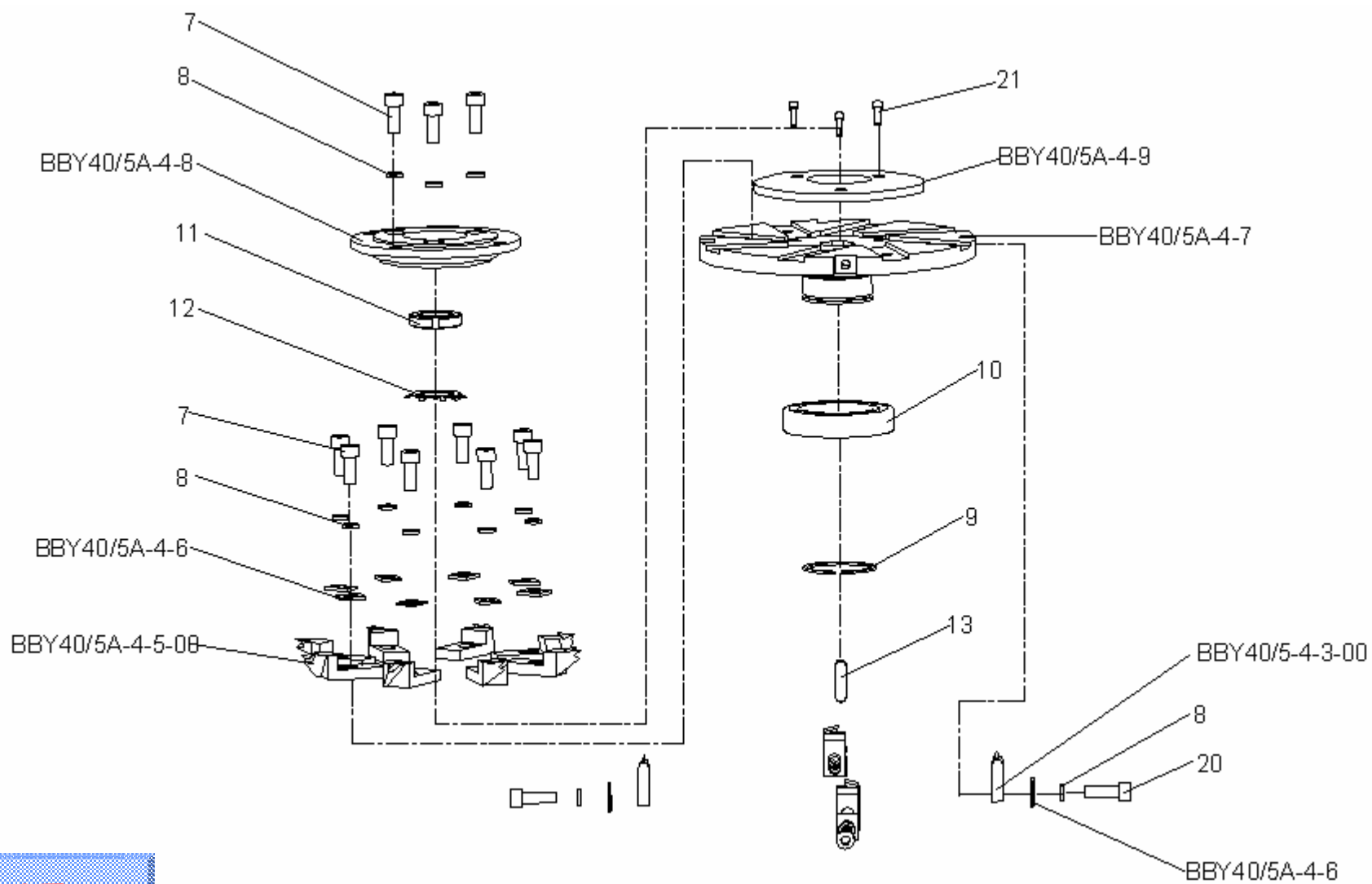
BBY40/5B-4-00 铣背打毛机构



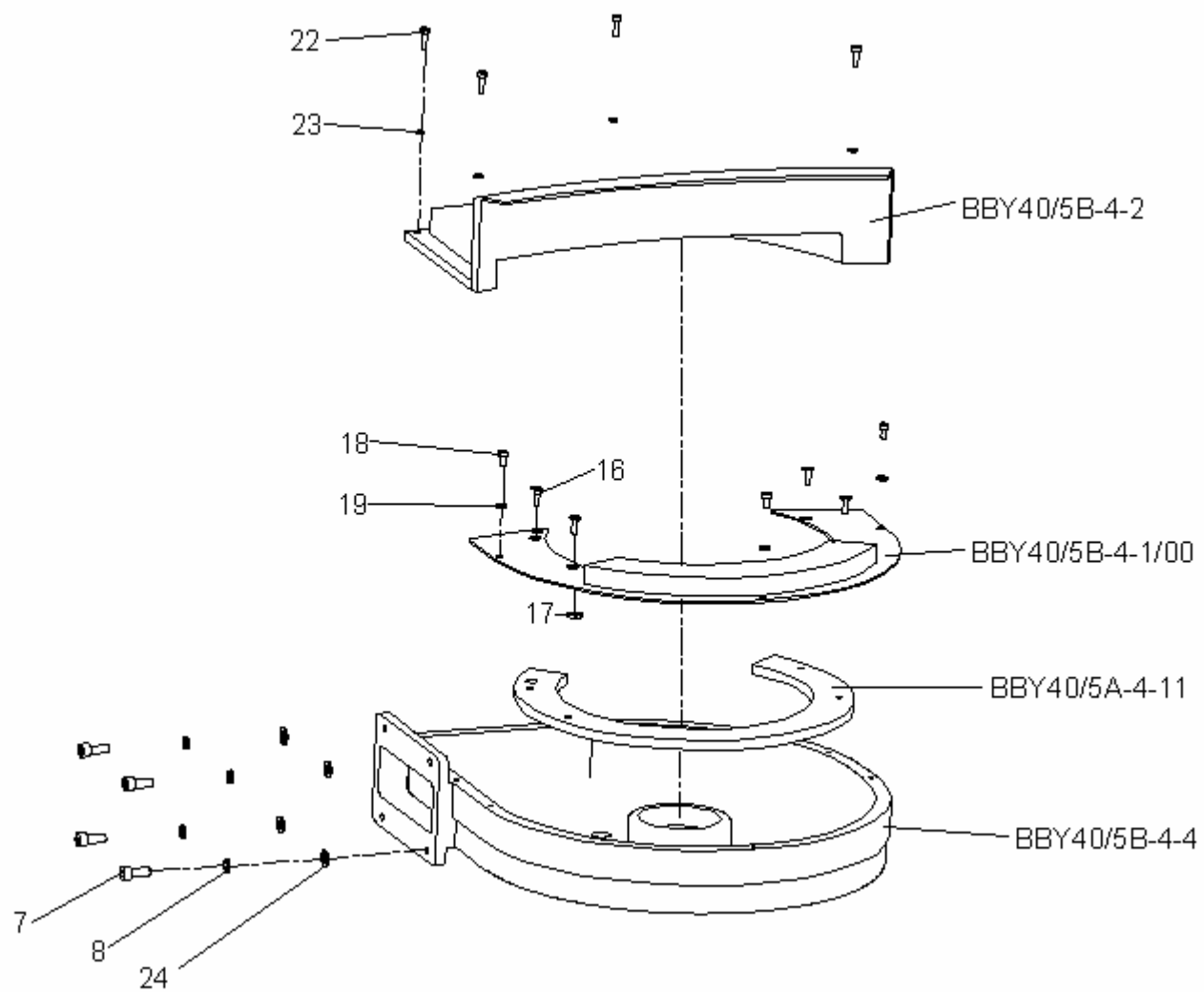


BBY40/5B-4-00 铣背打毛机构 PART A

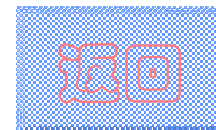




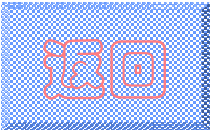
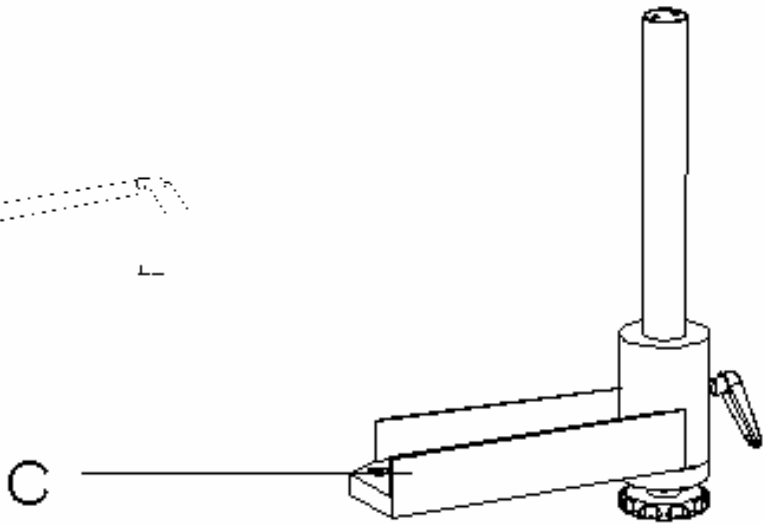
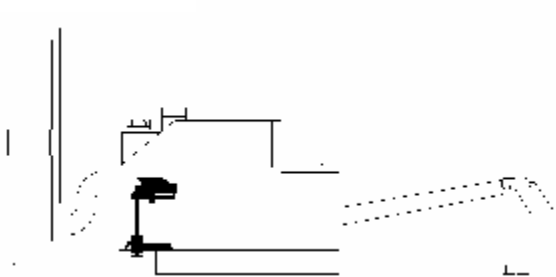
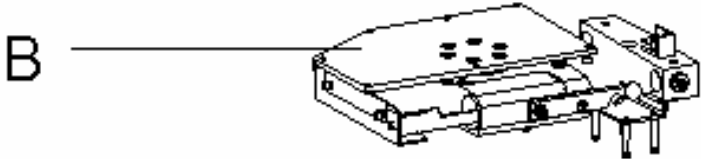
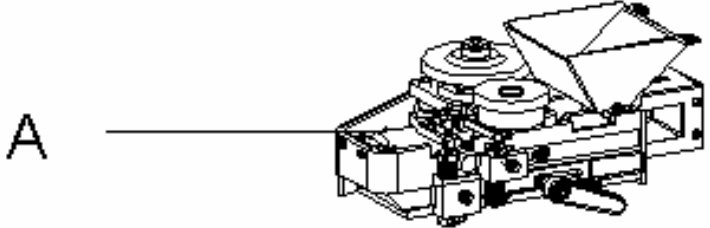
BBY40/5B-4-00 铣背打毛机构 PART B

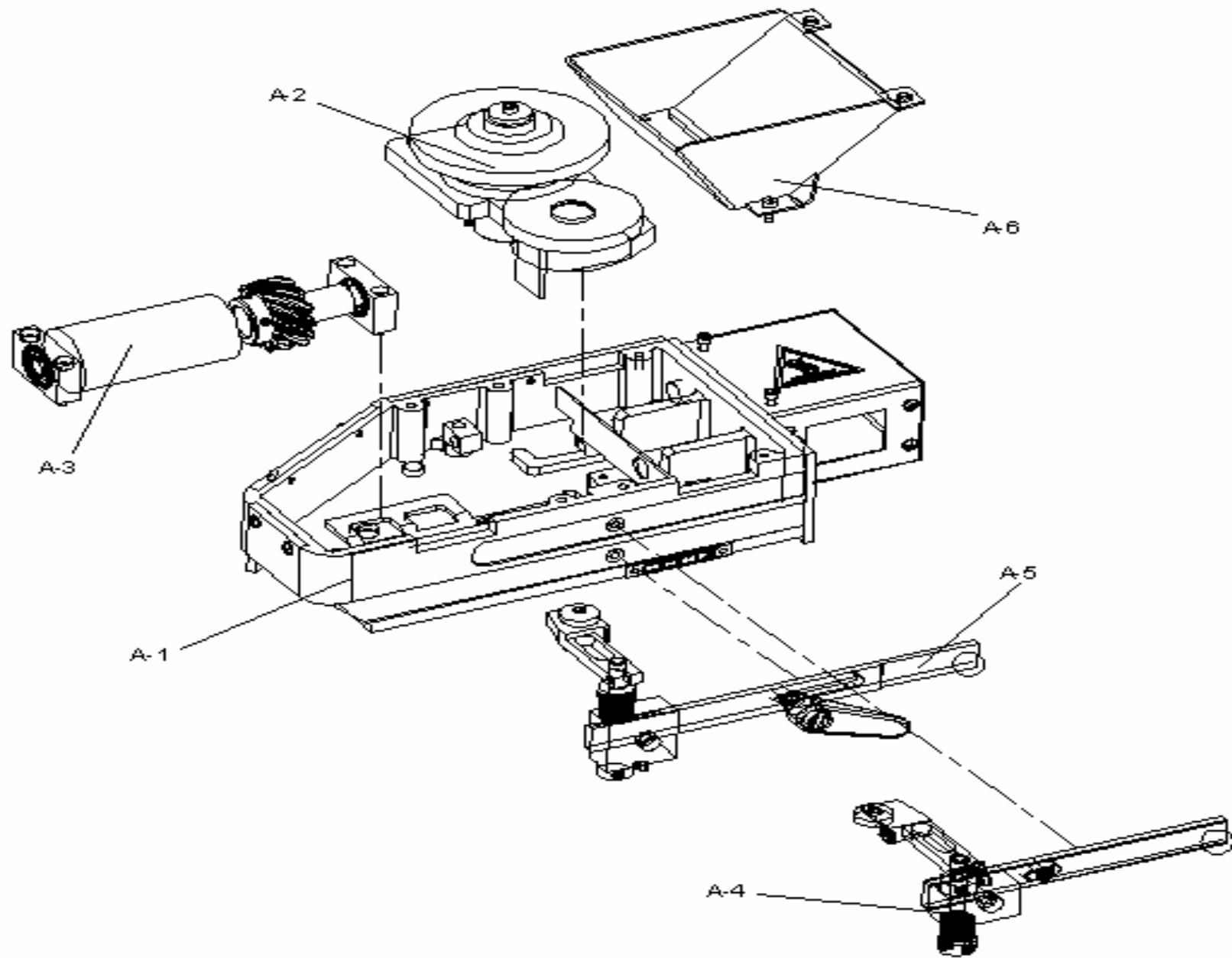


BBY40/5B-4-00 铣背打毛机构 PART C

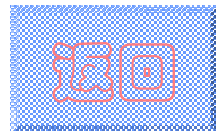


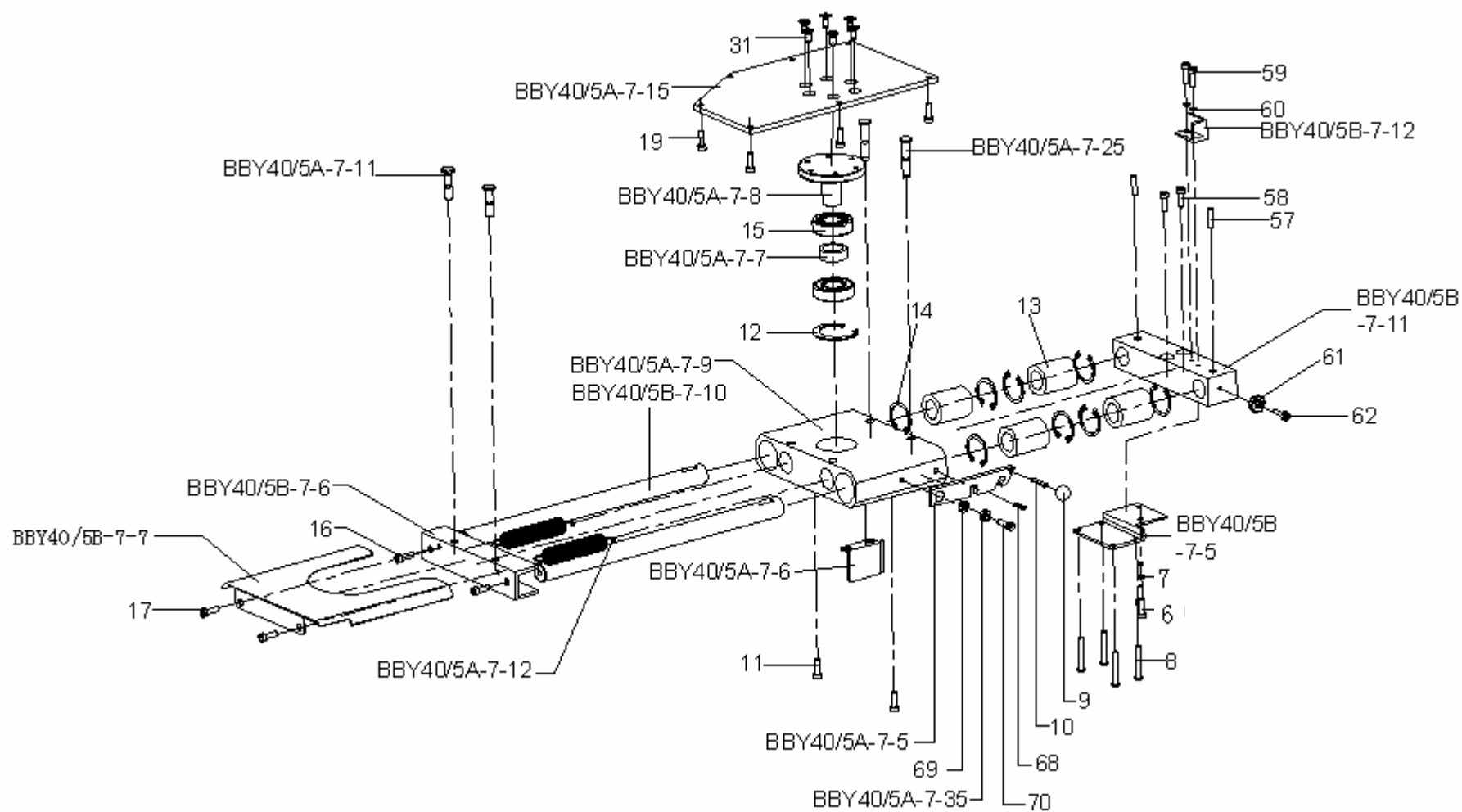
BBY40/5B-7-00 侧胶装置



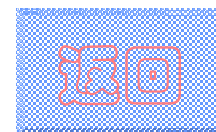


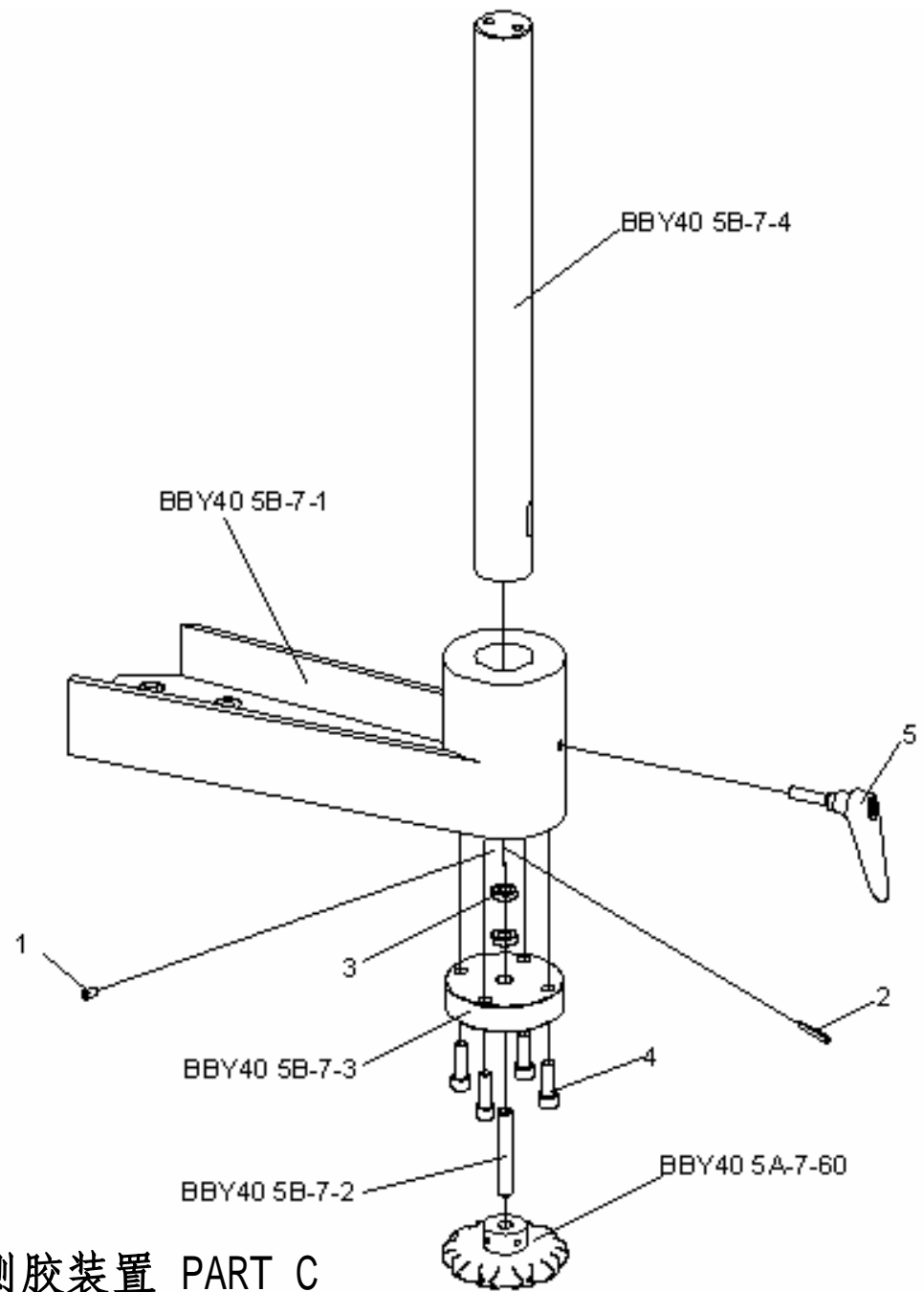
BBY40/5B-7-00 侧胶装置 PART A



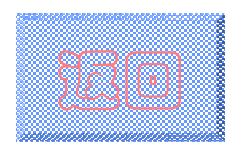


BBY40/5B-7-00 侧胶装置 PART B

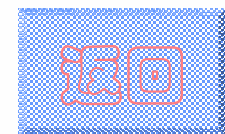
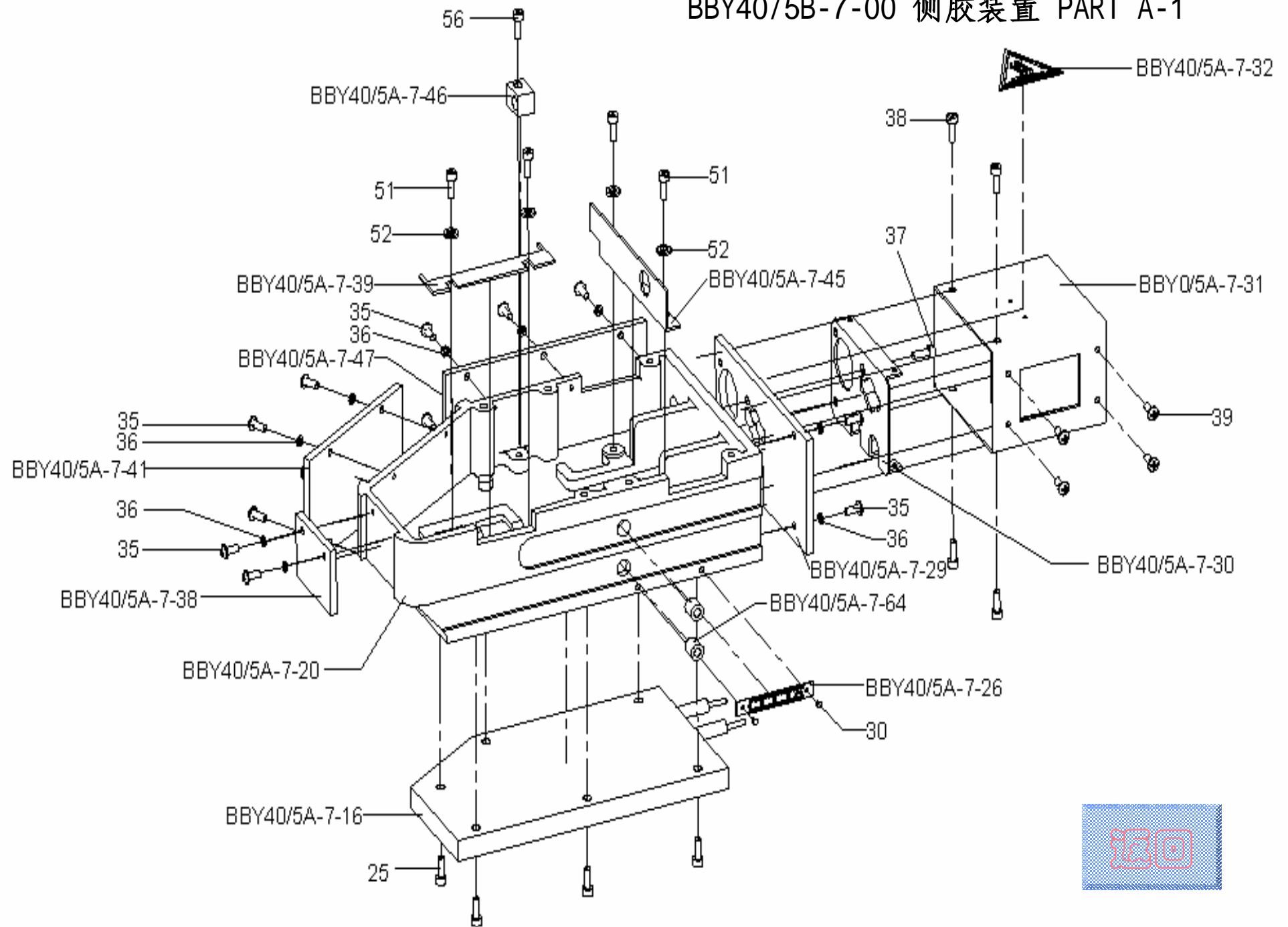




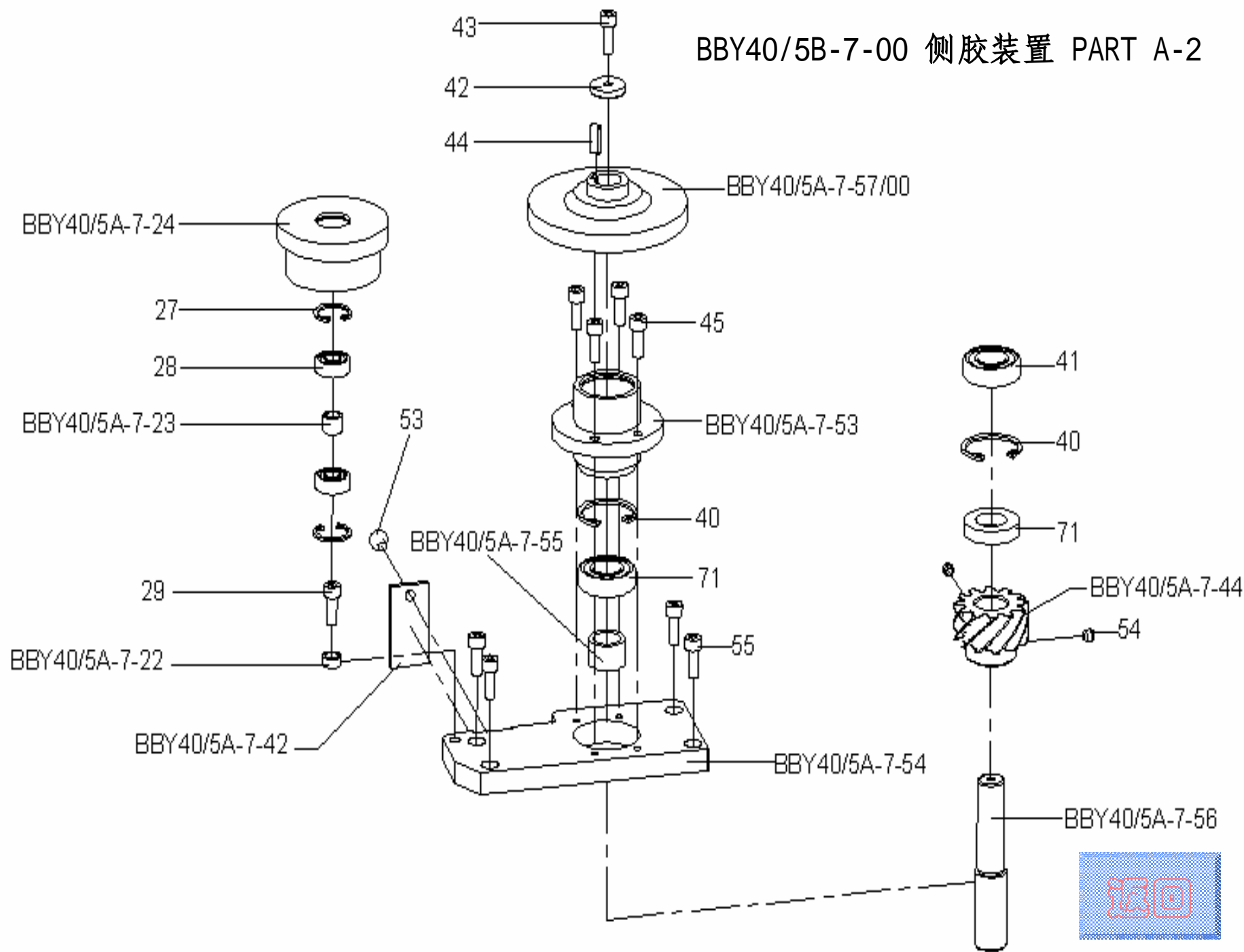
BBY40/5B-7-00 侧胶装置 PART C



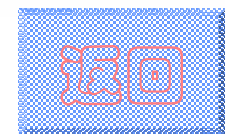
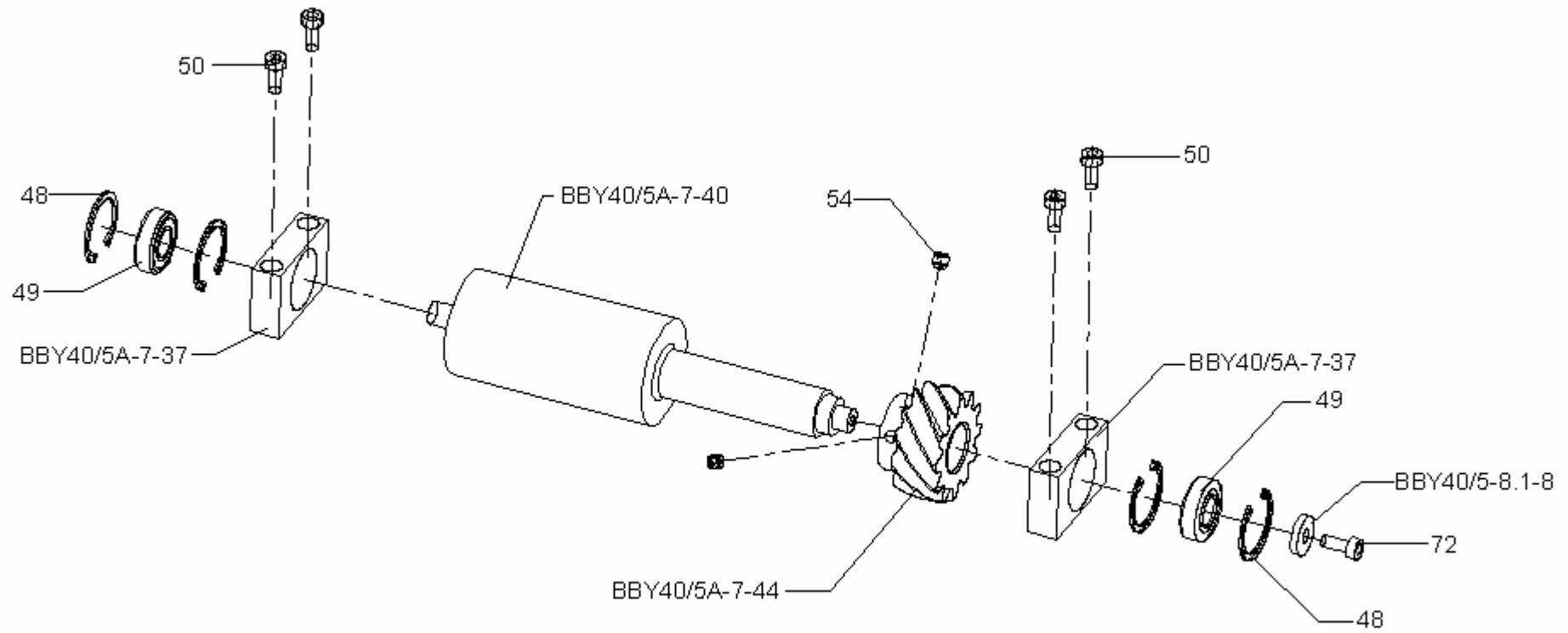
BBY40/5B-7-00 侧胶装置 PART A-1



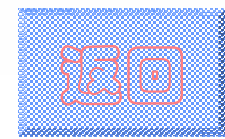
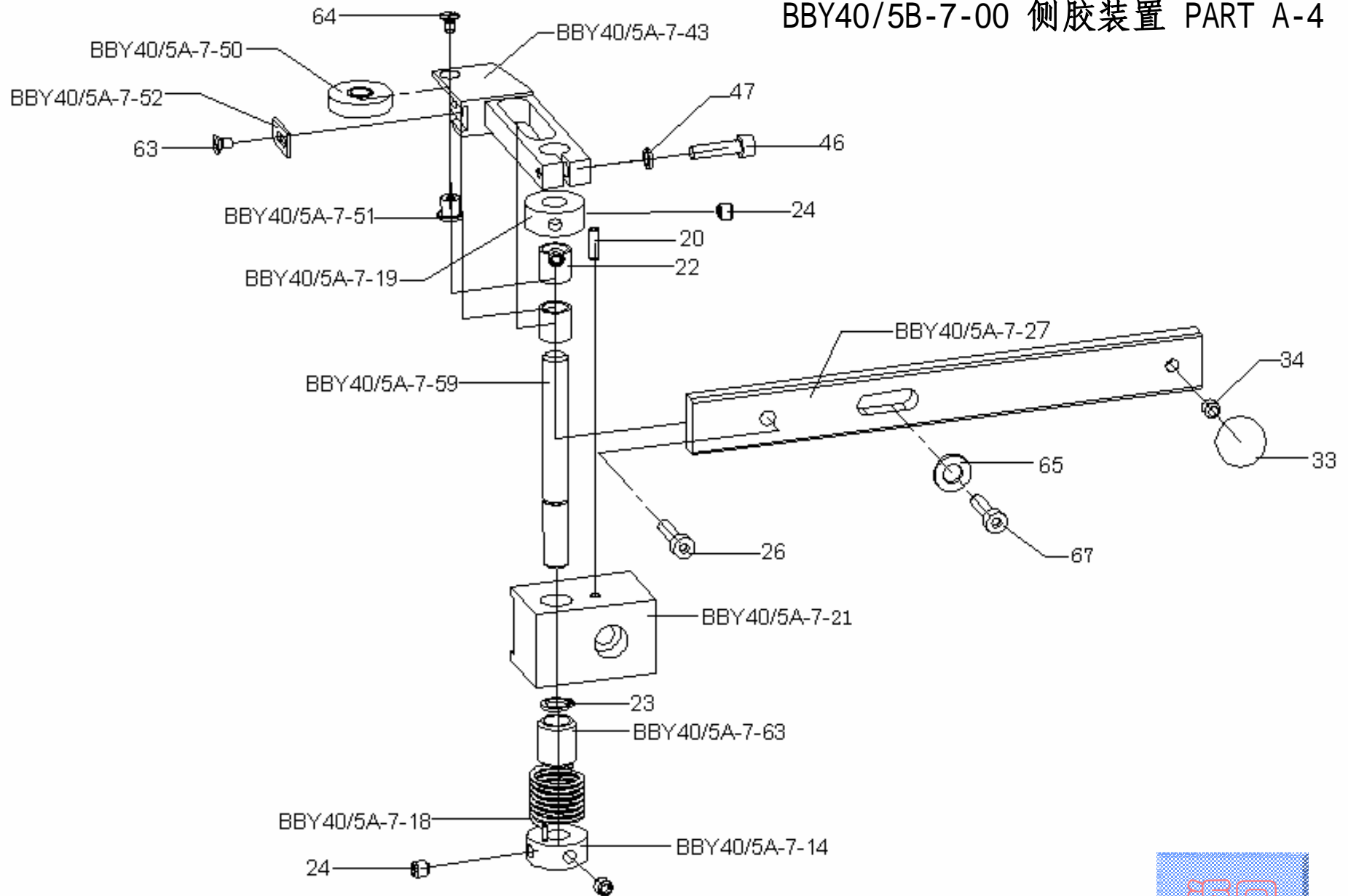
BBY40/5B-7-00 侧胶装置 PART A-2



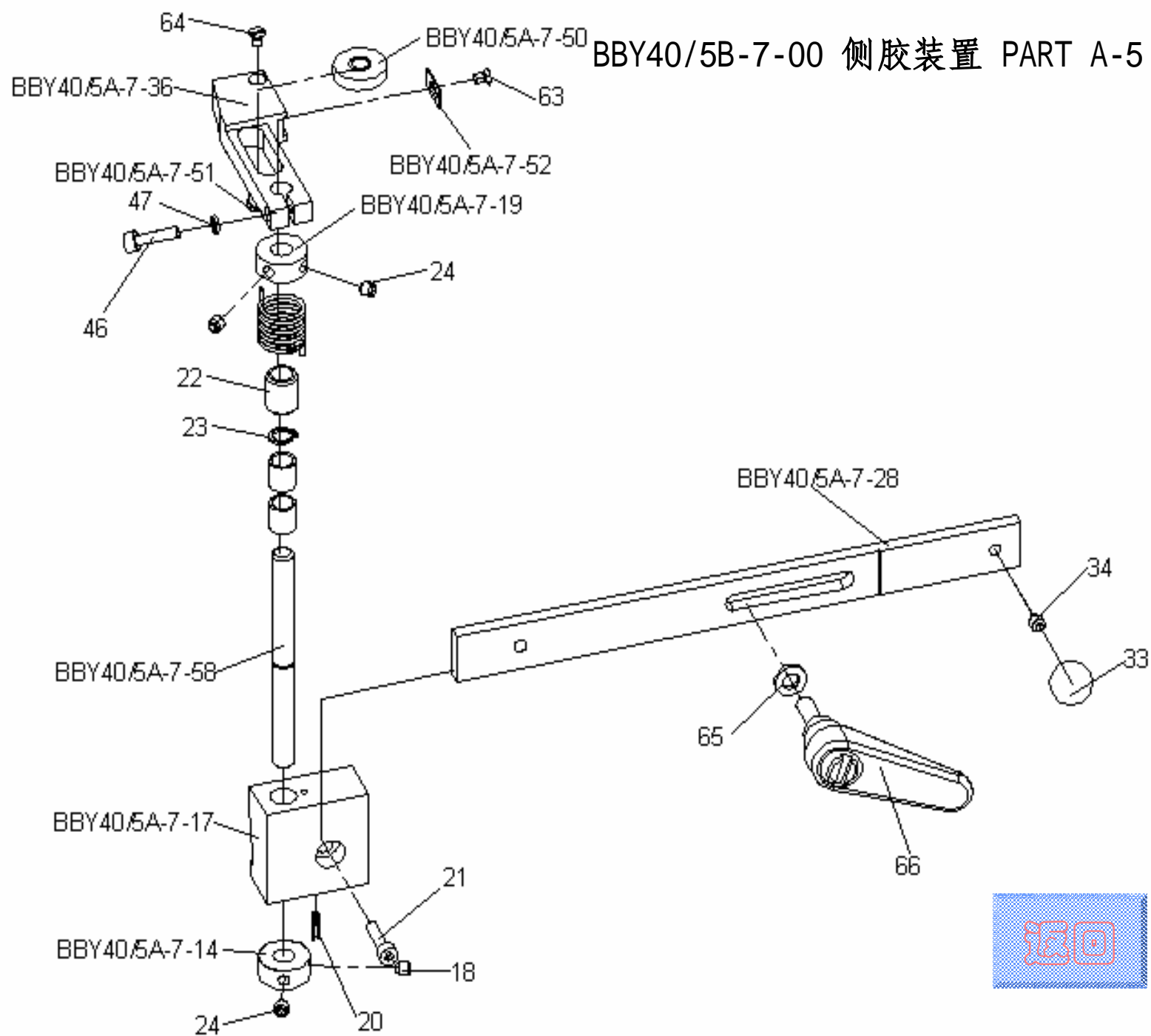
BBY40/5B-7-00 侧胶装置 PART A-3



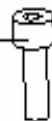
BBY40/5B-7-00 侧胶装置 PART A-4



BBY40/5B-7-00 侧胶装置 PART A-5

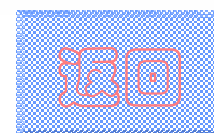
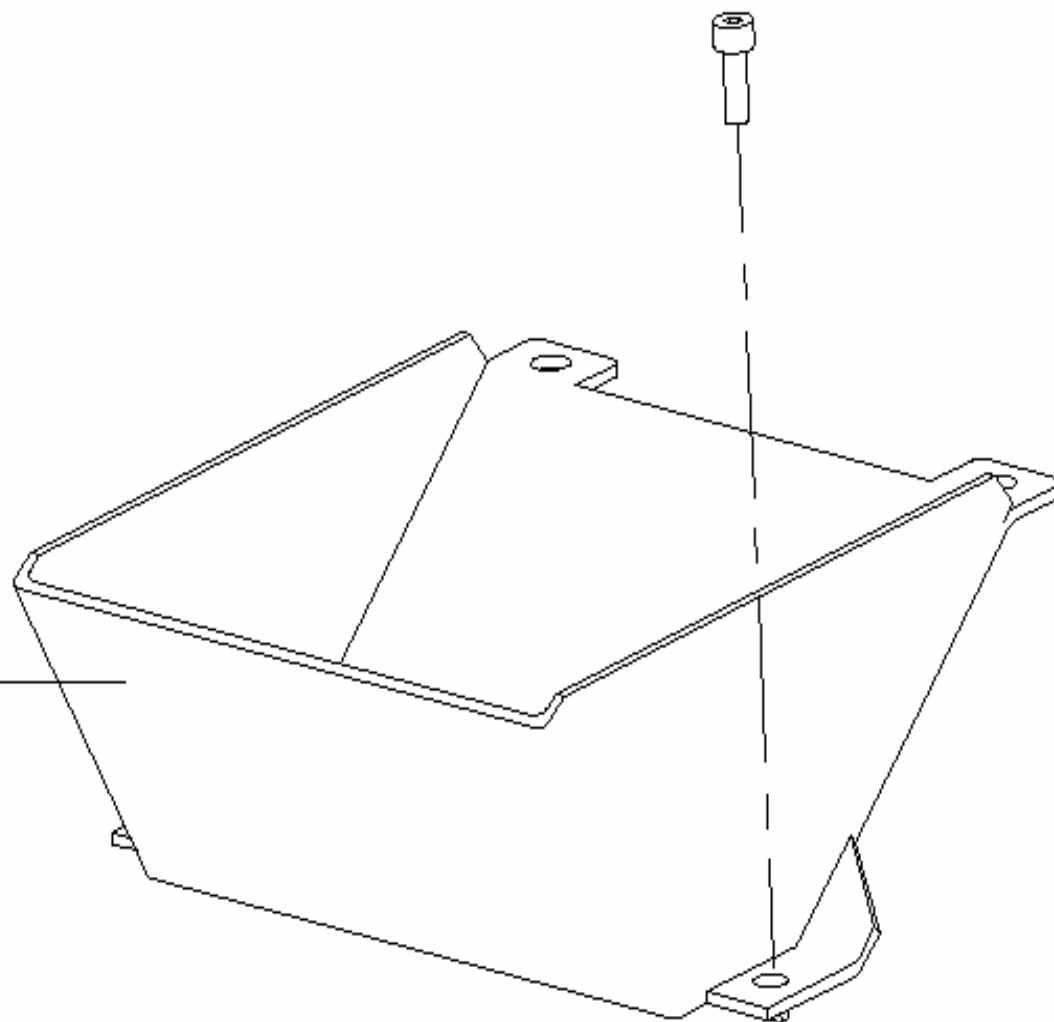


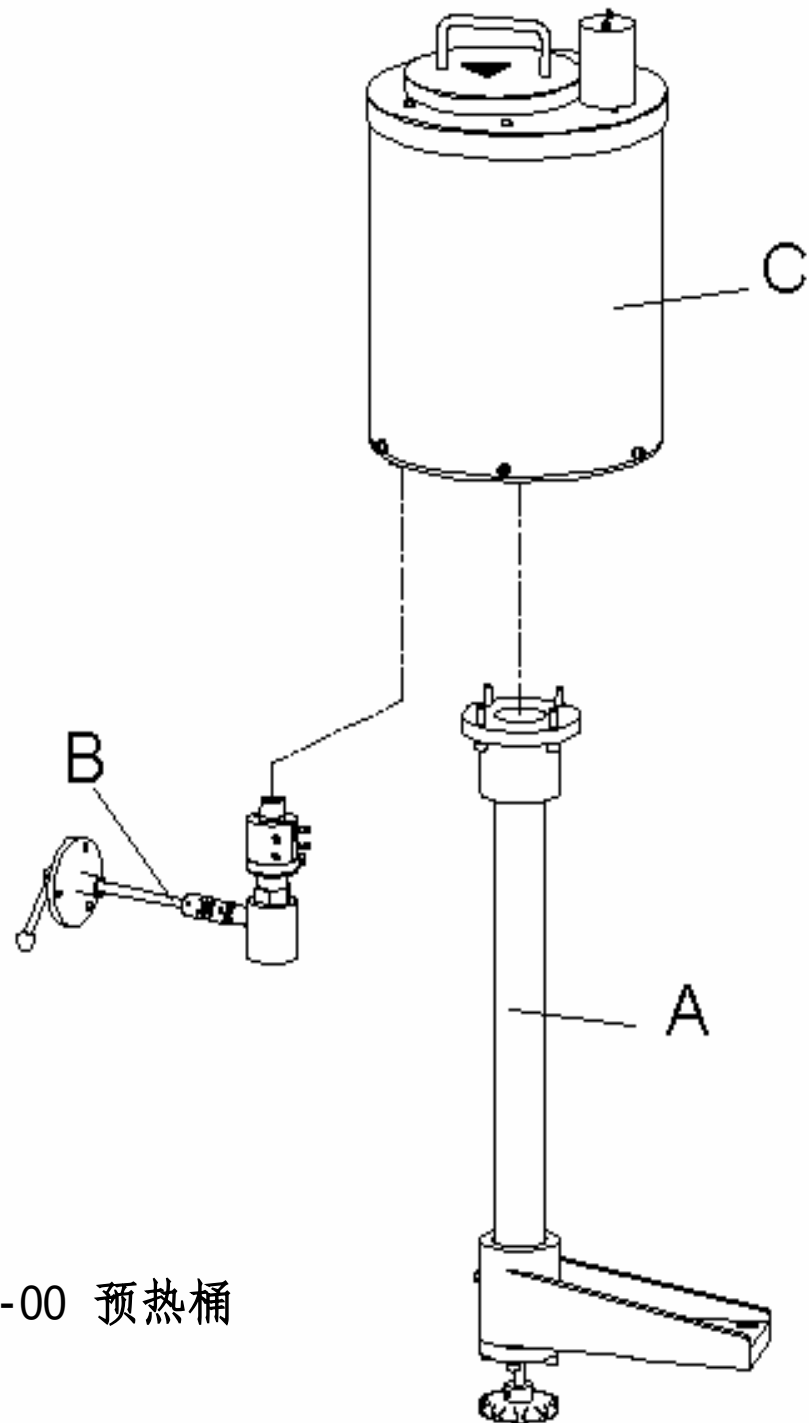
32



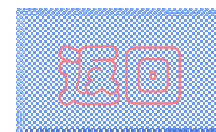
BBY40/5B-7-00 侧胶装置 PART A-6

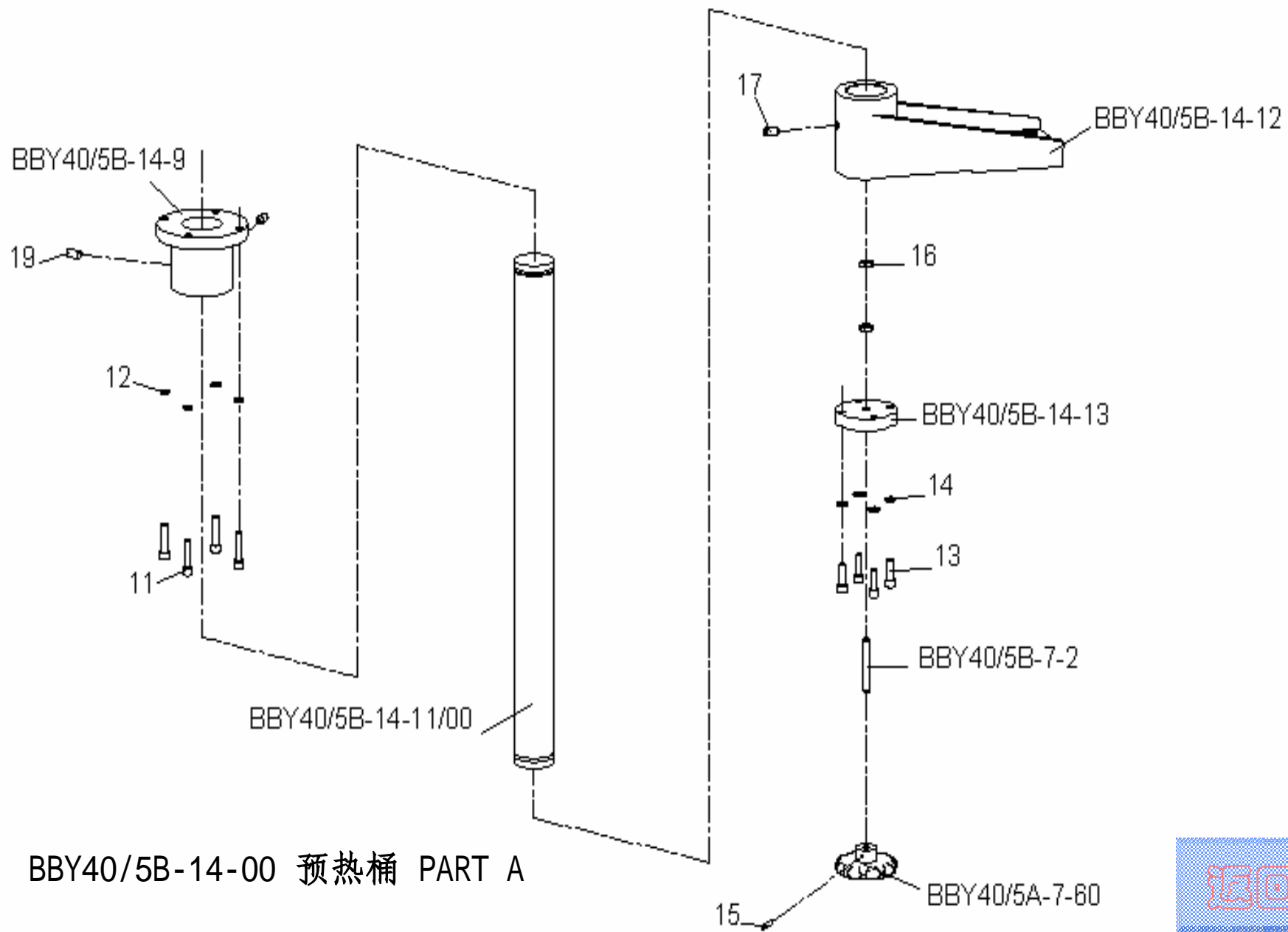
BBY40/5A-7-48/00



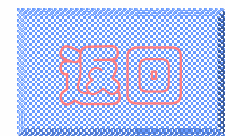


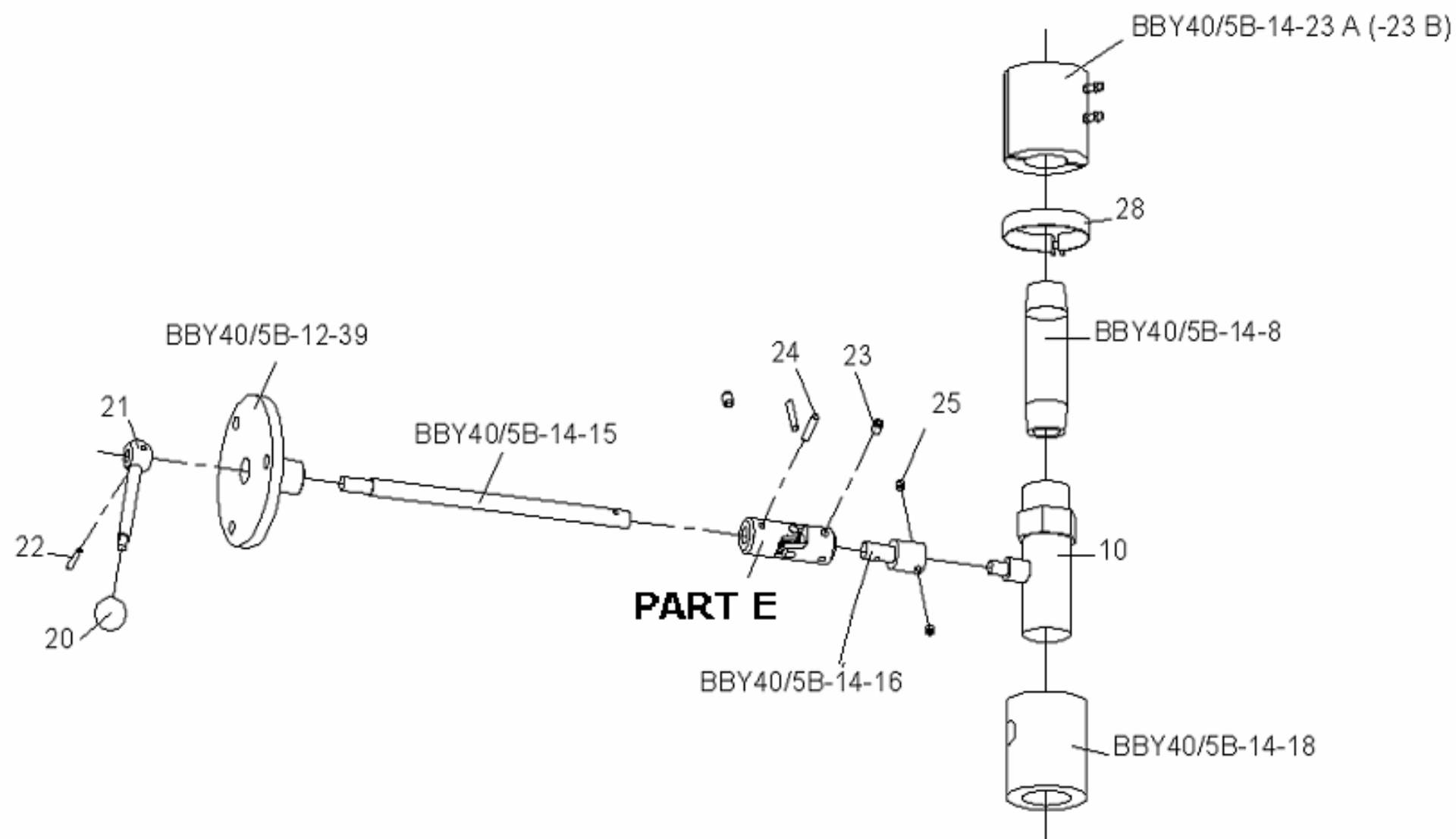
BBY40/5B-14-00 预热桶



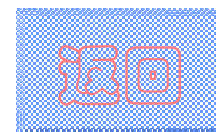


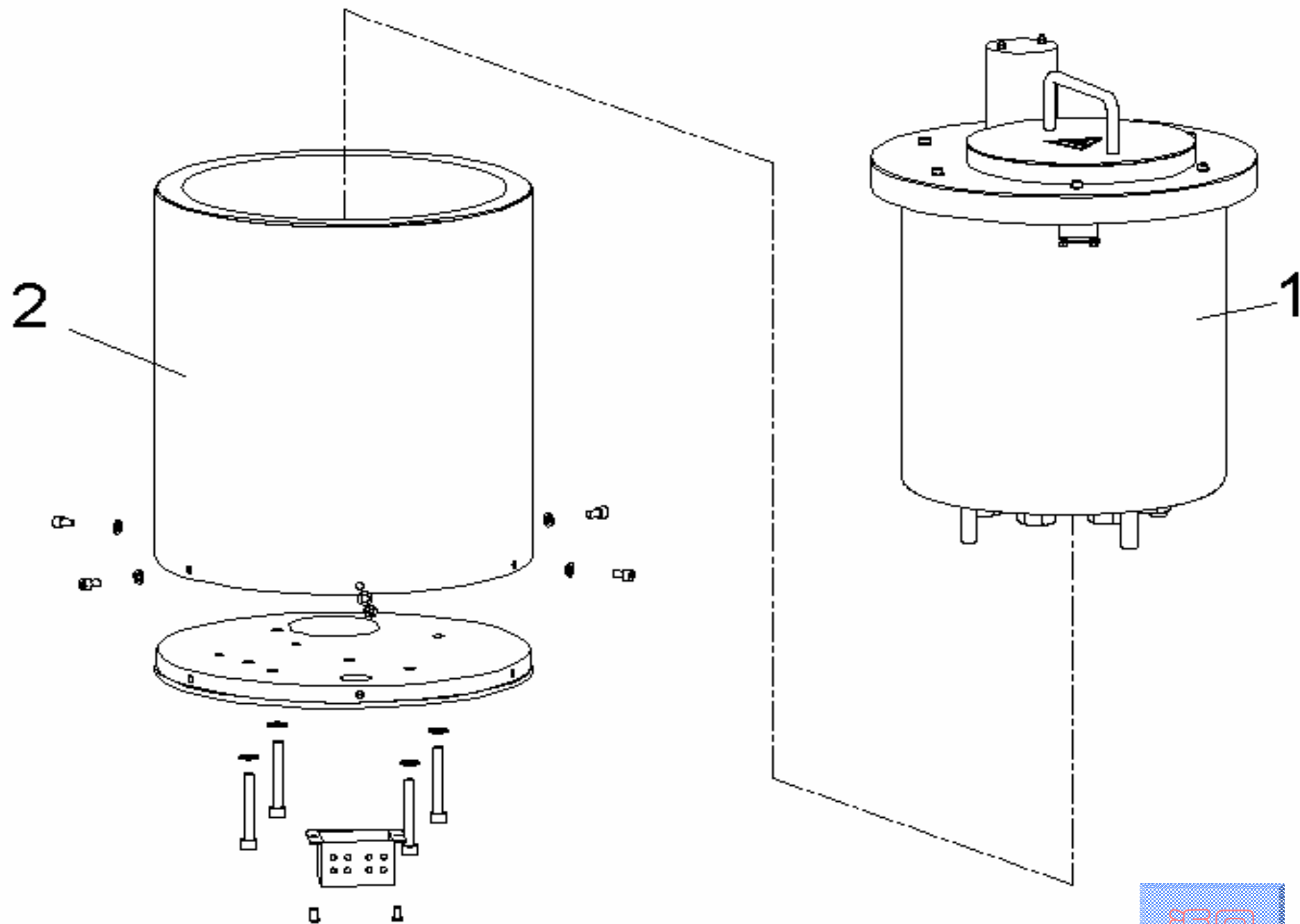
BBY40/5B-14-00 预热桶 PART A



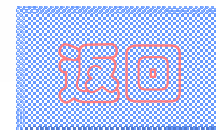


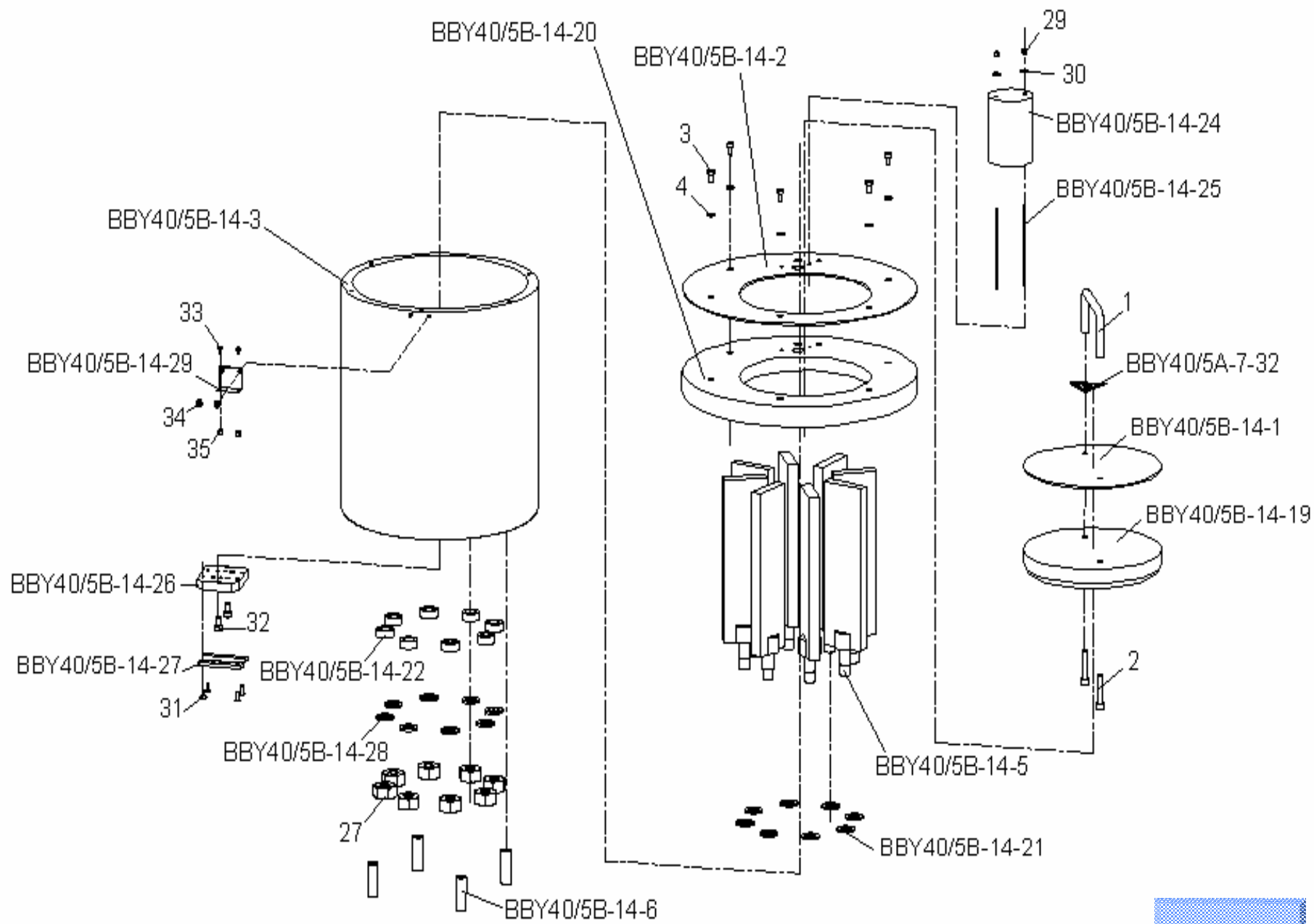
BBY40/5B-14-00 预热桶 PART B



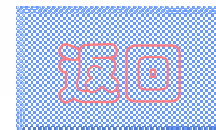


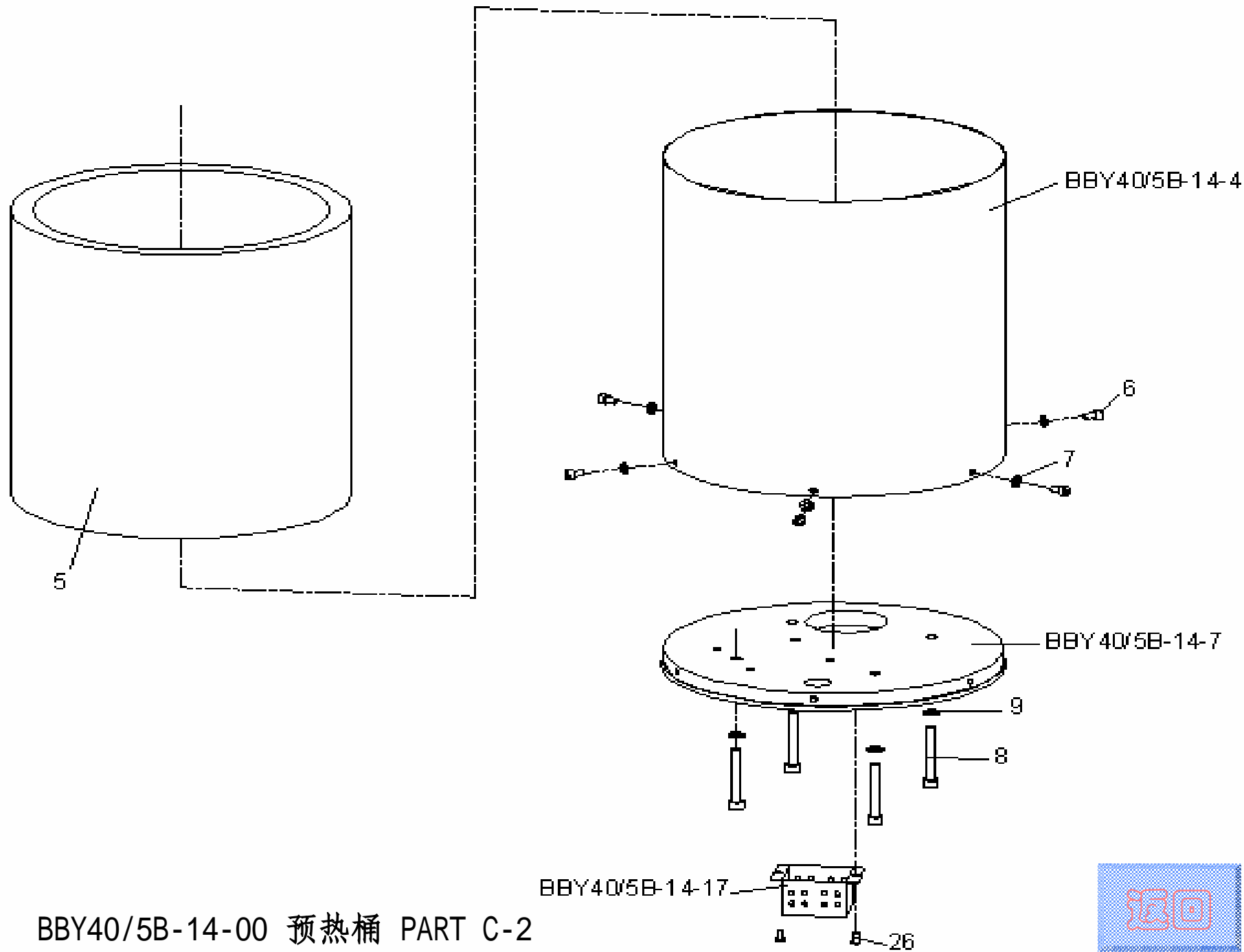
BBY40/5B-14-00 预热桶 PART C



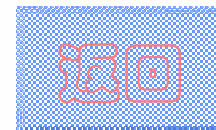


BBY40/5B-14-00 预热桶 PART C-1

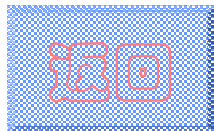
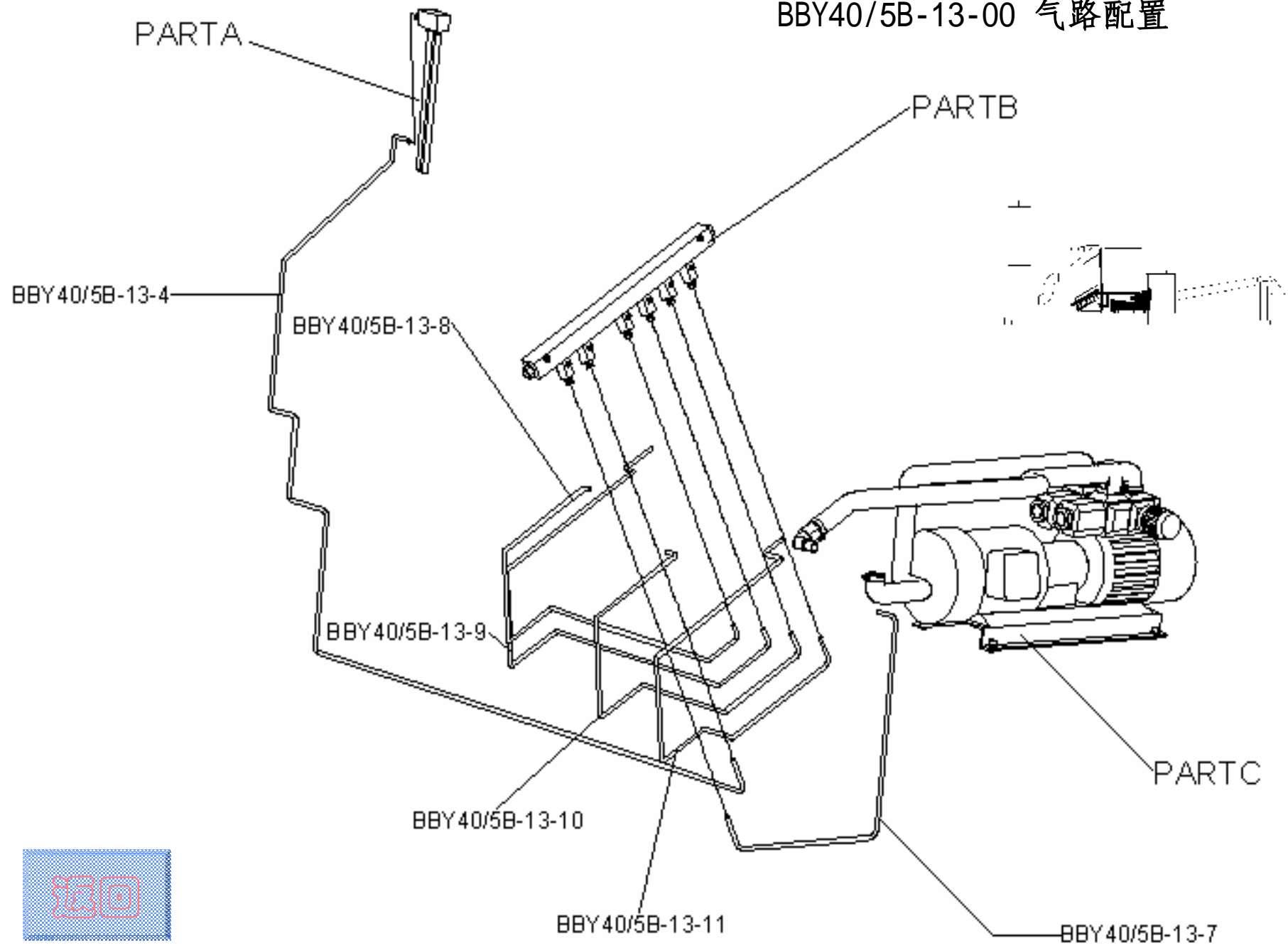




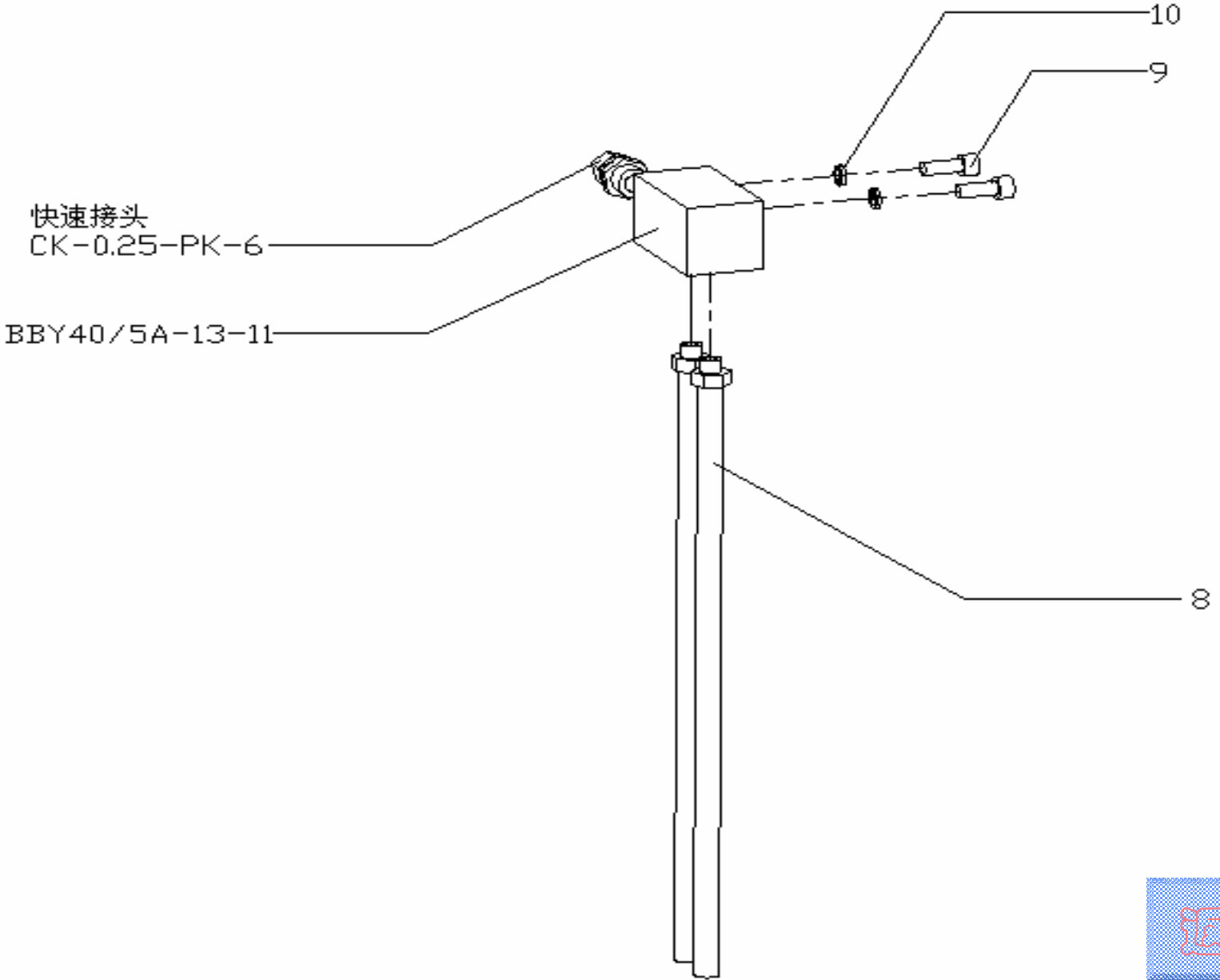
BBY40/5B-14-00 预热桶 PART C-2



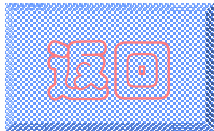
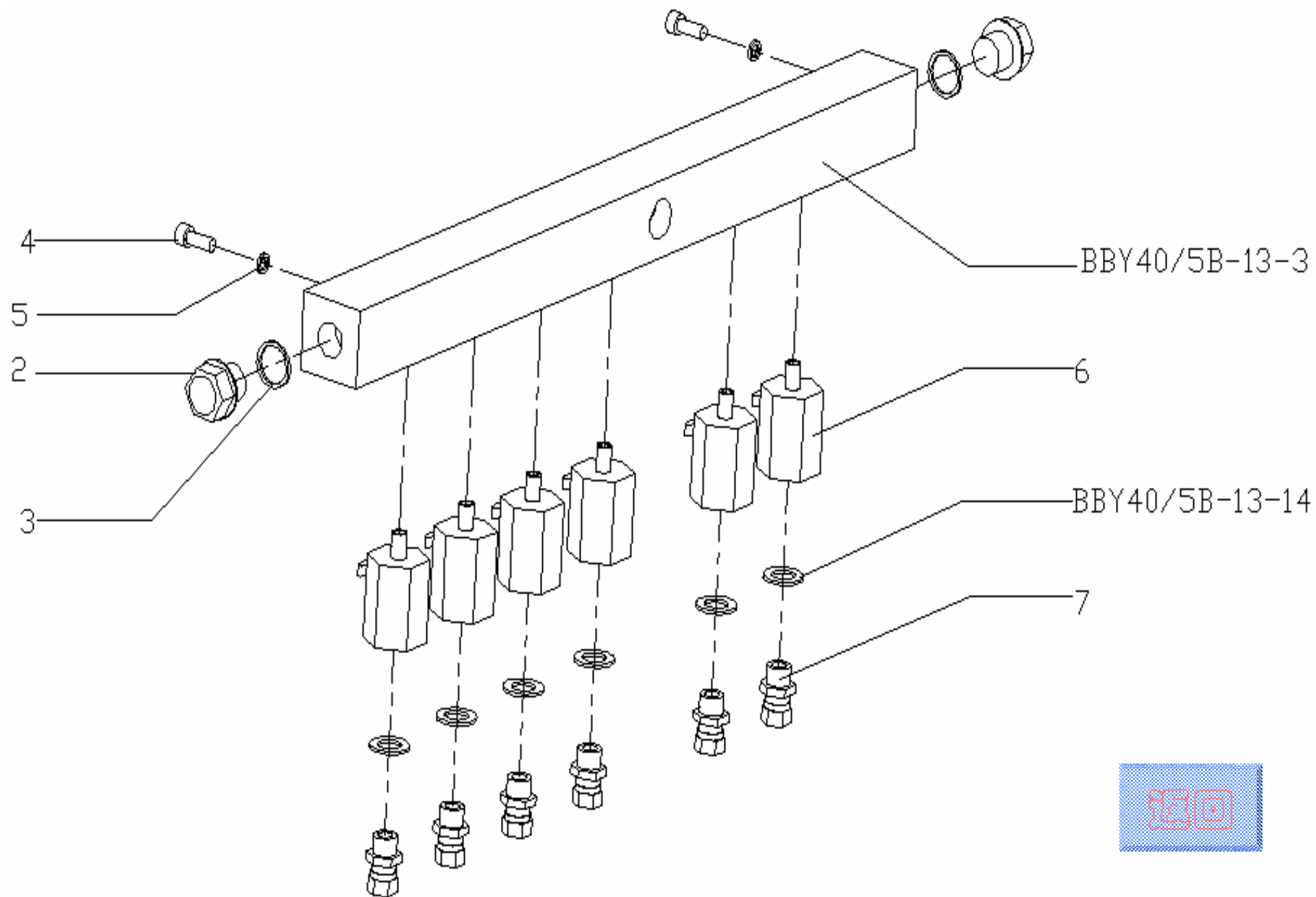
BBY40/5B-13-00 气路配置



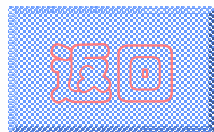
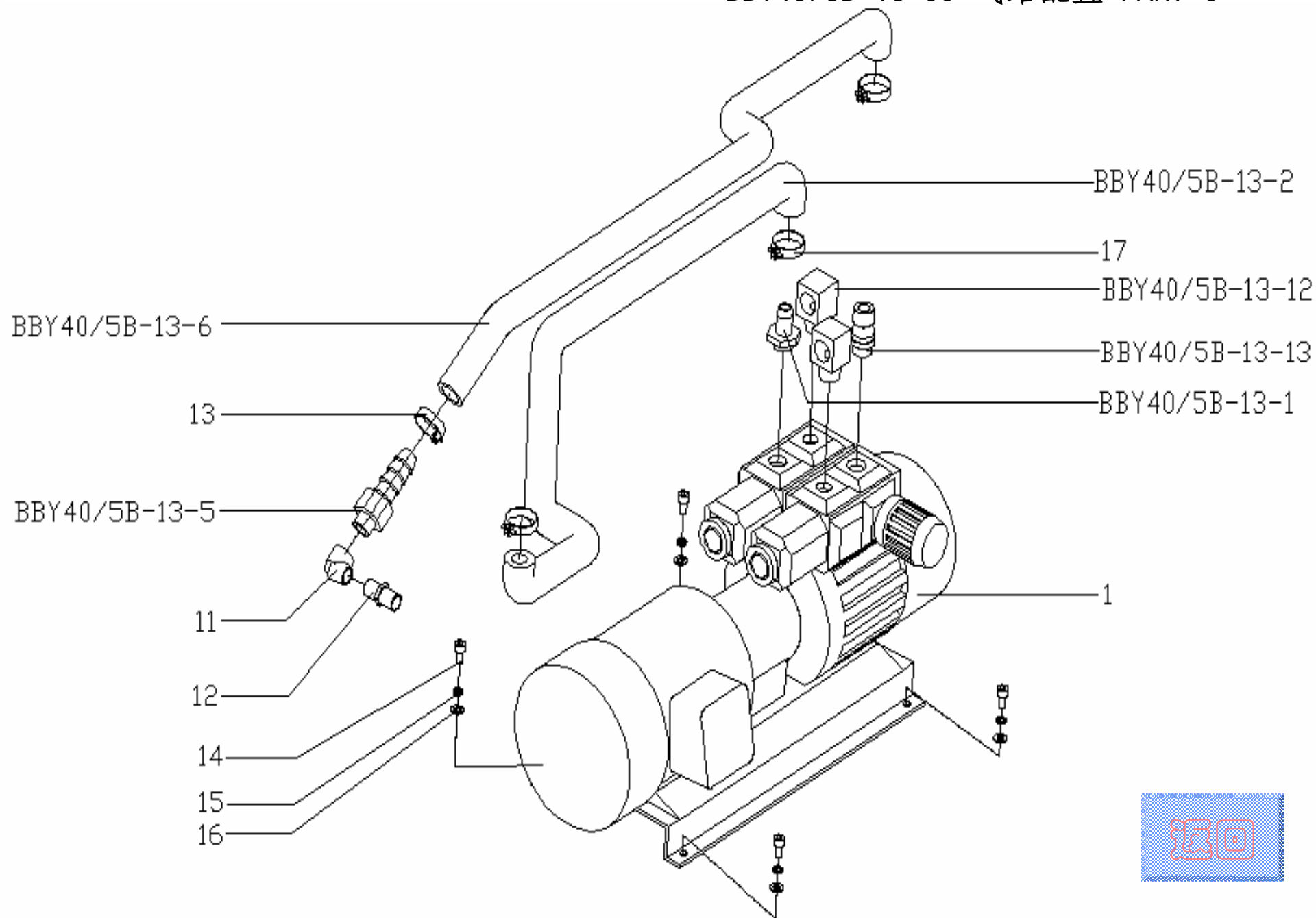
BBY40/5B-13-00 气路配置 PART A

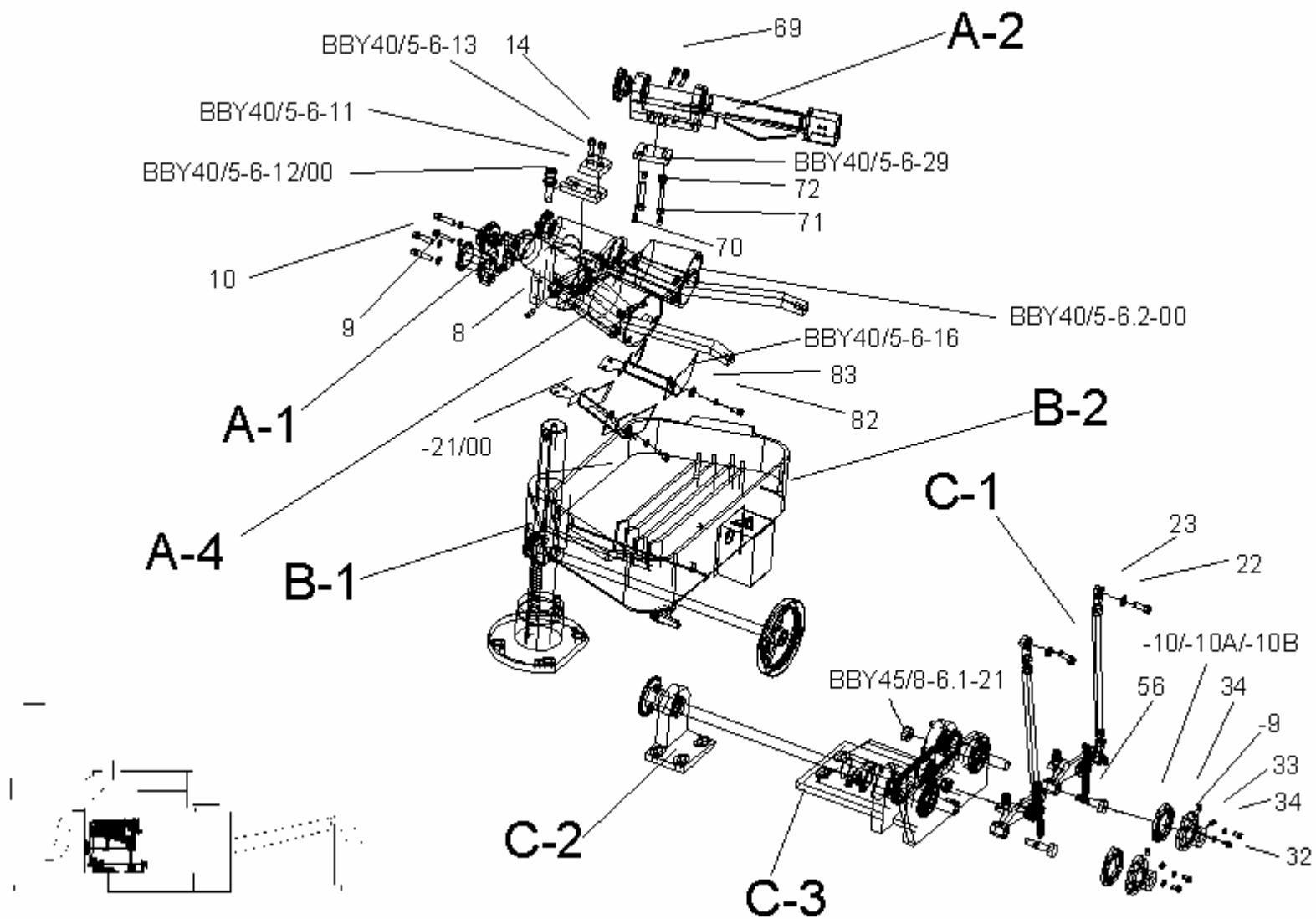


BBY40/5B-13-00 气路配置 PART B

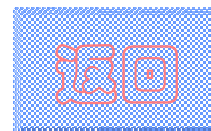


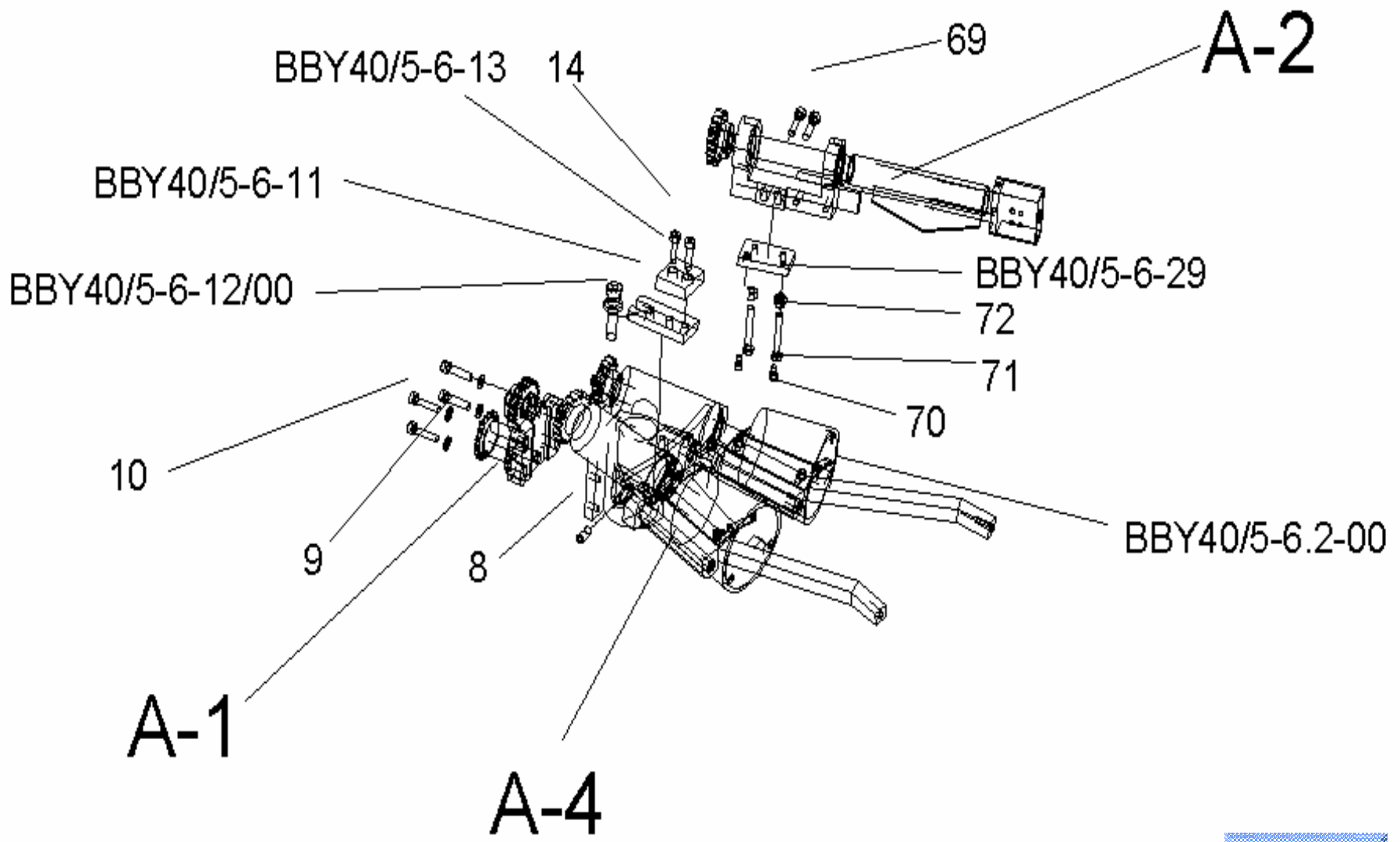
BBY40/5B-13-00 气路配置 PART C



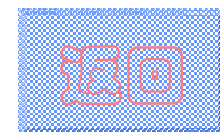


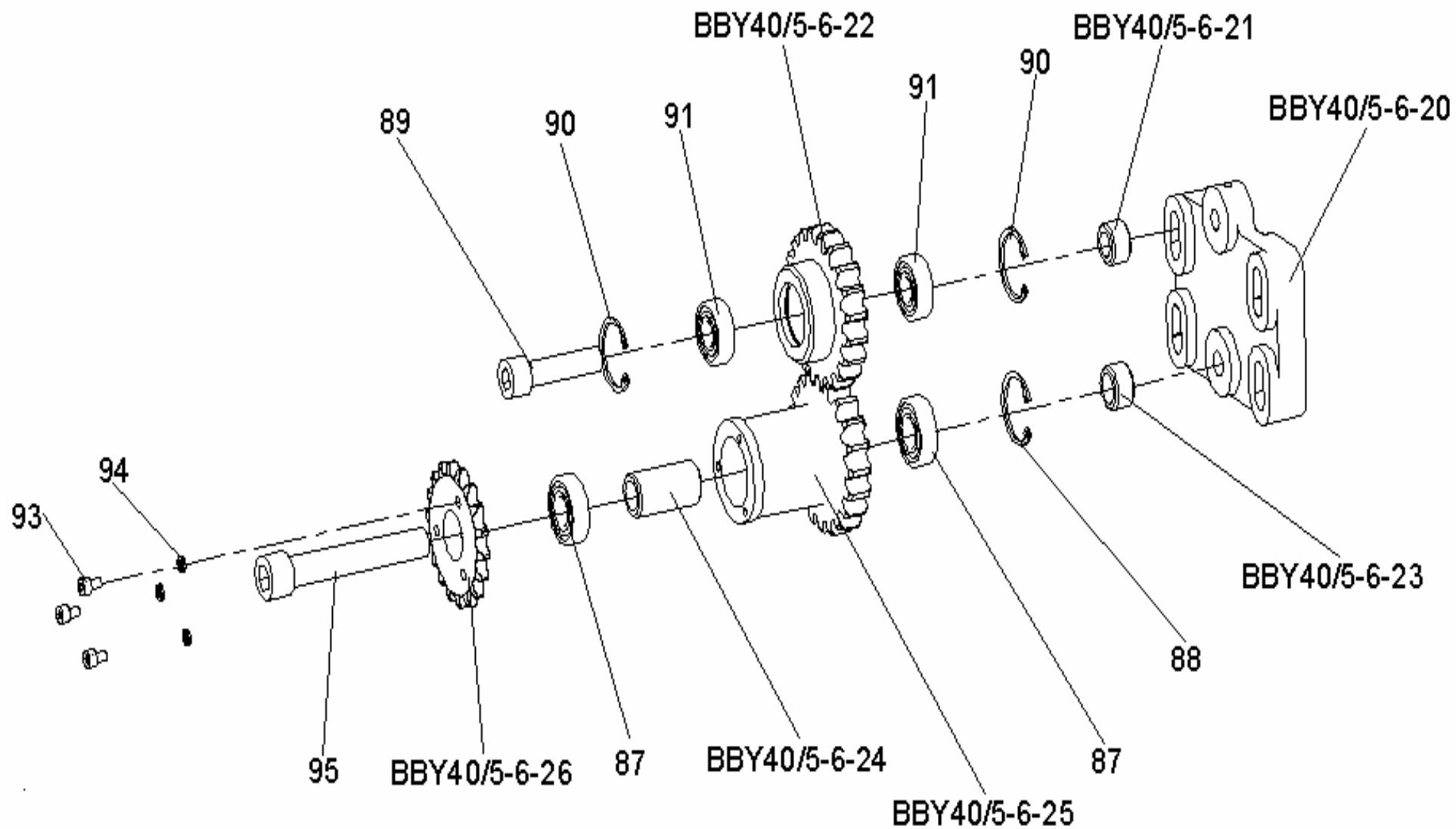
BBY40/5B-6-00 上底胶装置



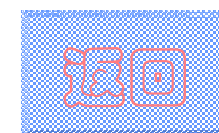


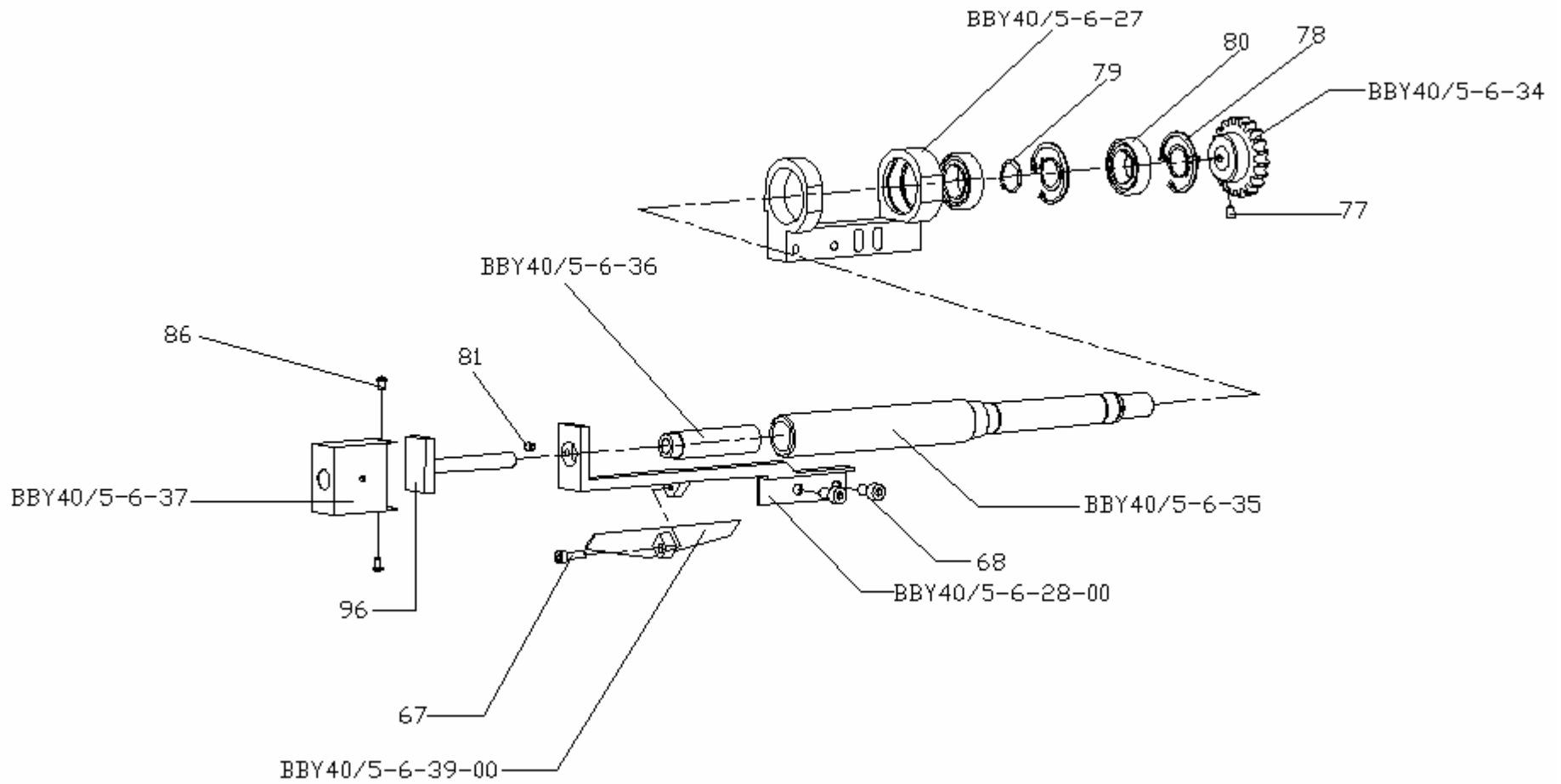
BBY40/5B-6-00 上底胶装置PART A



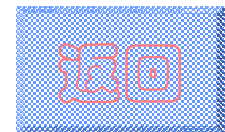


BBY40/5B-6-00 上底胶装置PART A-1

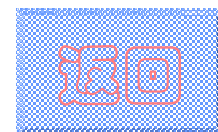


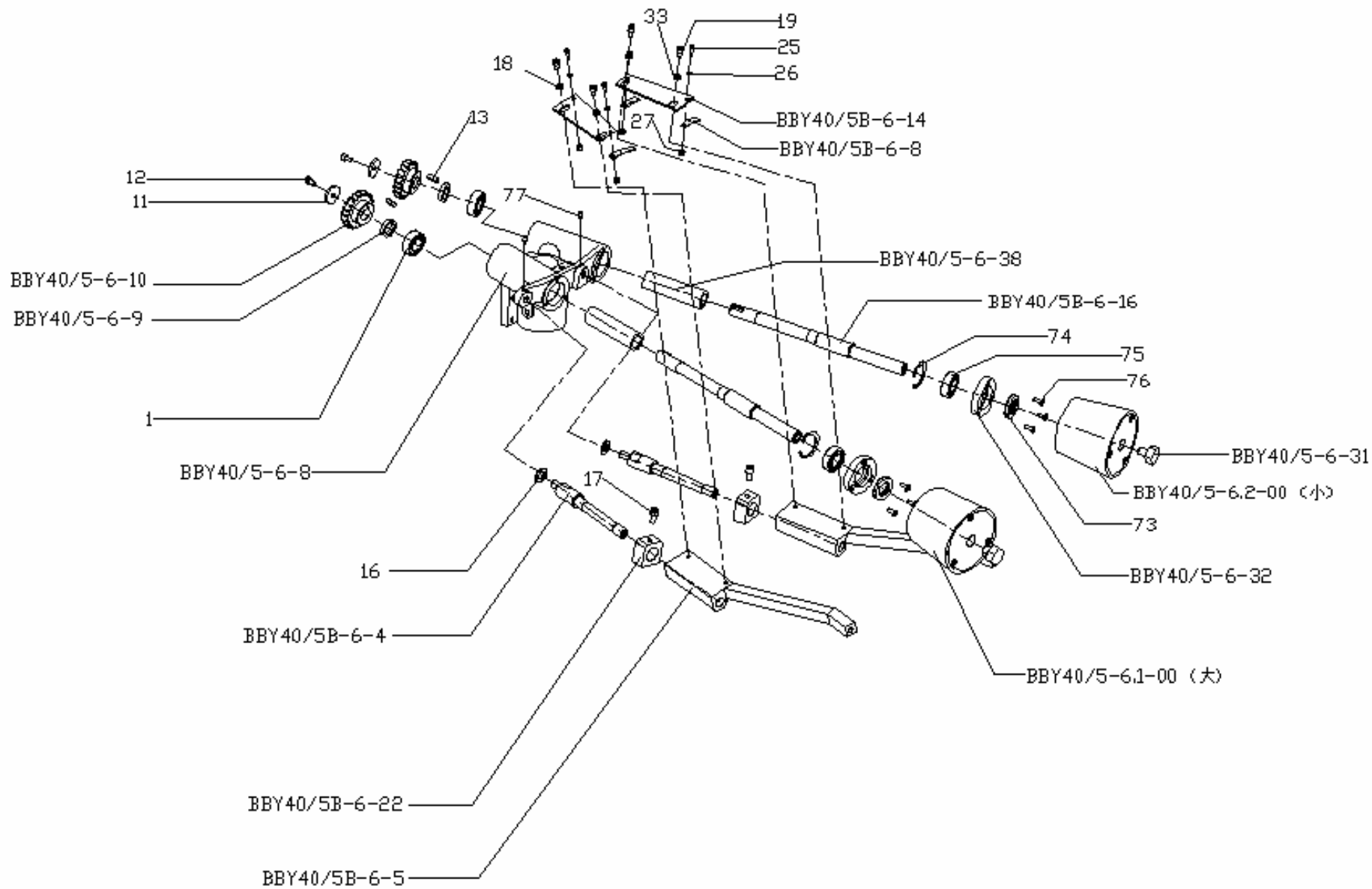


BBY40/5B-6-00 上底胶装置PART A-2

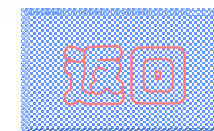


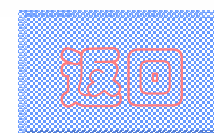
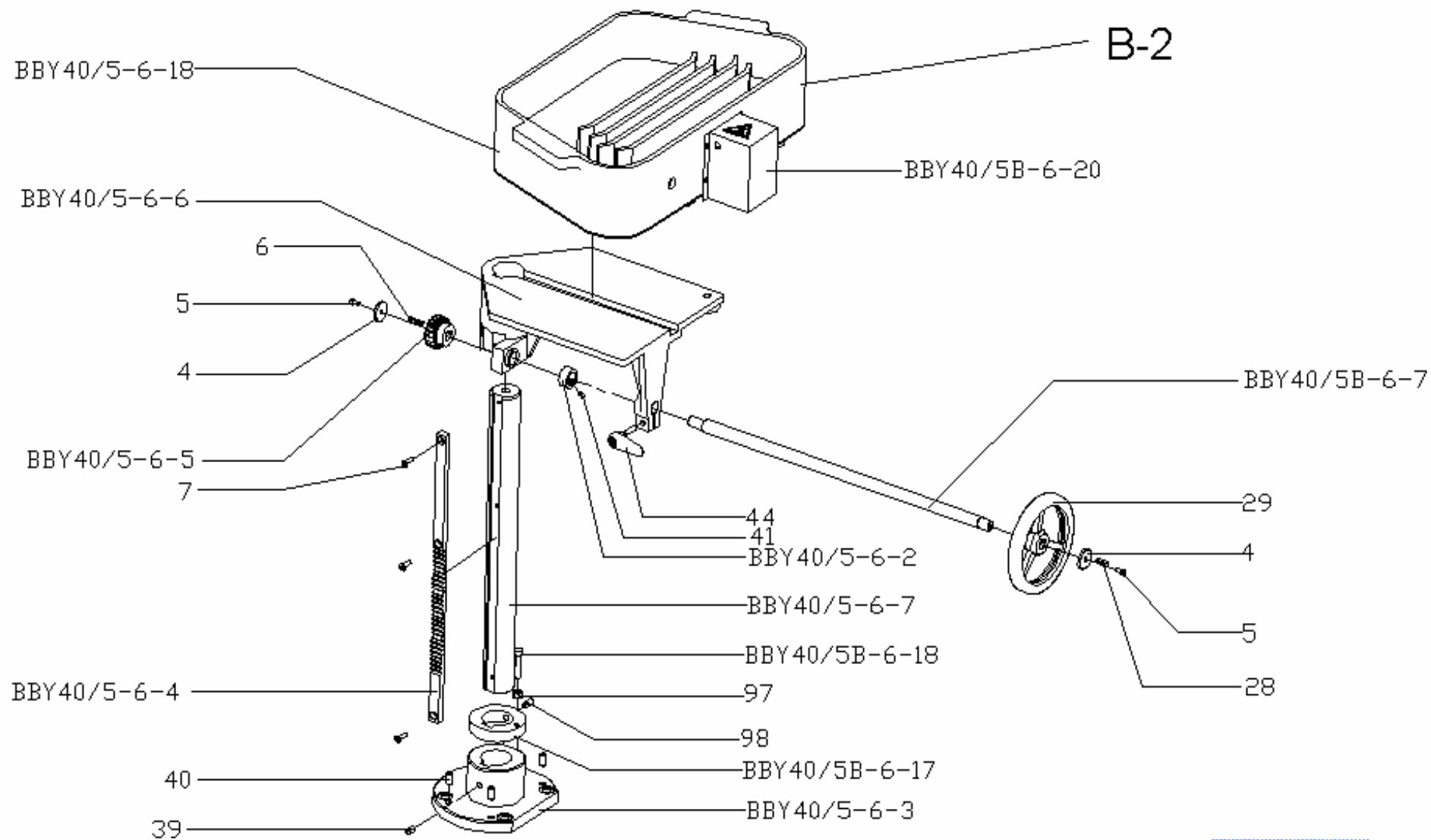
BBY40/5B-6-00 上底胶装置PART A-3



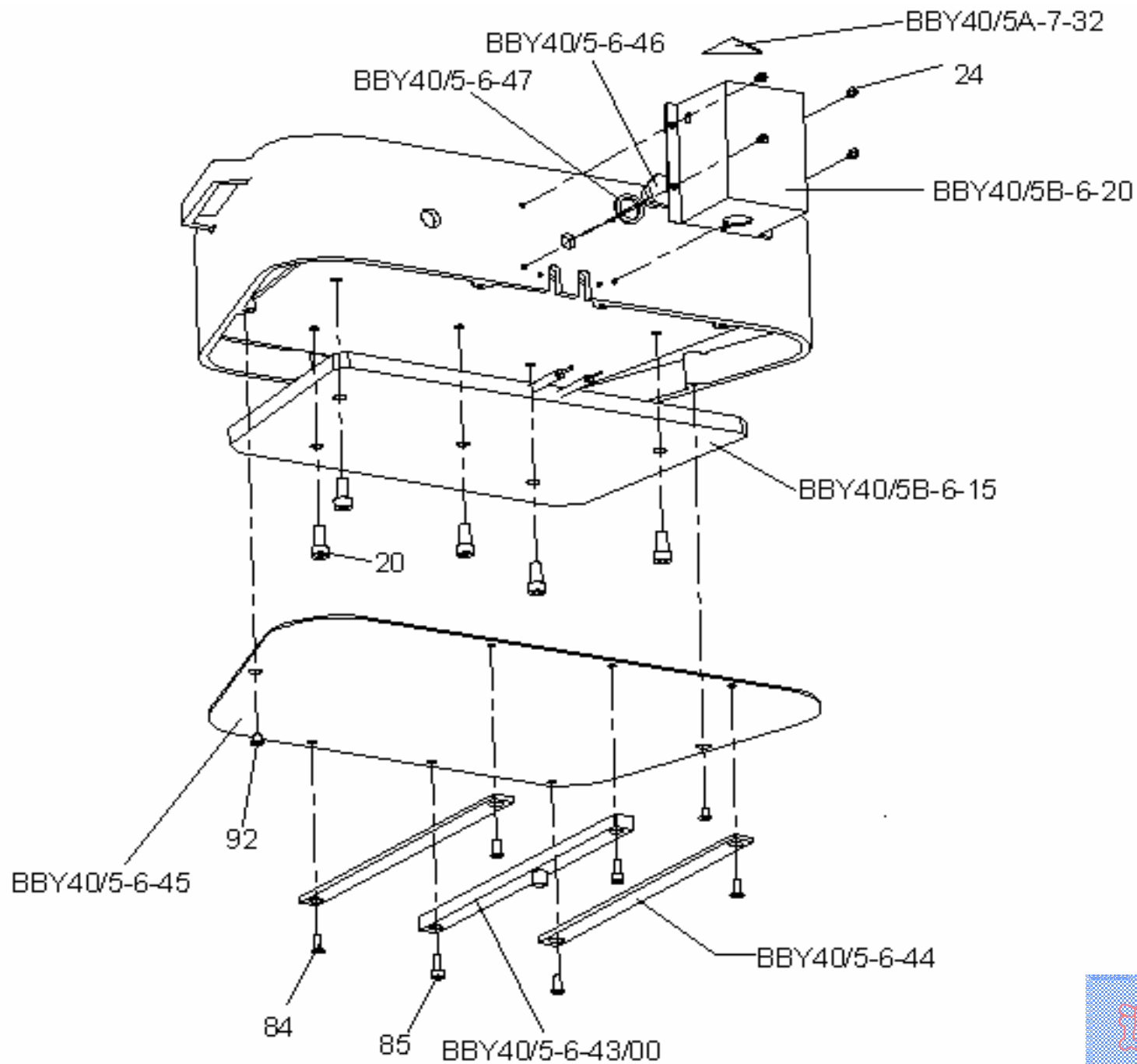


BBY40/5B-6-00 上底胶装置PART A-4

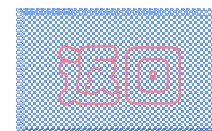


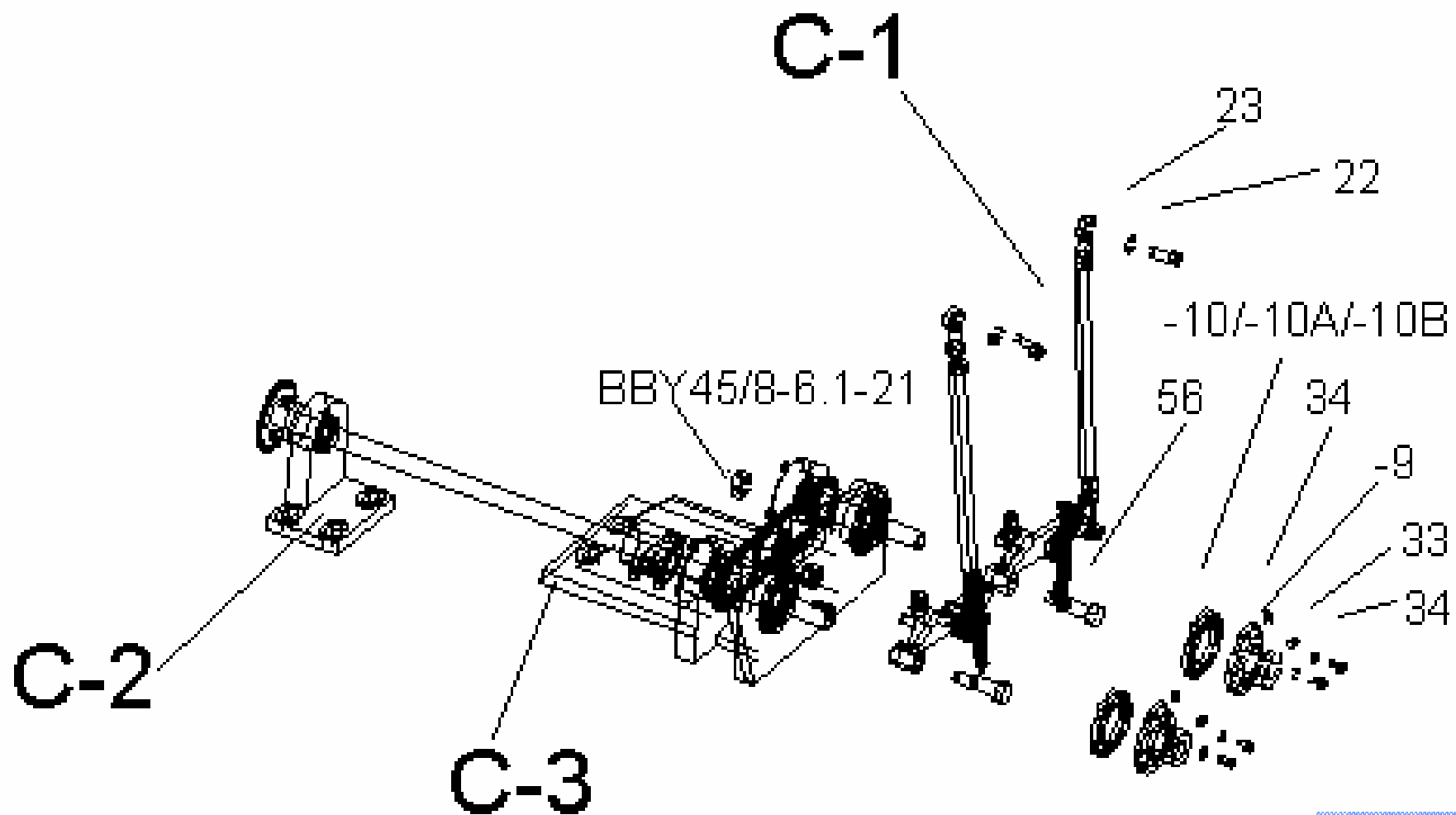


BBY40/5B-6-00 上底胶装置PART B-1

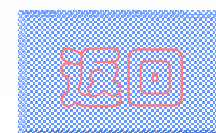
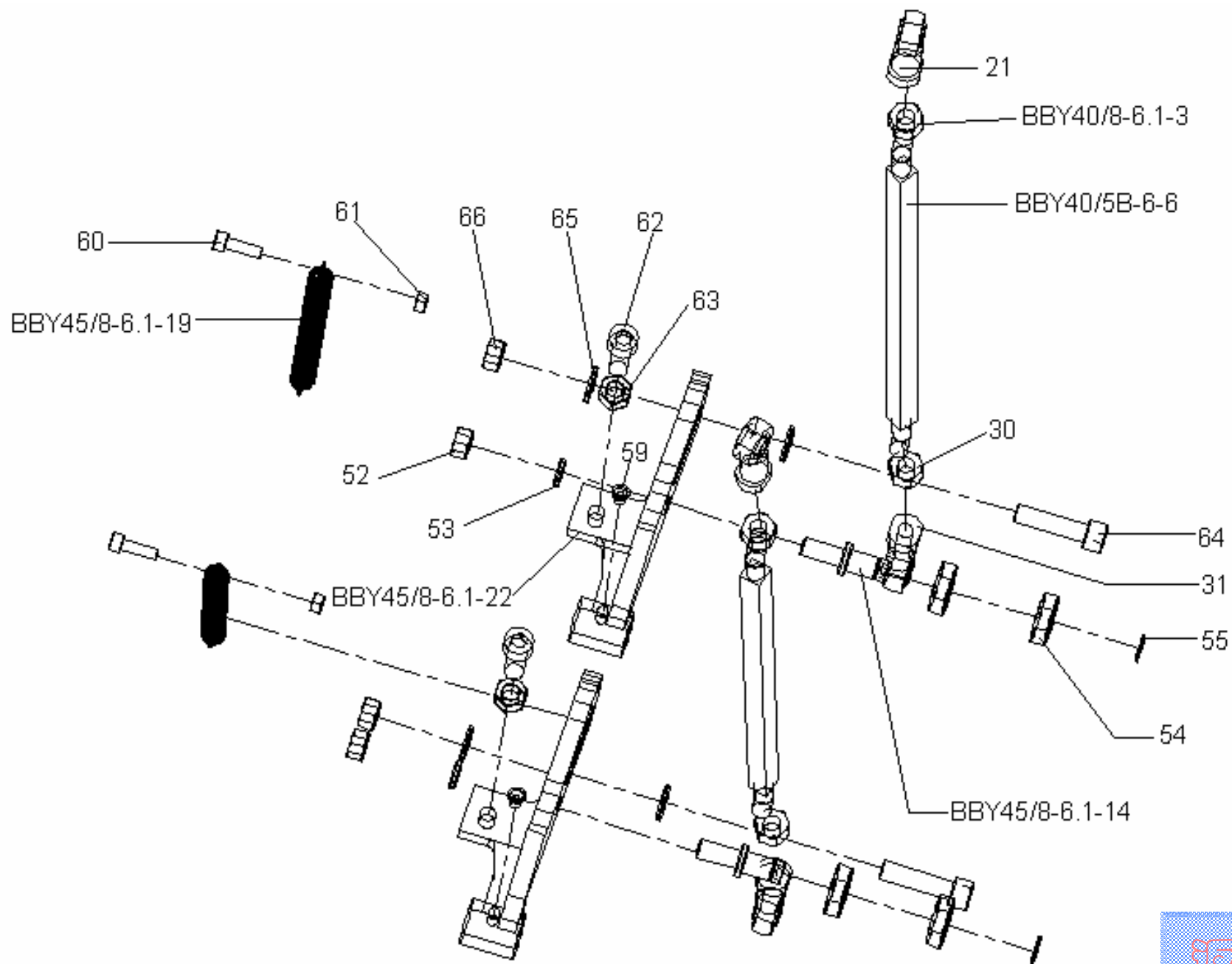


BBY40/5B-6-00 上底胶装置PART B-2

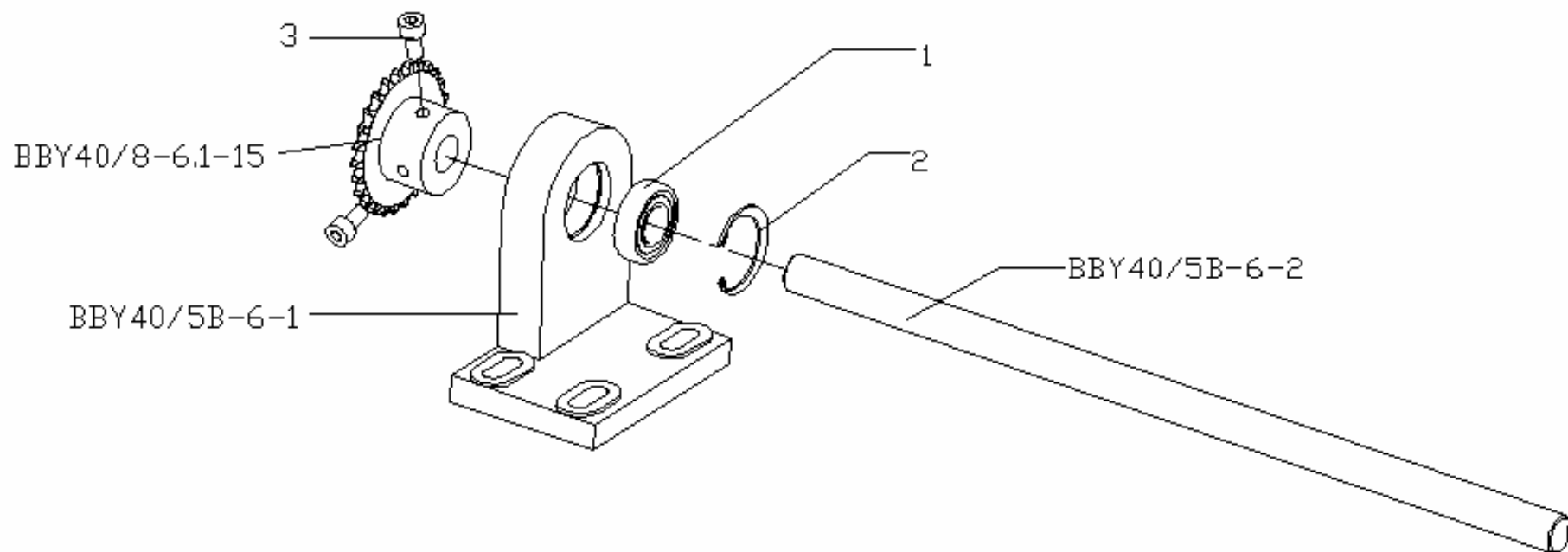




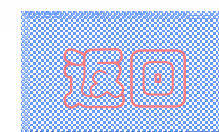
BBY40/5B-6-00 上底胶装置PART C

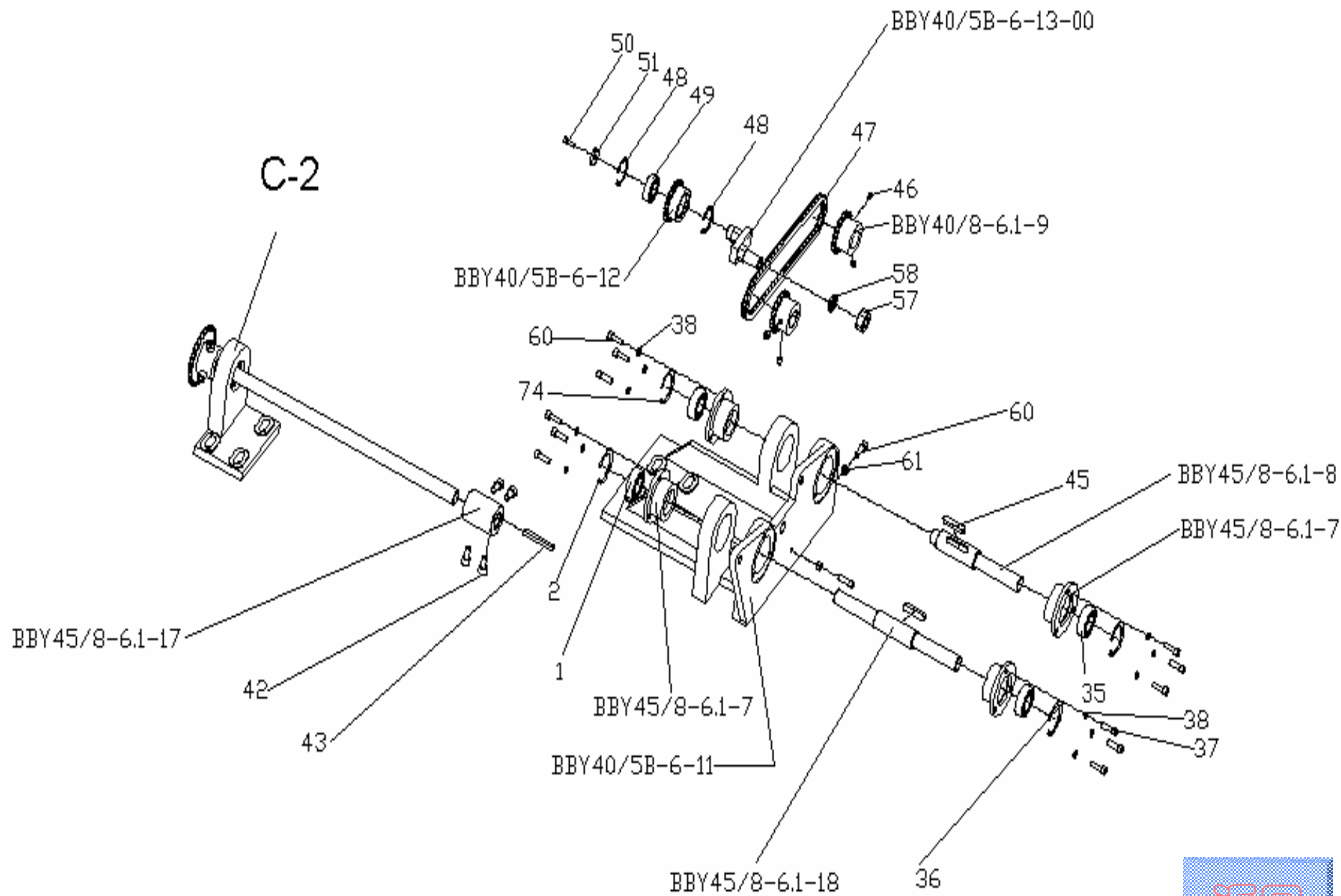


BBY40/5B-6-00 上底胶装置PART C-1

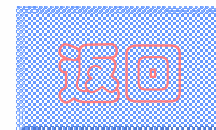


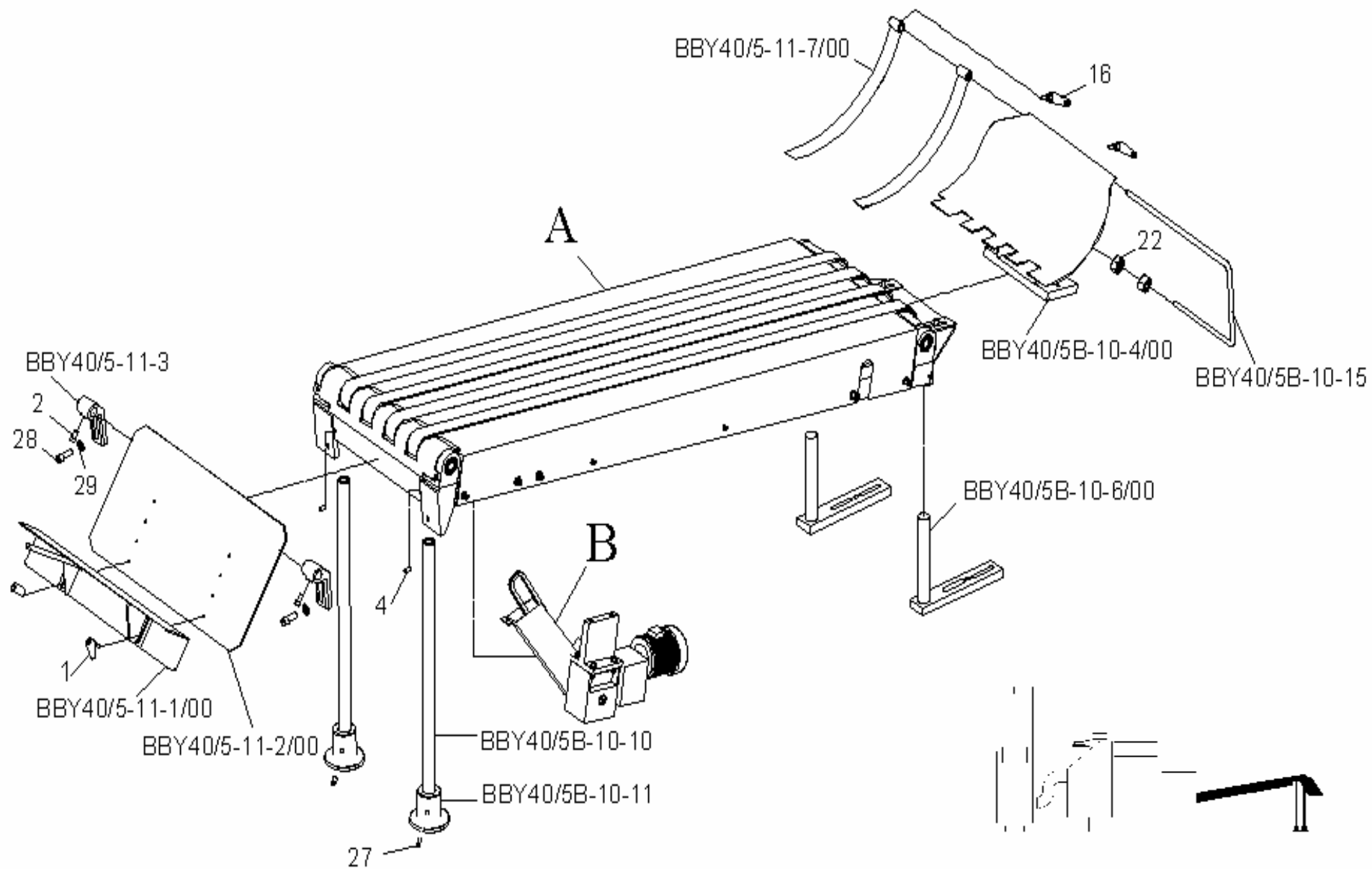
BBY40/5B-6-00 上底胶装置PART C-2



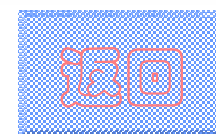


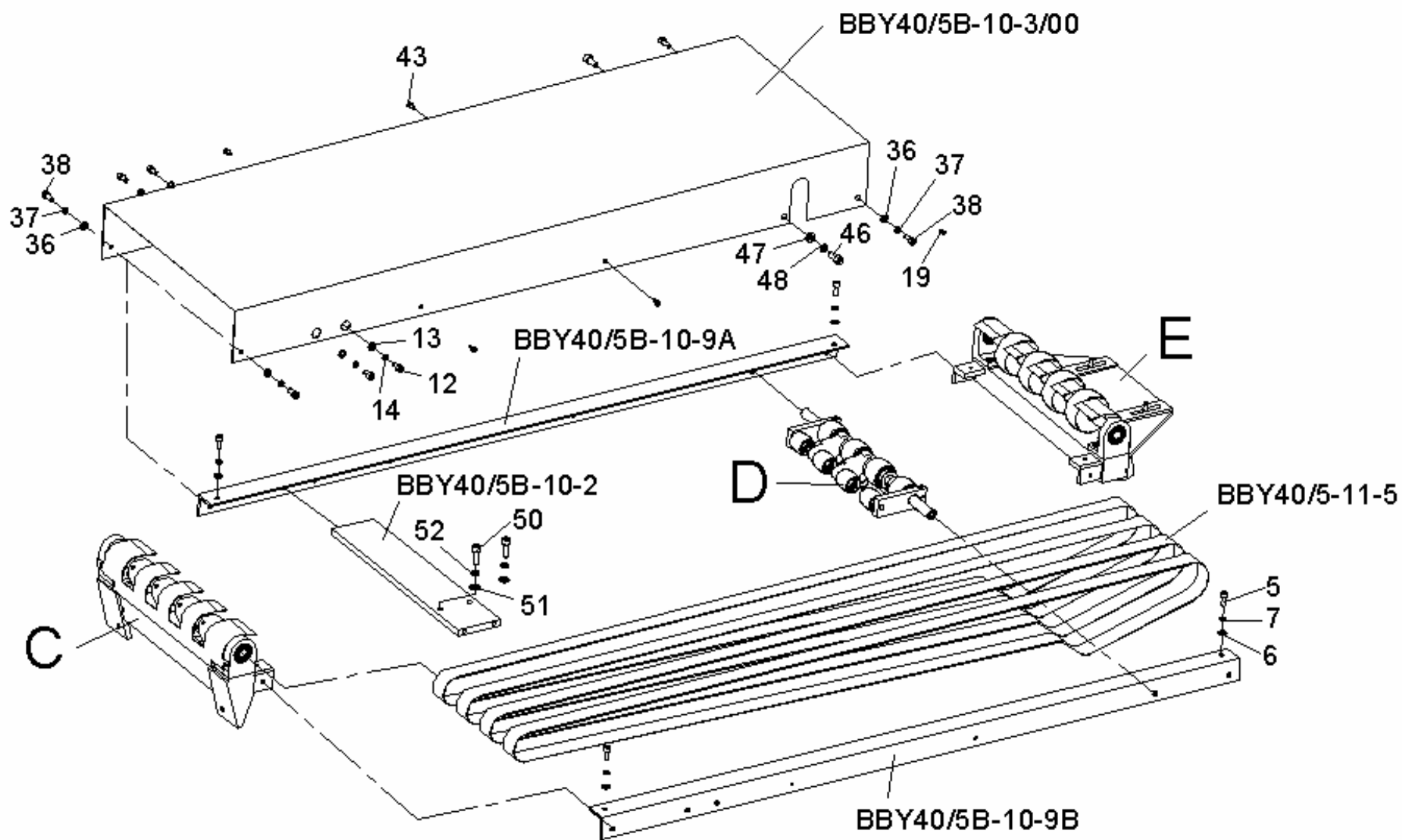
BBY40/5B-6-00 上底胶装置PART C-3



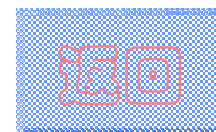


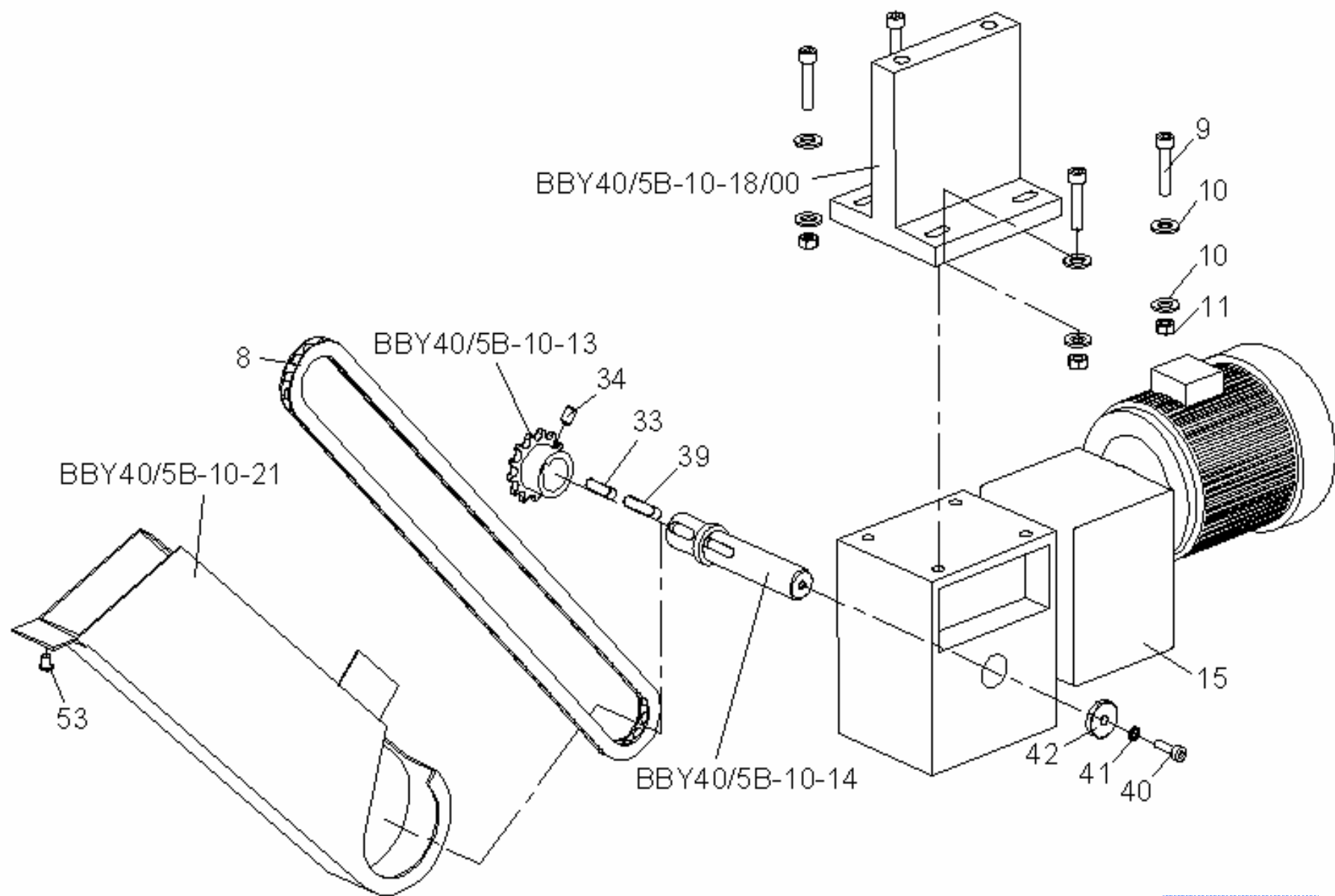
BBY40/5B-10-00 出书输送台



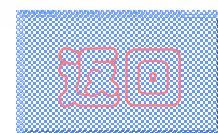


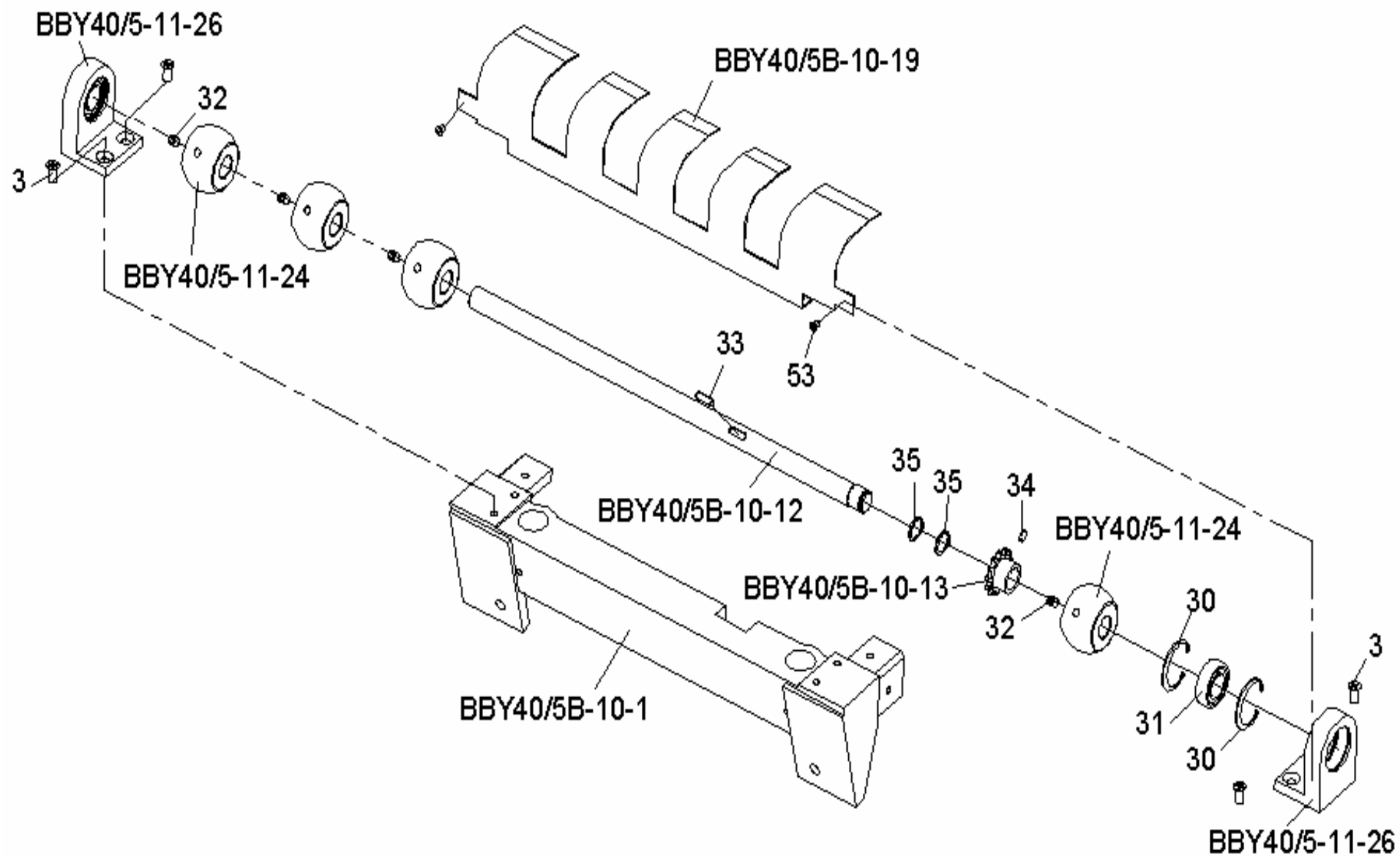
BBY40/5B-10-00 出书输送台 PART A



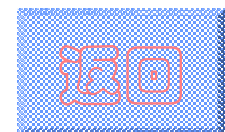


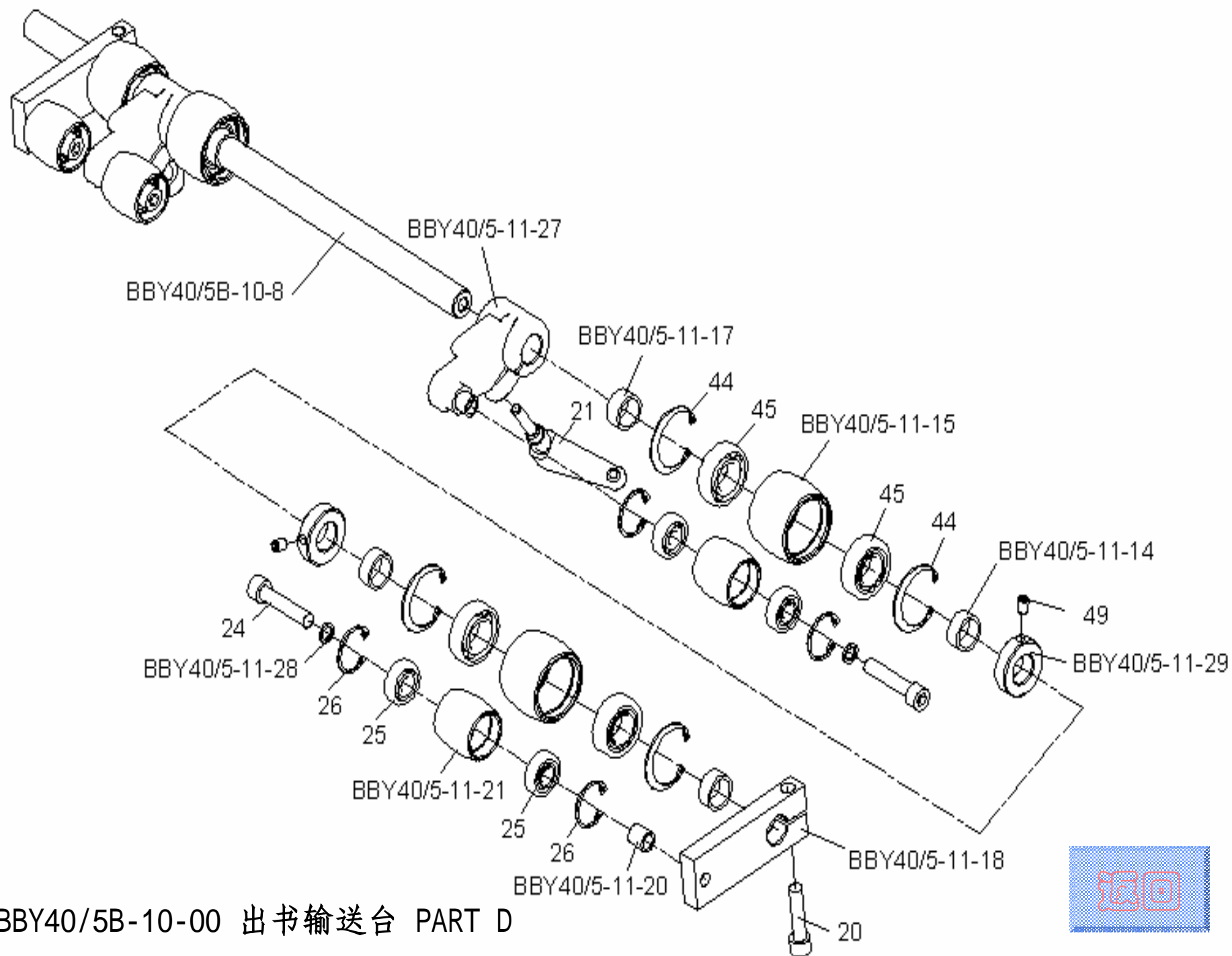
BBY40/5B-10-00 出书输送台 PART B



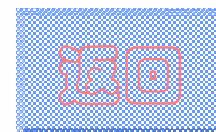


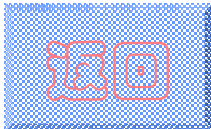
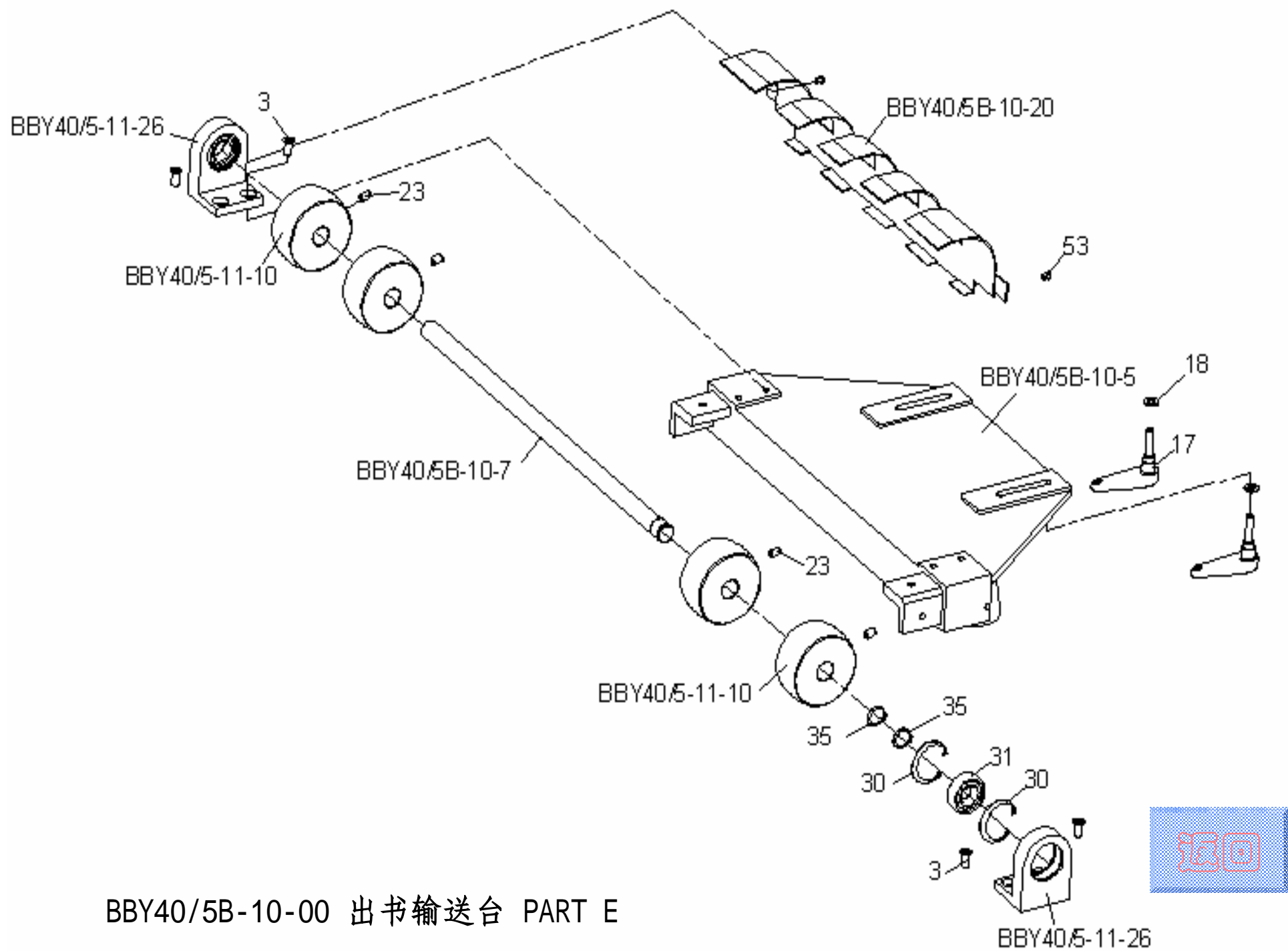
BBY40/5B-10-00 出书输送台 PART C





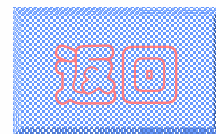
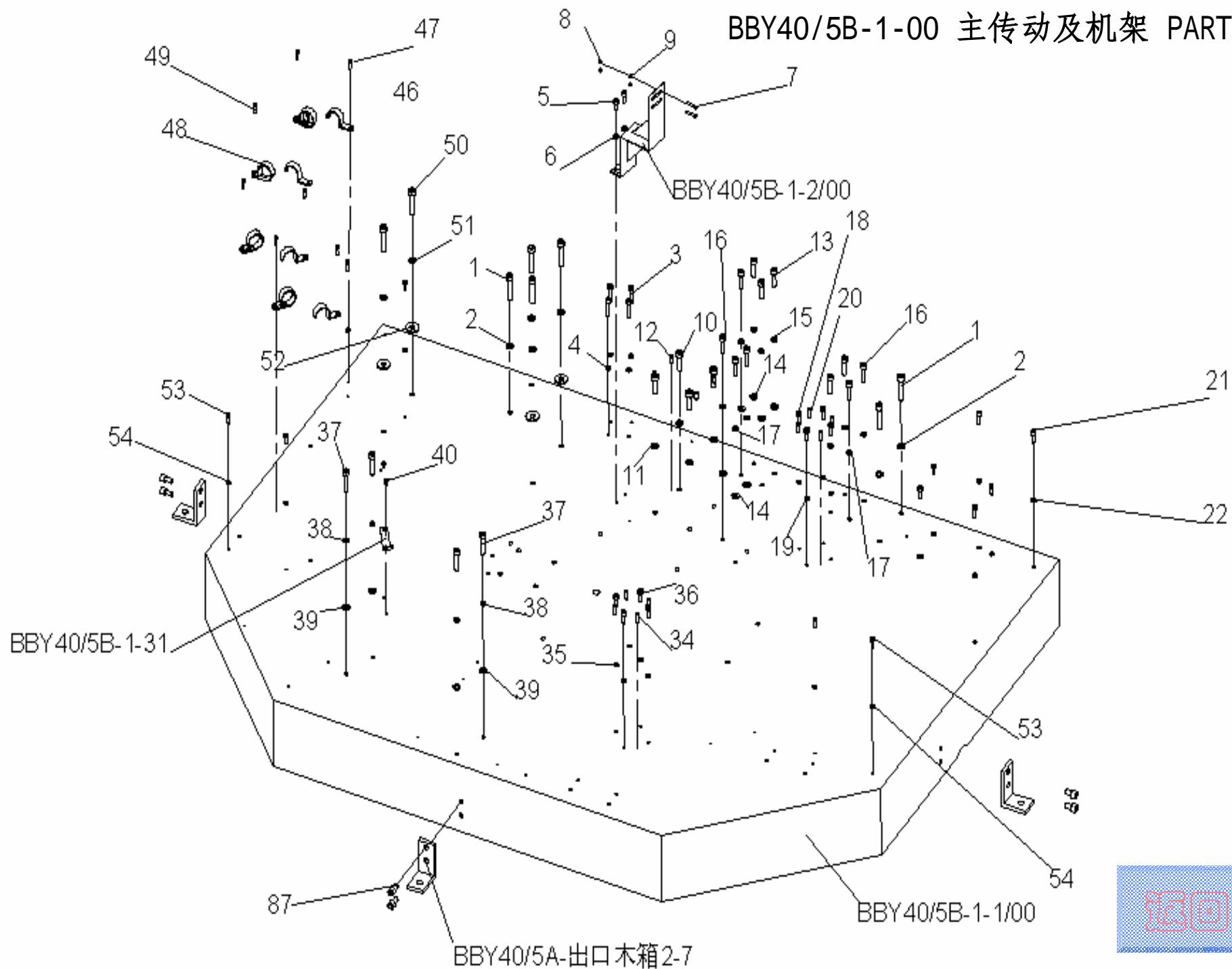
BBY40/5B-10-00 出书输送台 PART D



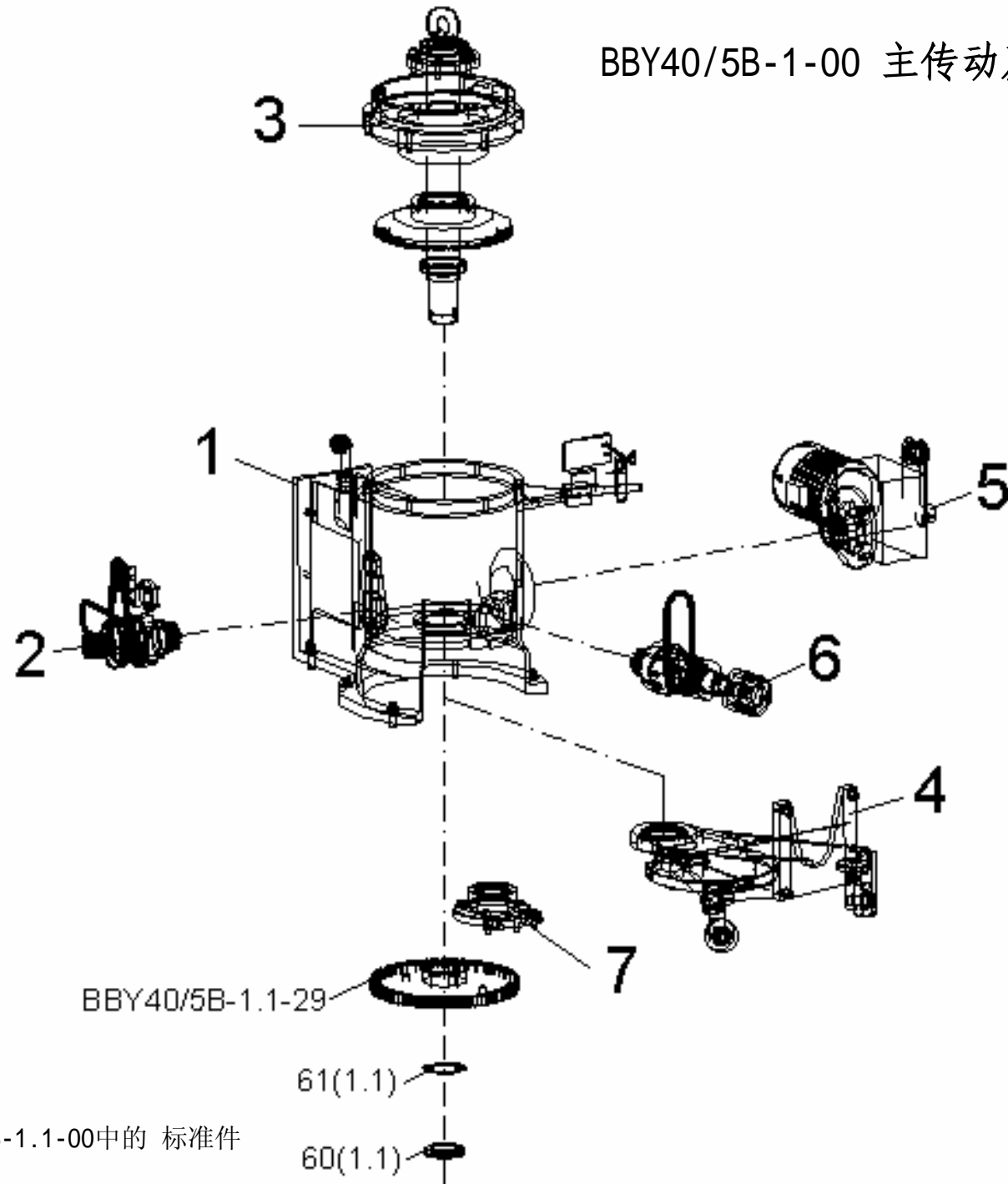


BBY40/5B-10-00 出书输送台 PART E

BBY40/5B-1-00 主传动及机架 PART A

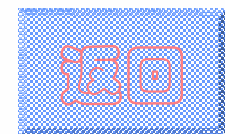
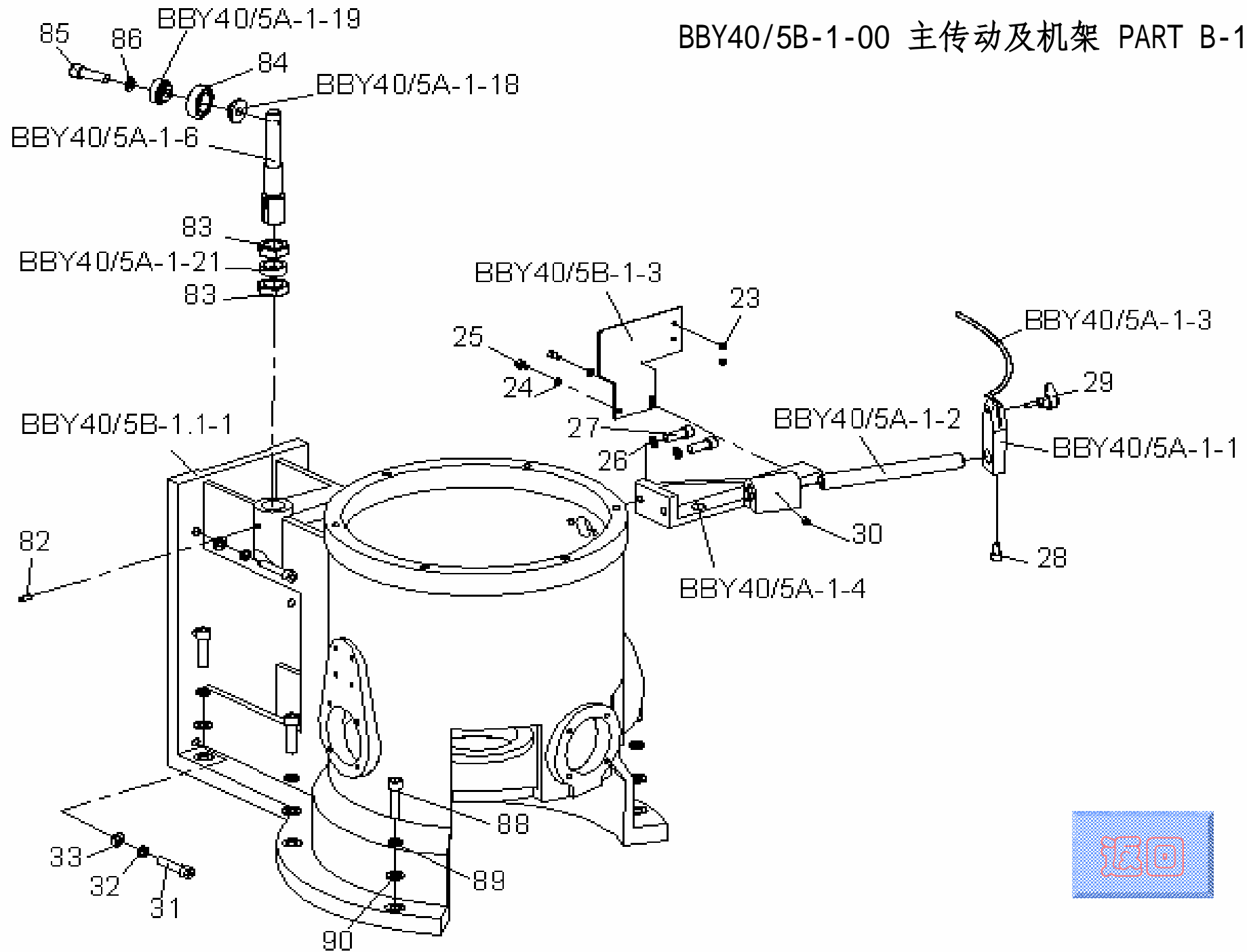


BBY40/5B-1-00 主传动及机架 PART B

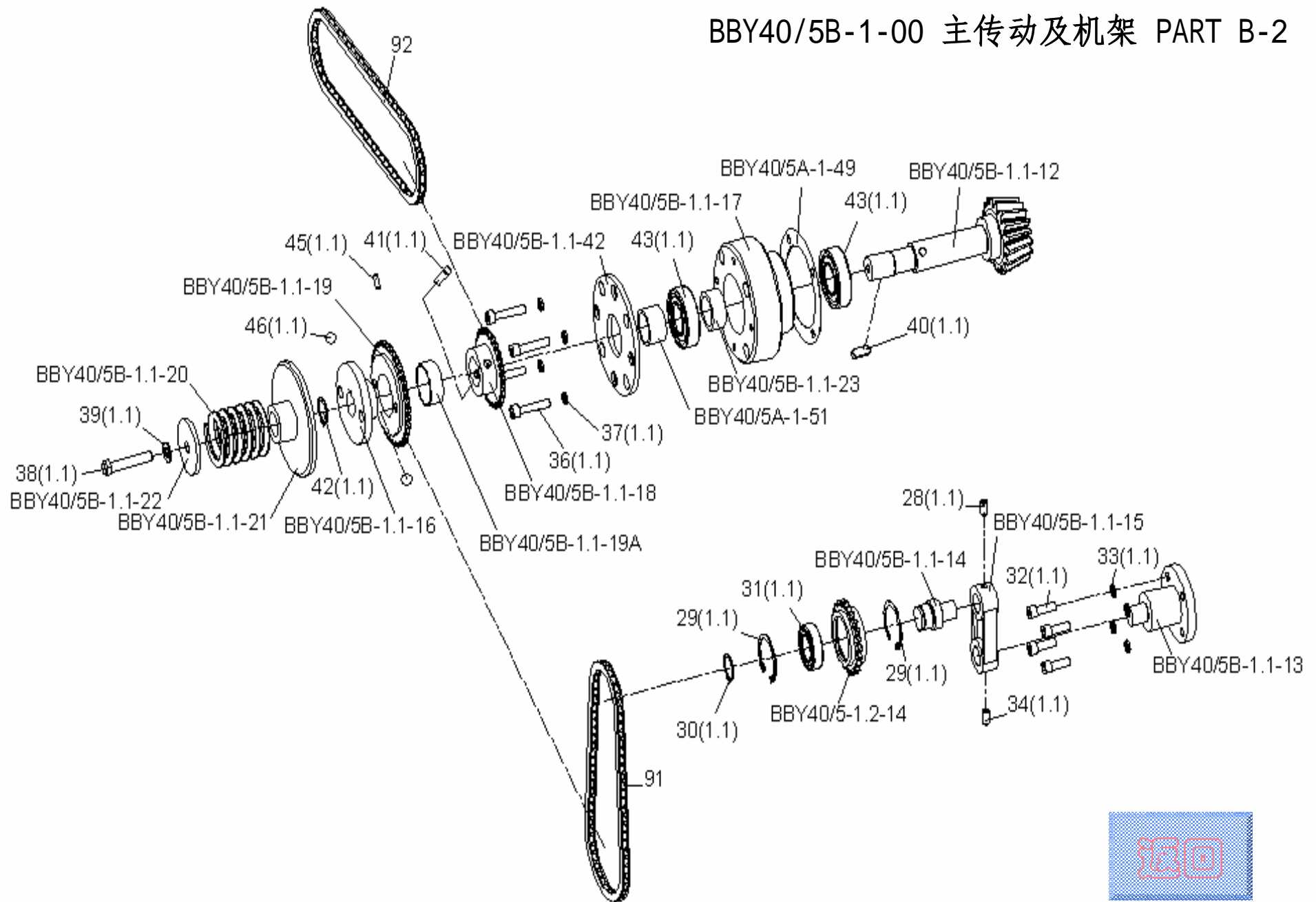


(1.1)表示BBY40/5B-1.1-00中的 标准件

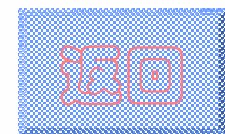
BBY40/5B-1-00 主传动及机架 PART B-1



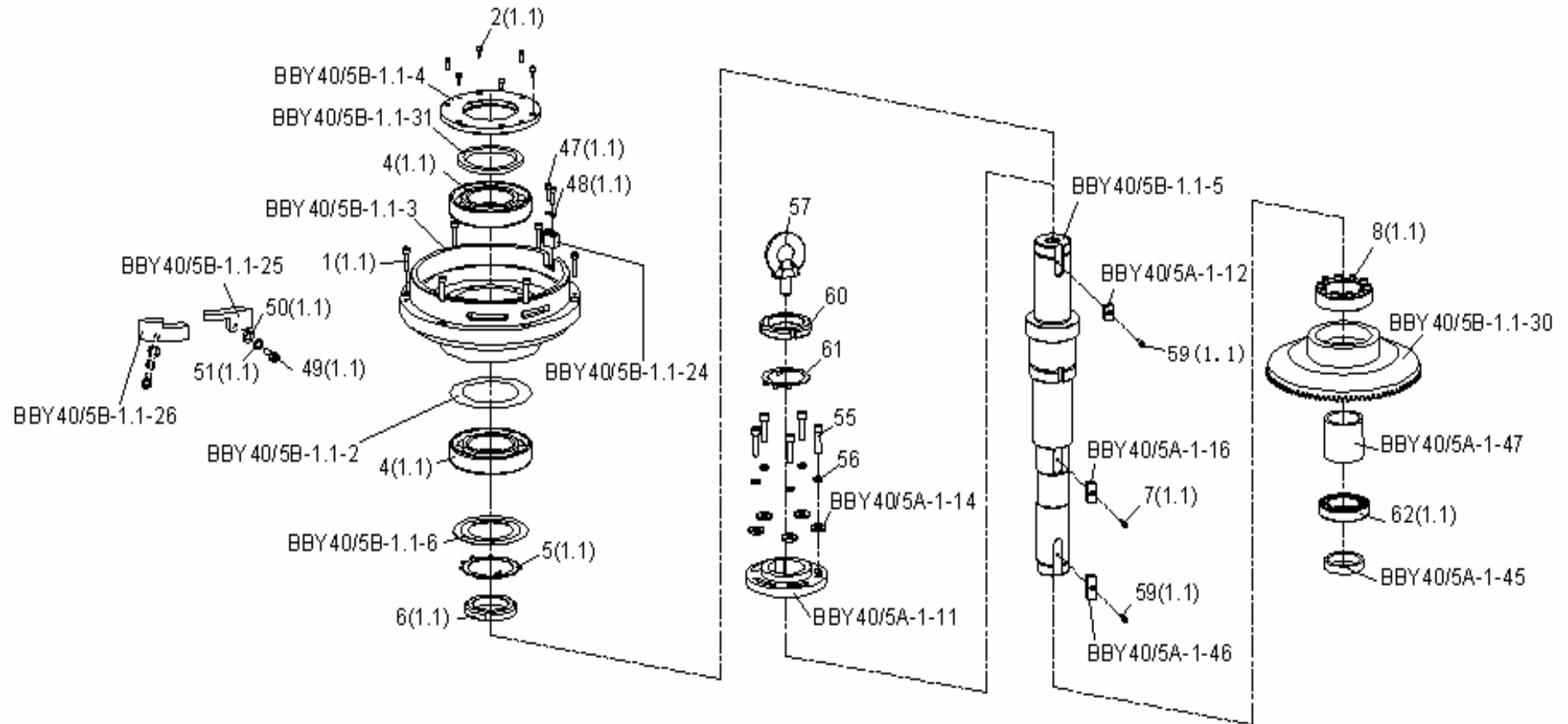
BBY40/5B-1-00 主传动及机架 PART B-2



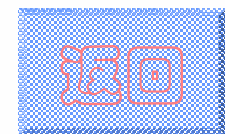
(1.1)表示BBY40/5B-1.1-00中的 标准件



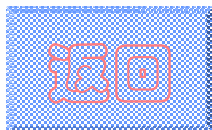
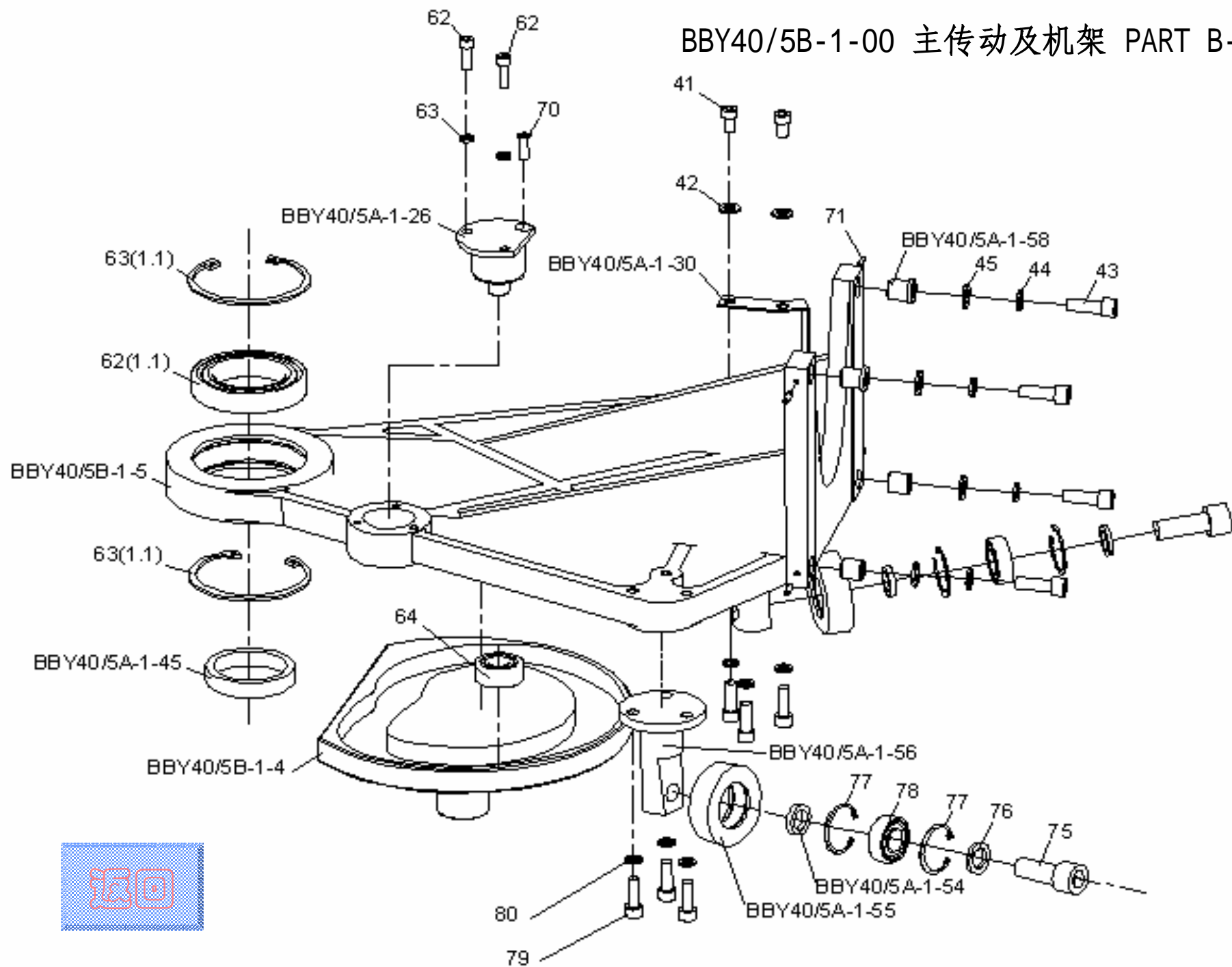
BBY40/5B-1-00 主传动及机架 PART B-3



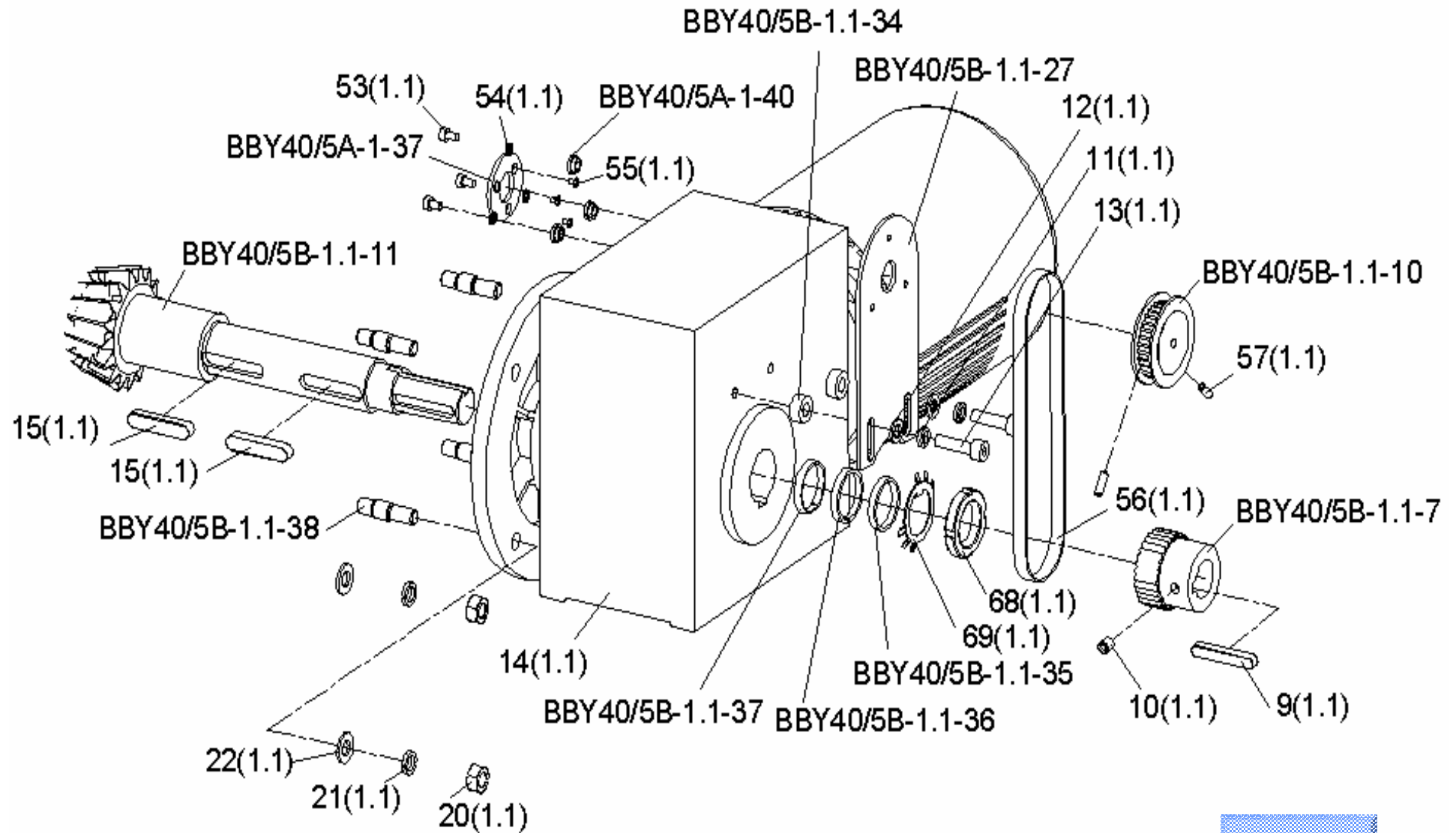
(1.1)表示BBY40/5B-1.1-00中的 标准件



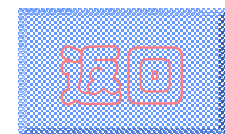
BBY40/5B-1-00 主传动及机架 PART B-4



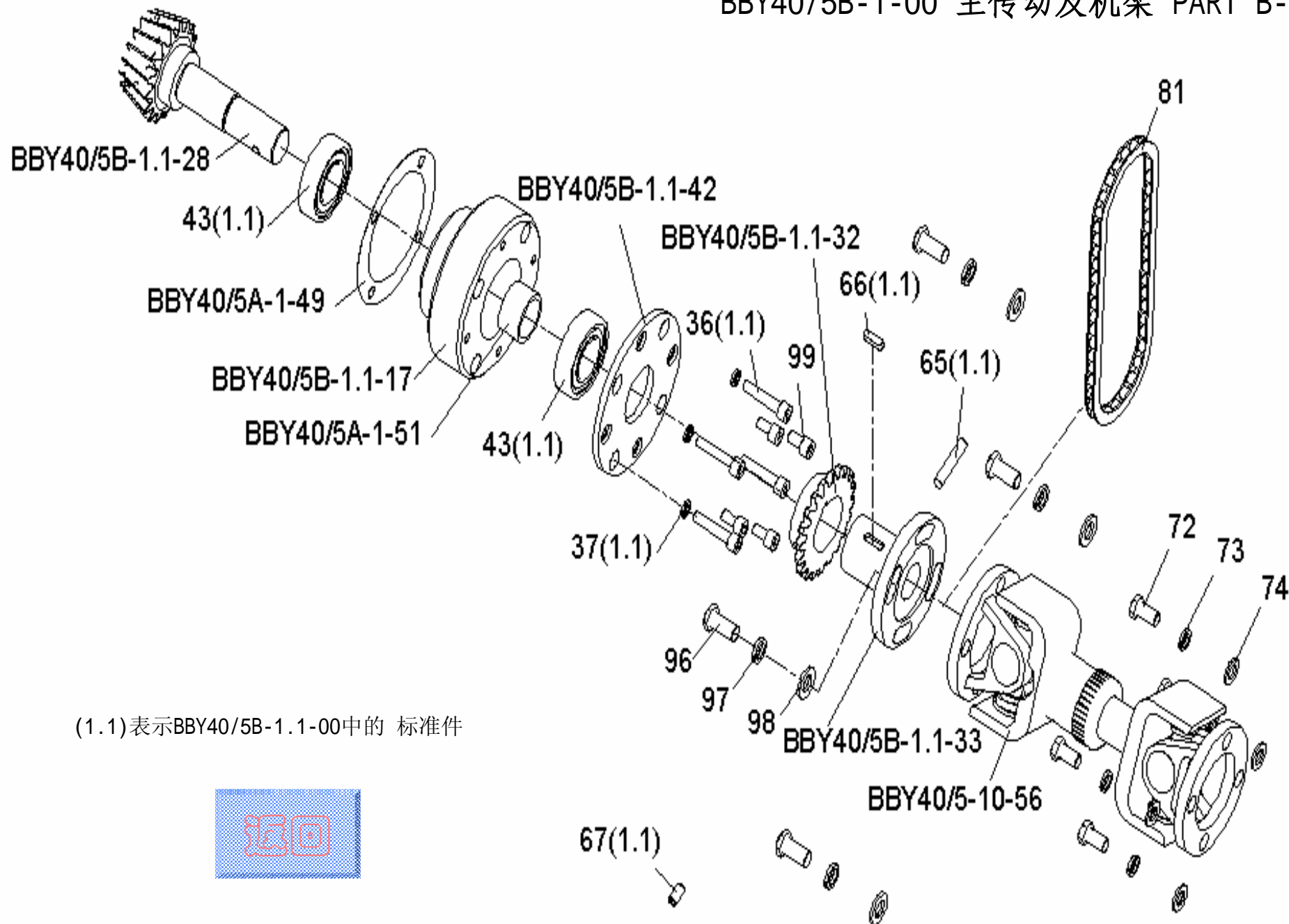
BBY40/5B-1-00 主传动及机架 PART B-5



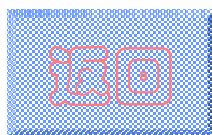
(1.1)表示BBY40/5B-1.1-00中的 标准件



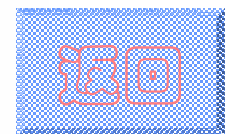
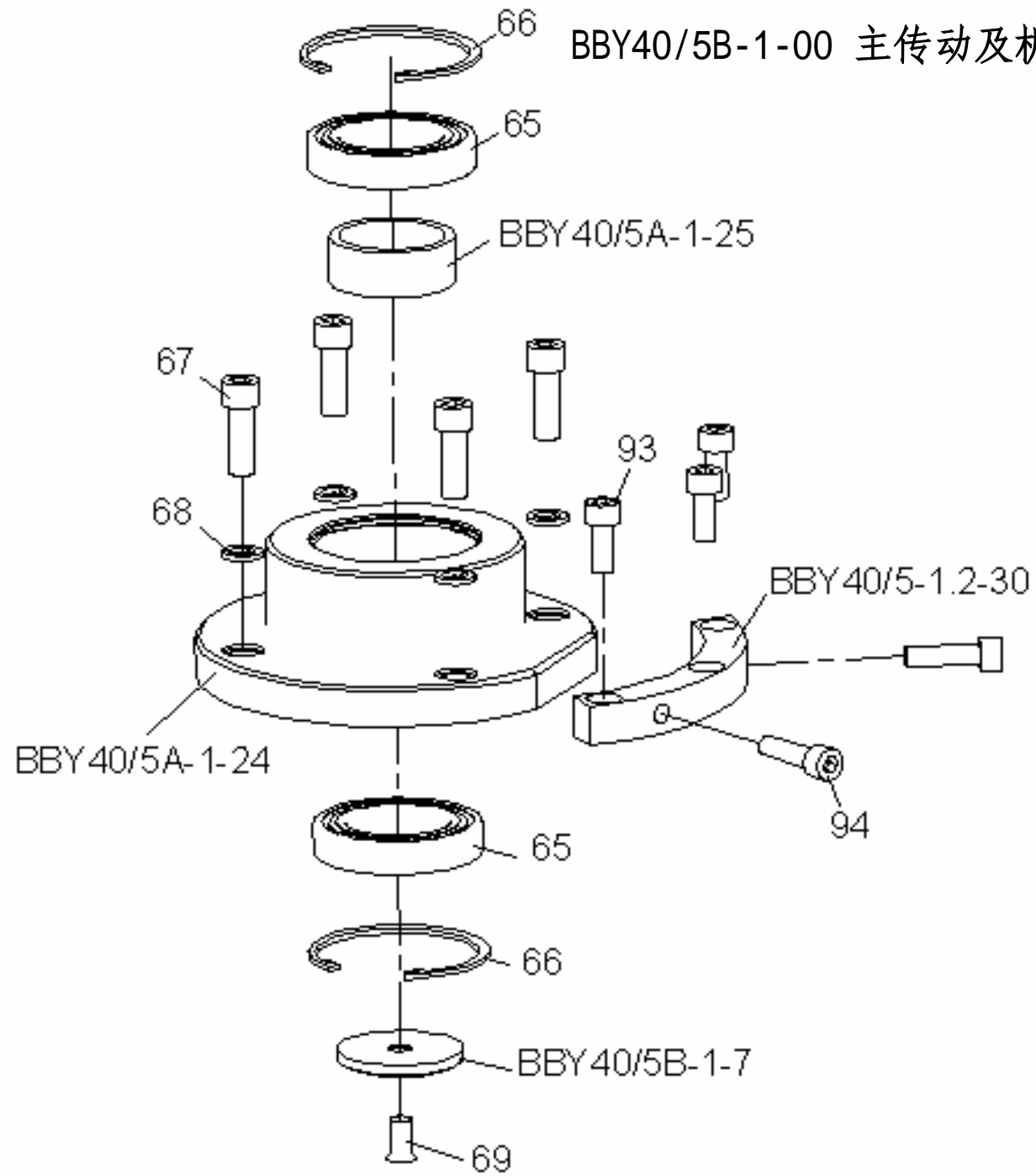
BBY40/5B-1-00 主传动及机架 PART B-6

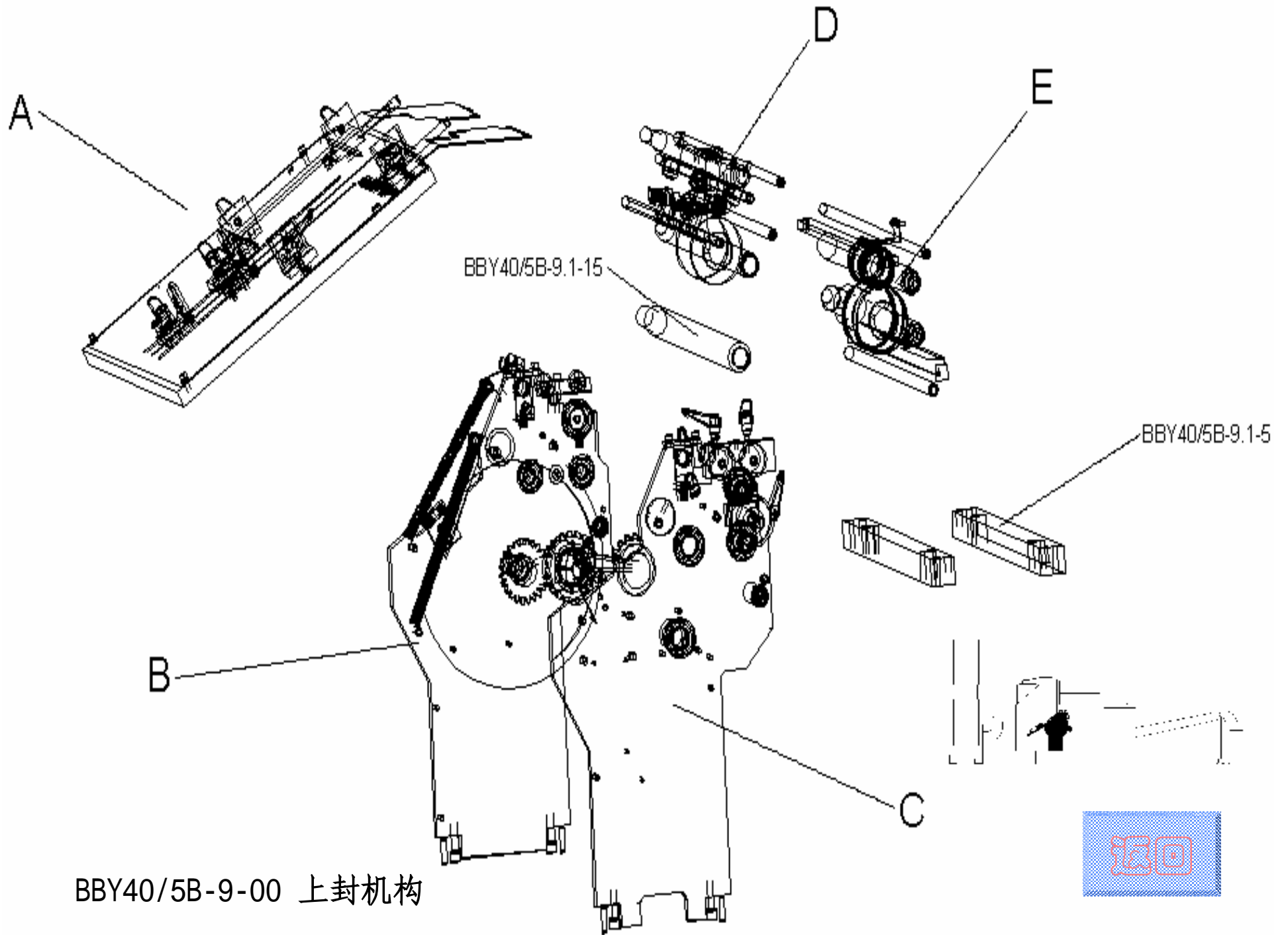


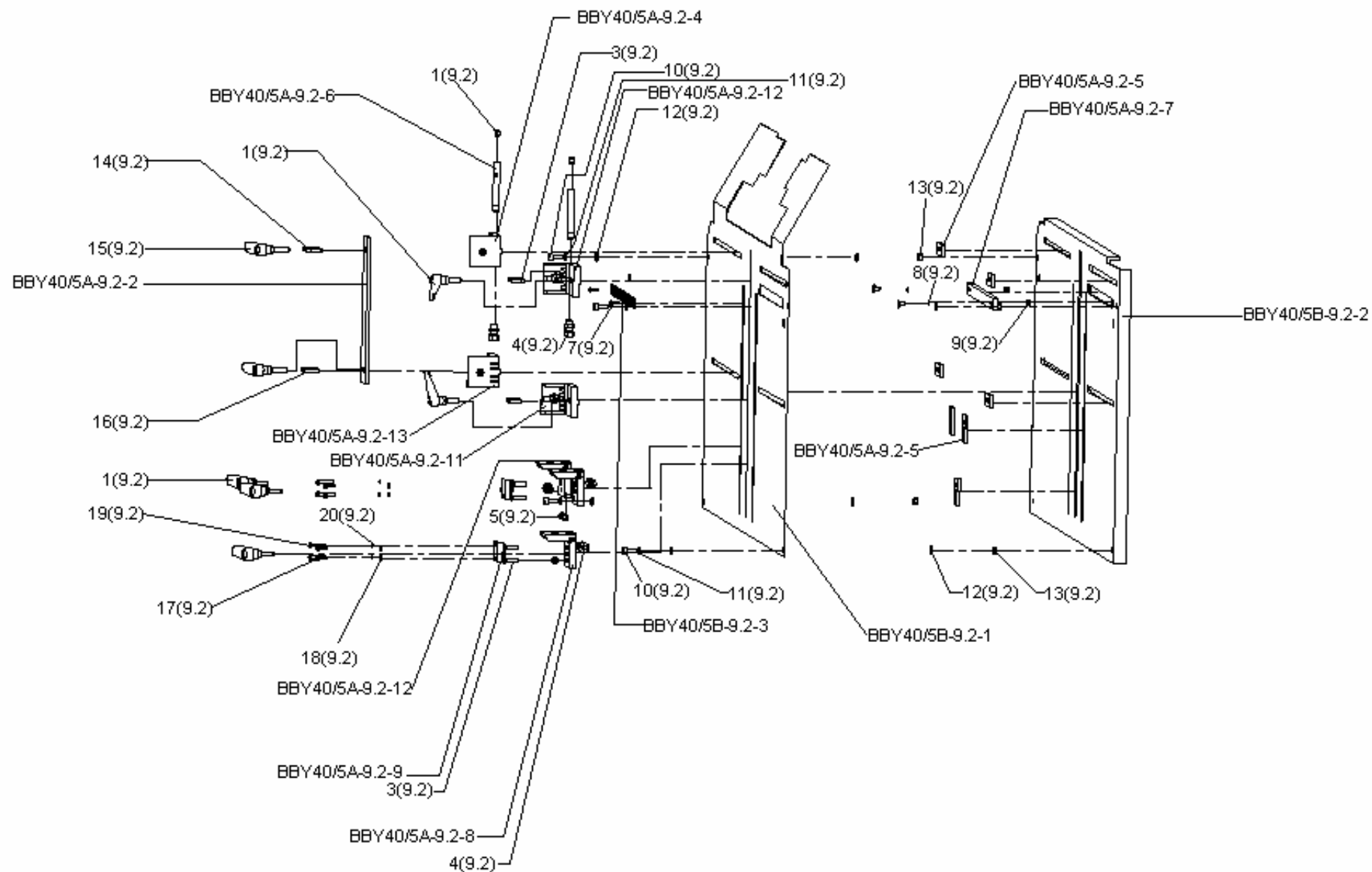
(1.1)表示BBY40/5B-1.1-00中的 标准件



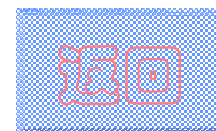
BBY40/5B-1-00 主传动及机架 PART B-7

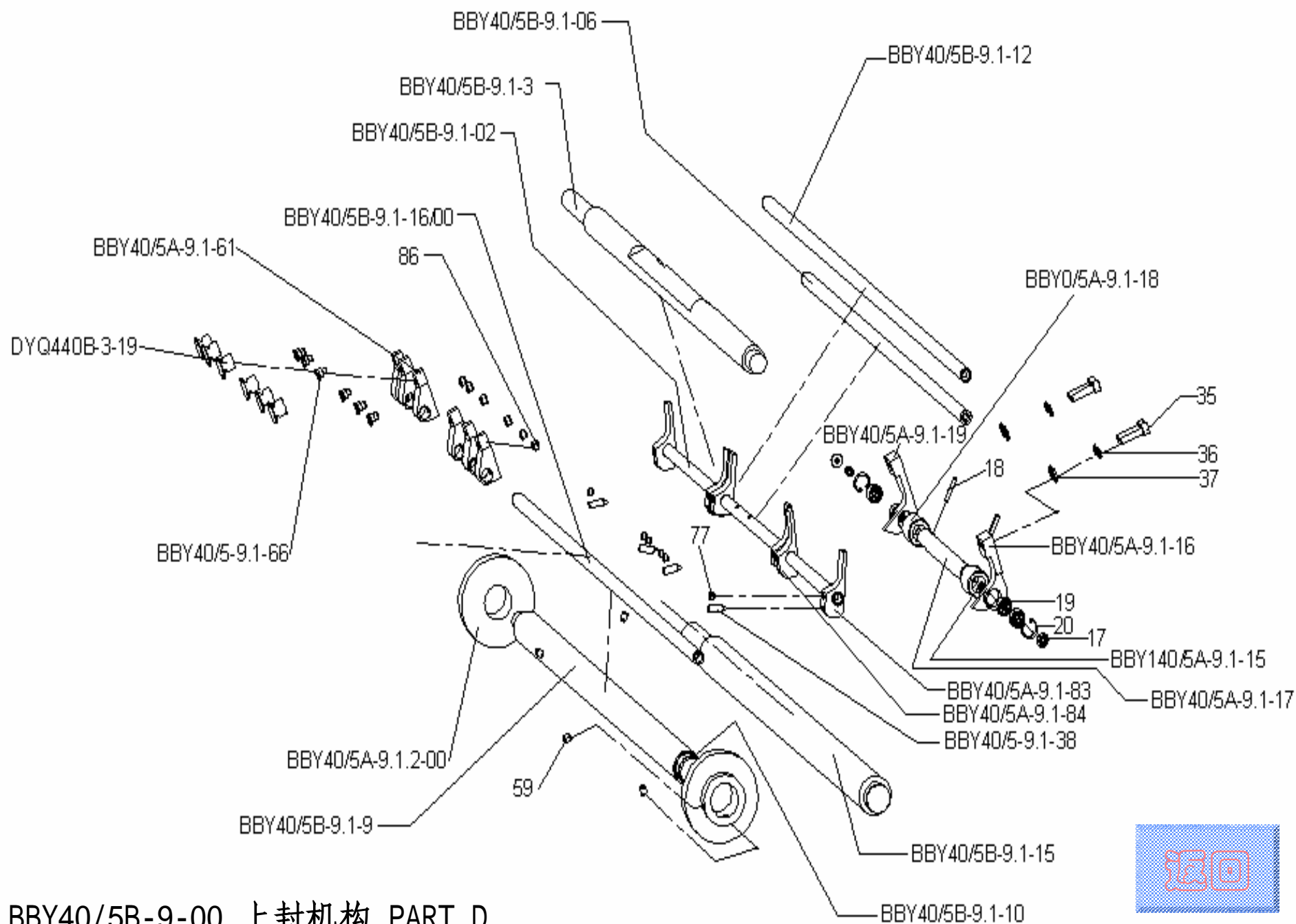




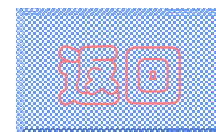
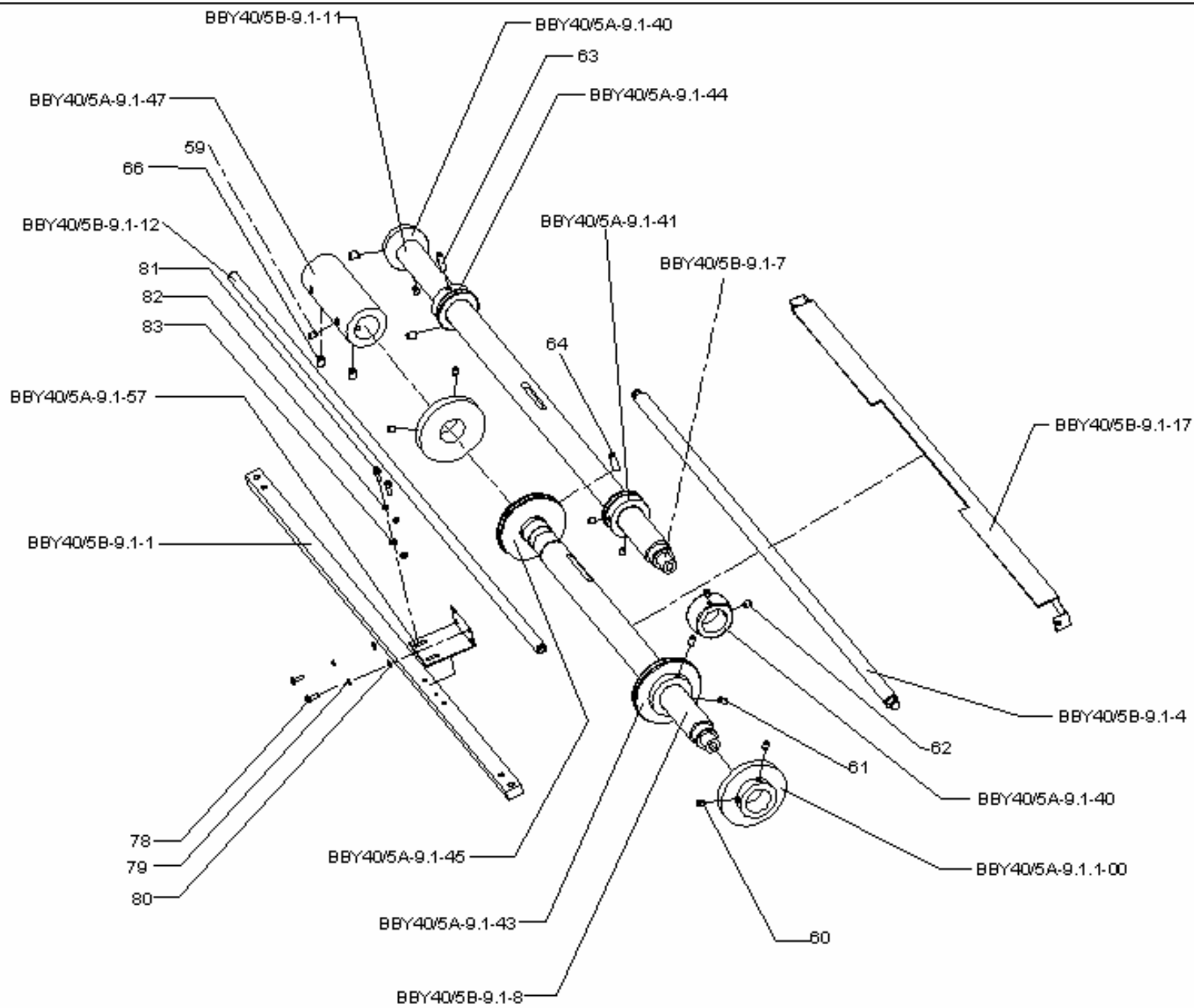


BBY40/5B-9-00 上封机构 PART A

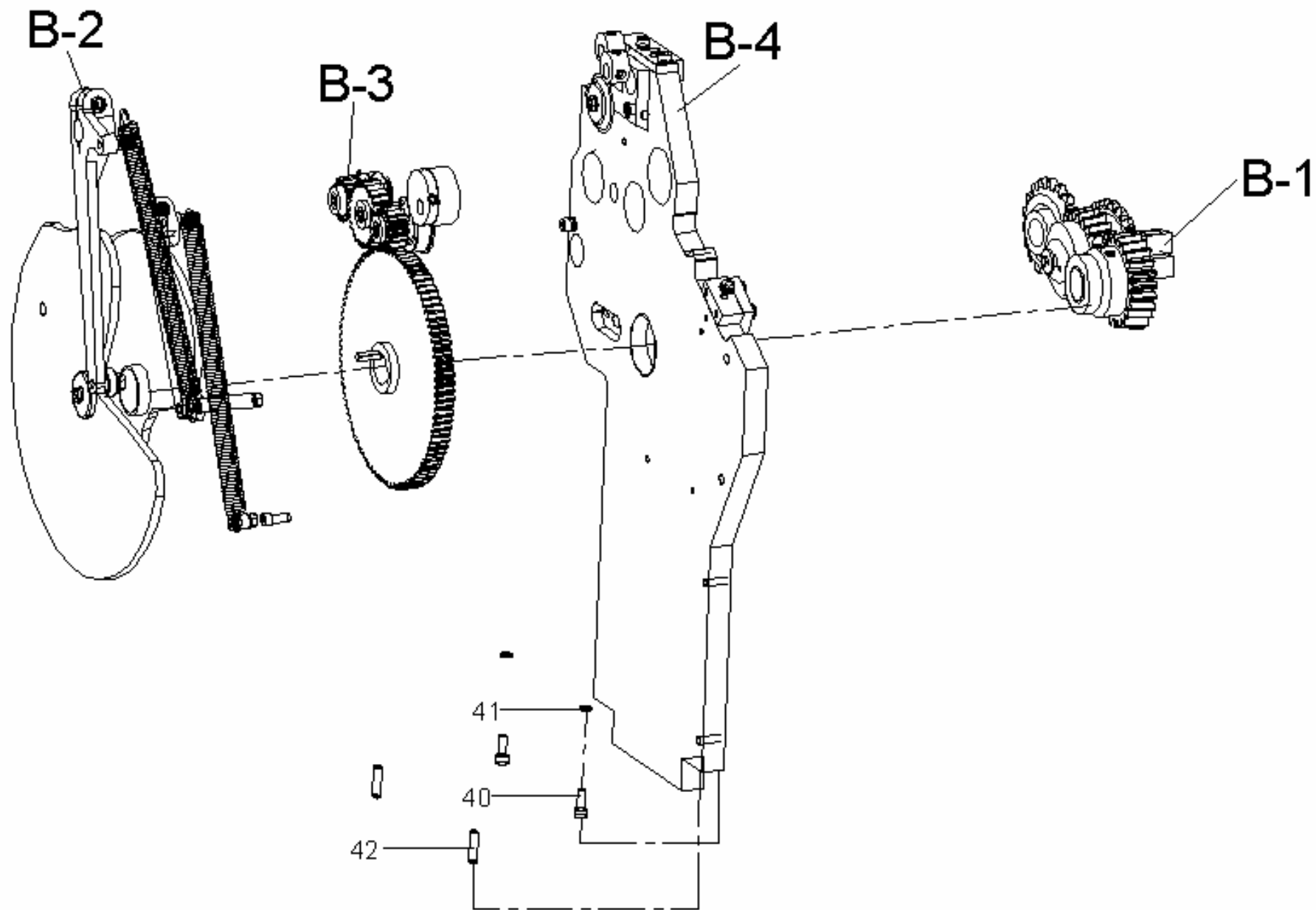




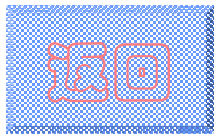
BBY40/5B-9-00 上封机构 PART D

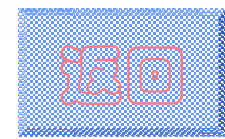
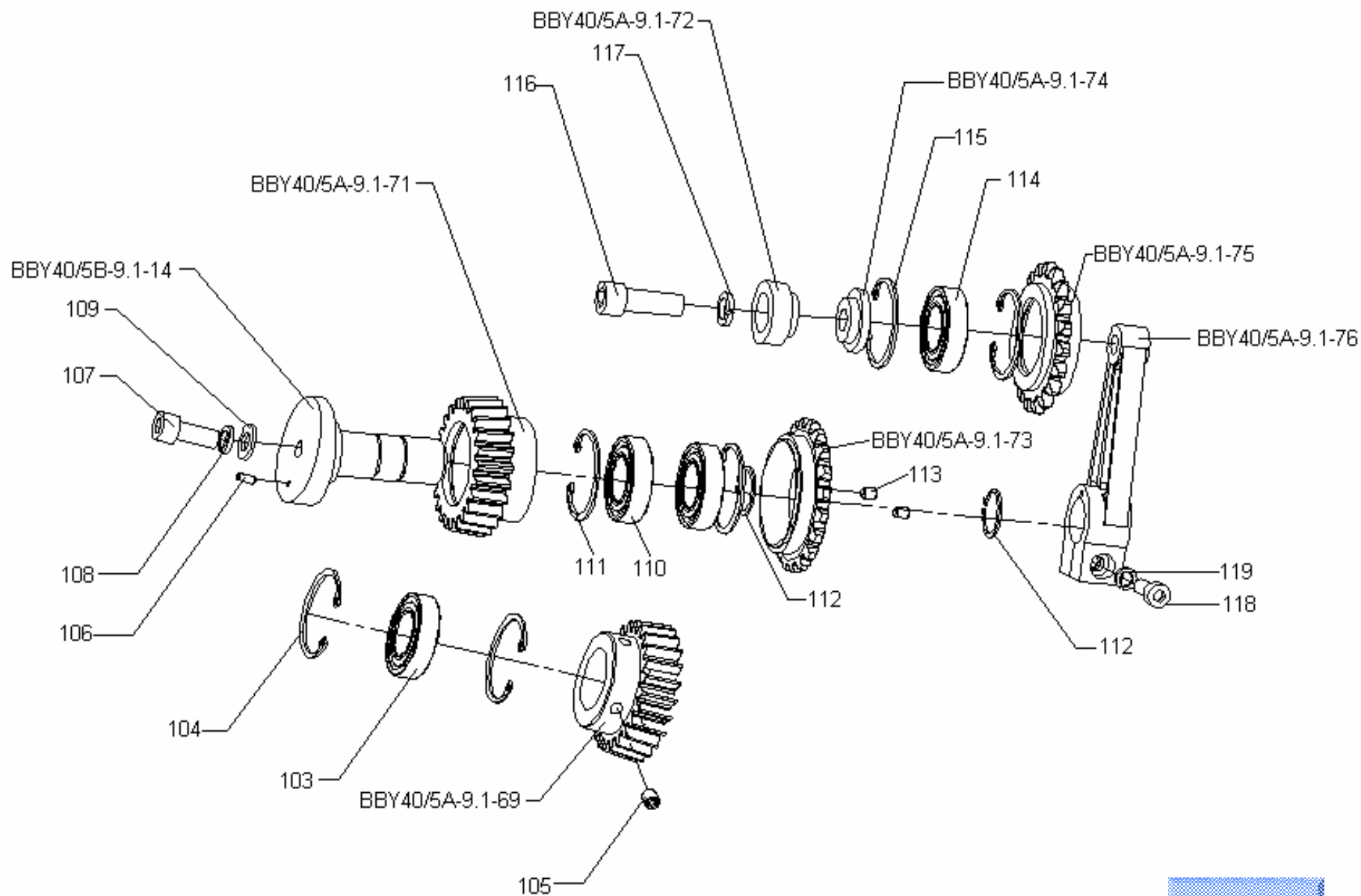


BBY40/5B-9-00 上封机构 PART E

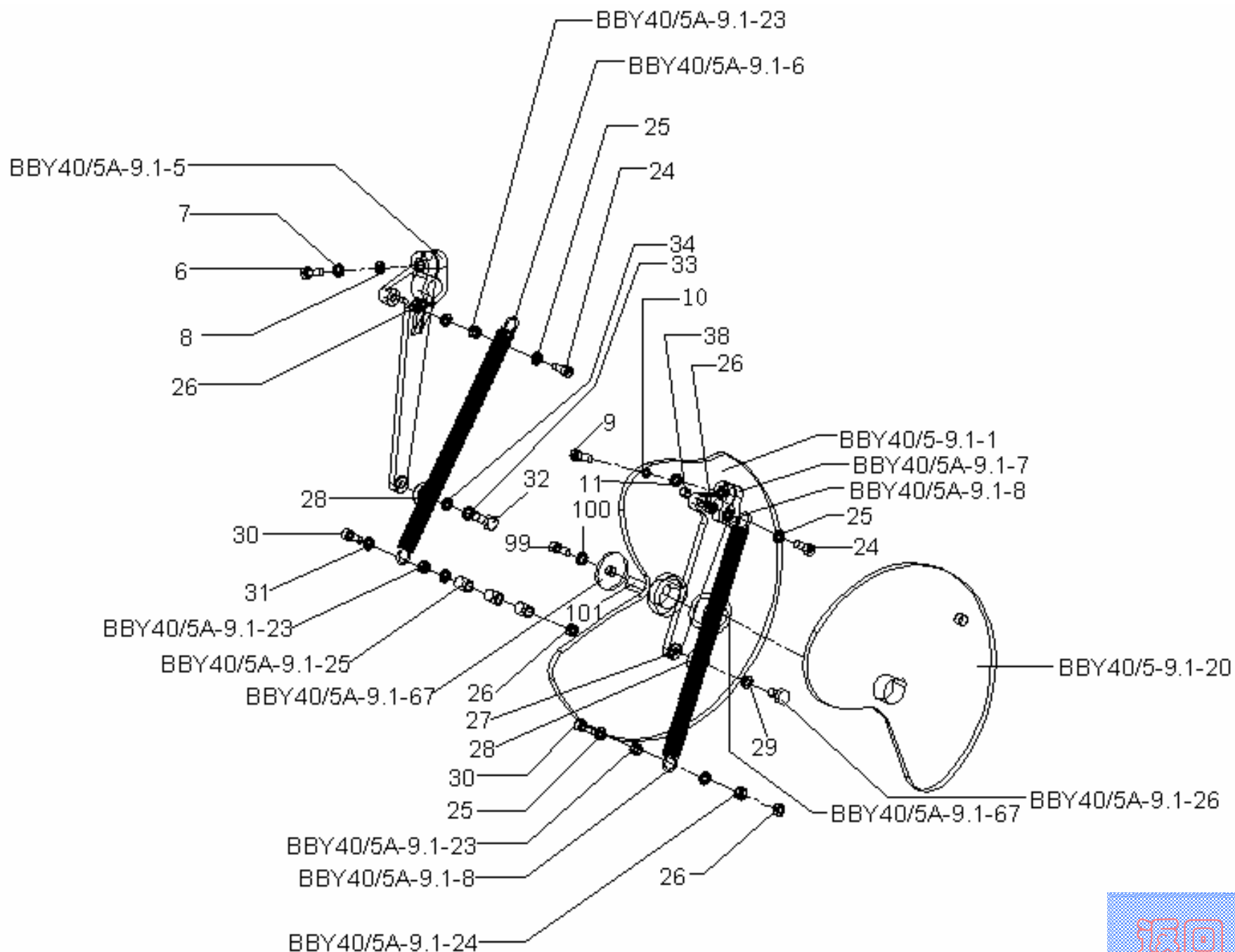


BBY40/5B-9-00 上封机构 PART B

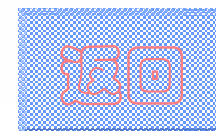


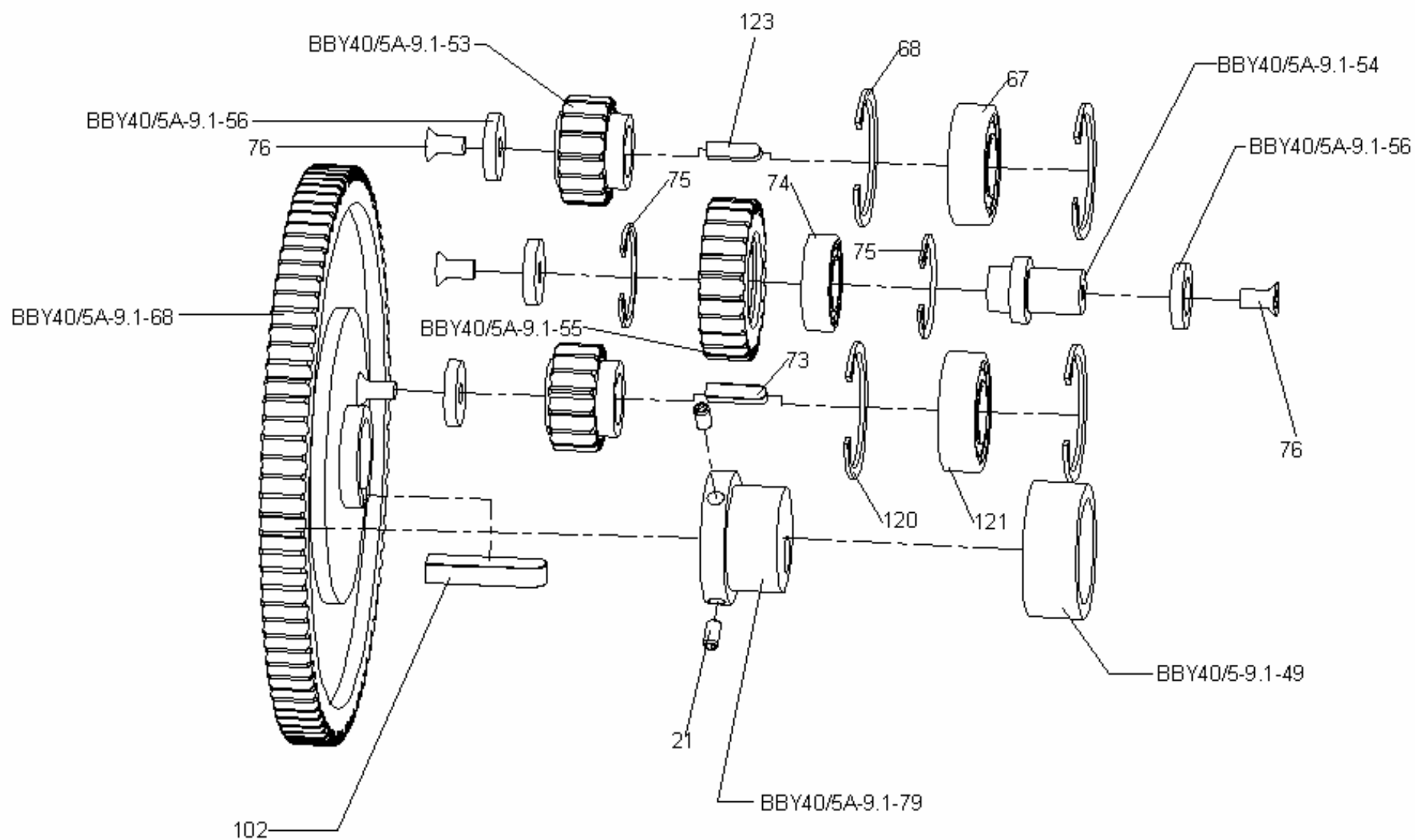


BBY40/5B-9-00 上封机构 PART B-1

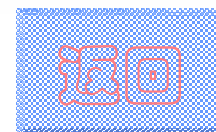


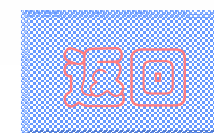
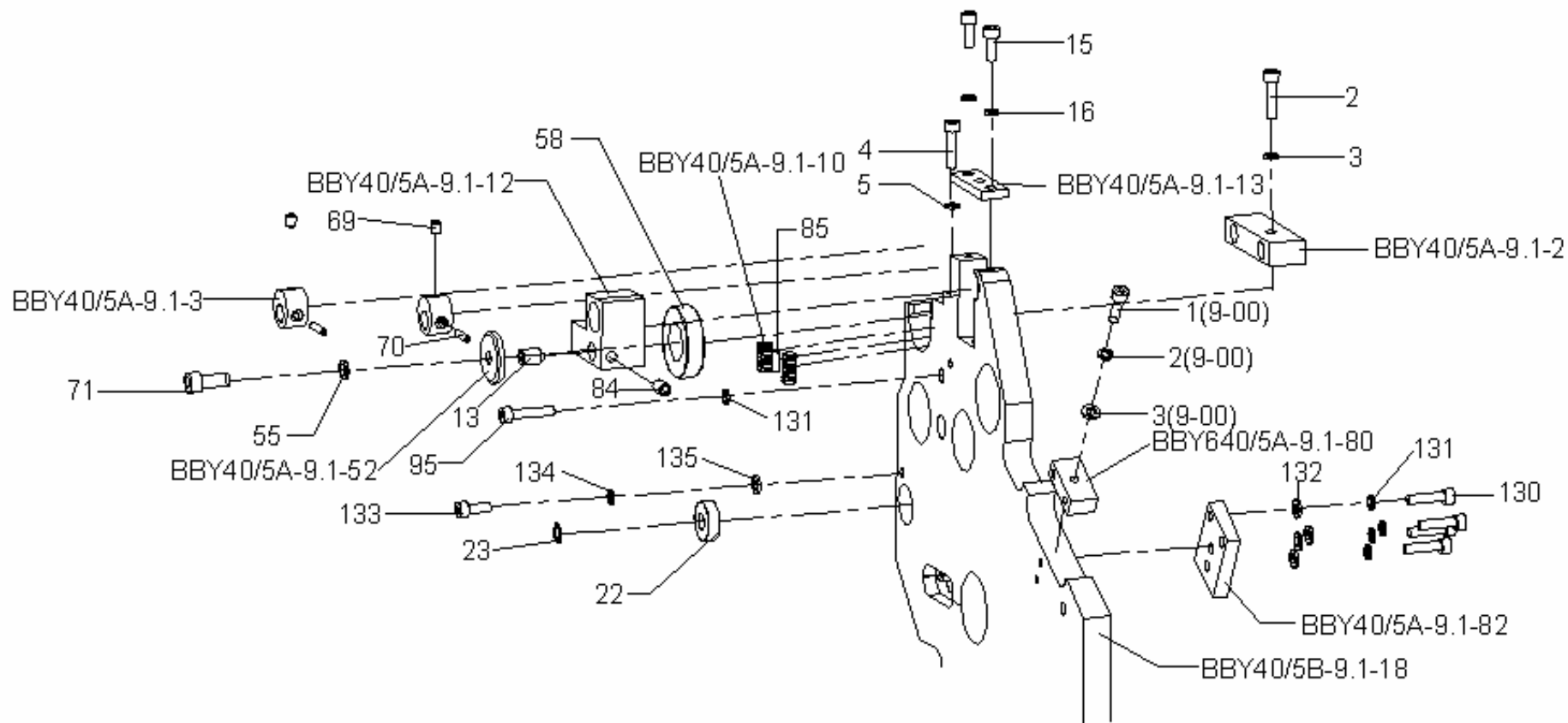
BBY40/5B-9-00 上封机构 PART B-2



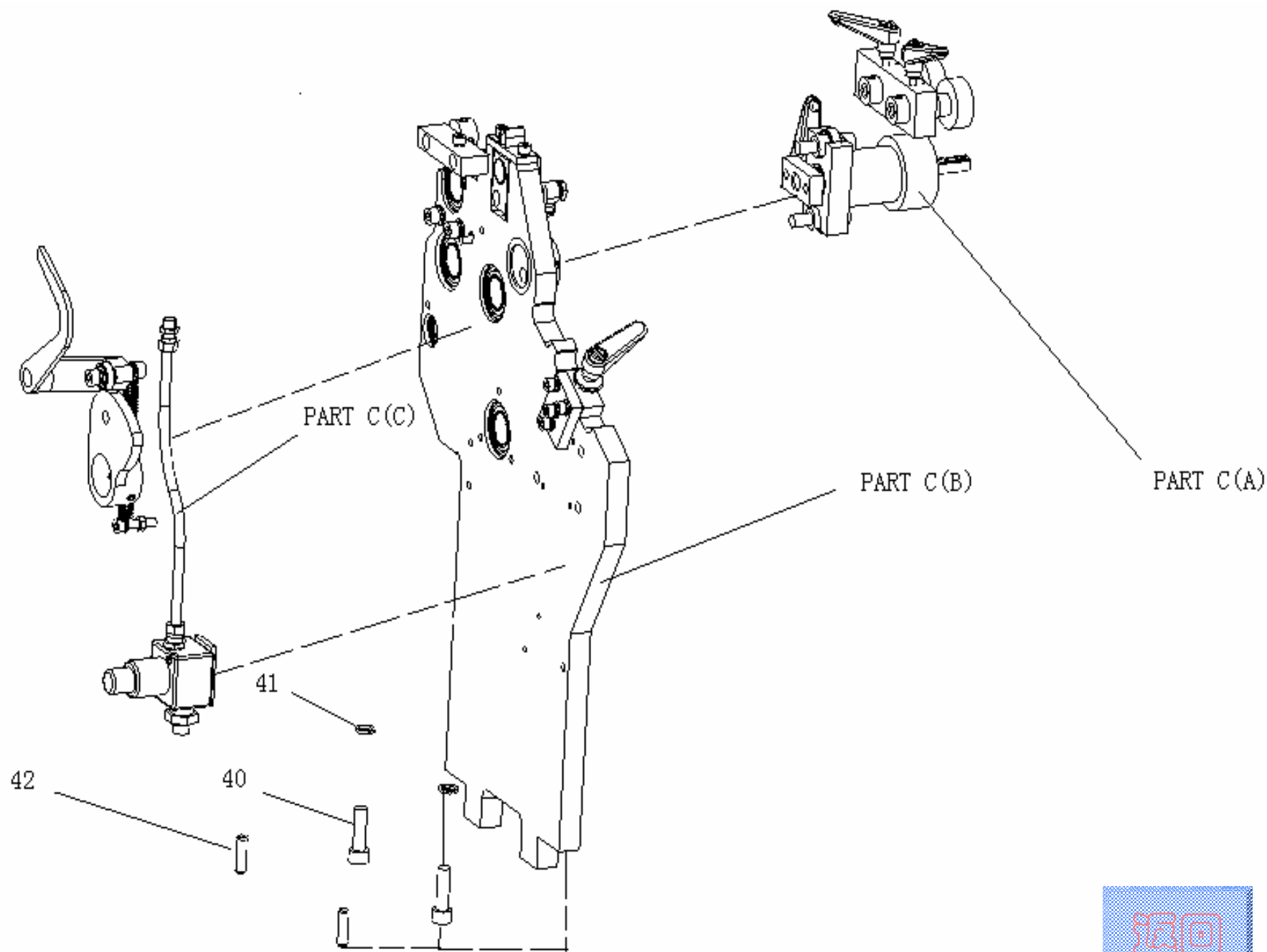


BBY40/5B-9-00 上封机构 PART B-3

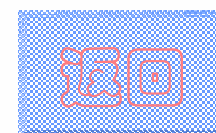


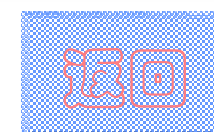
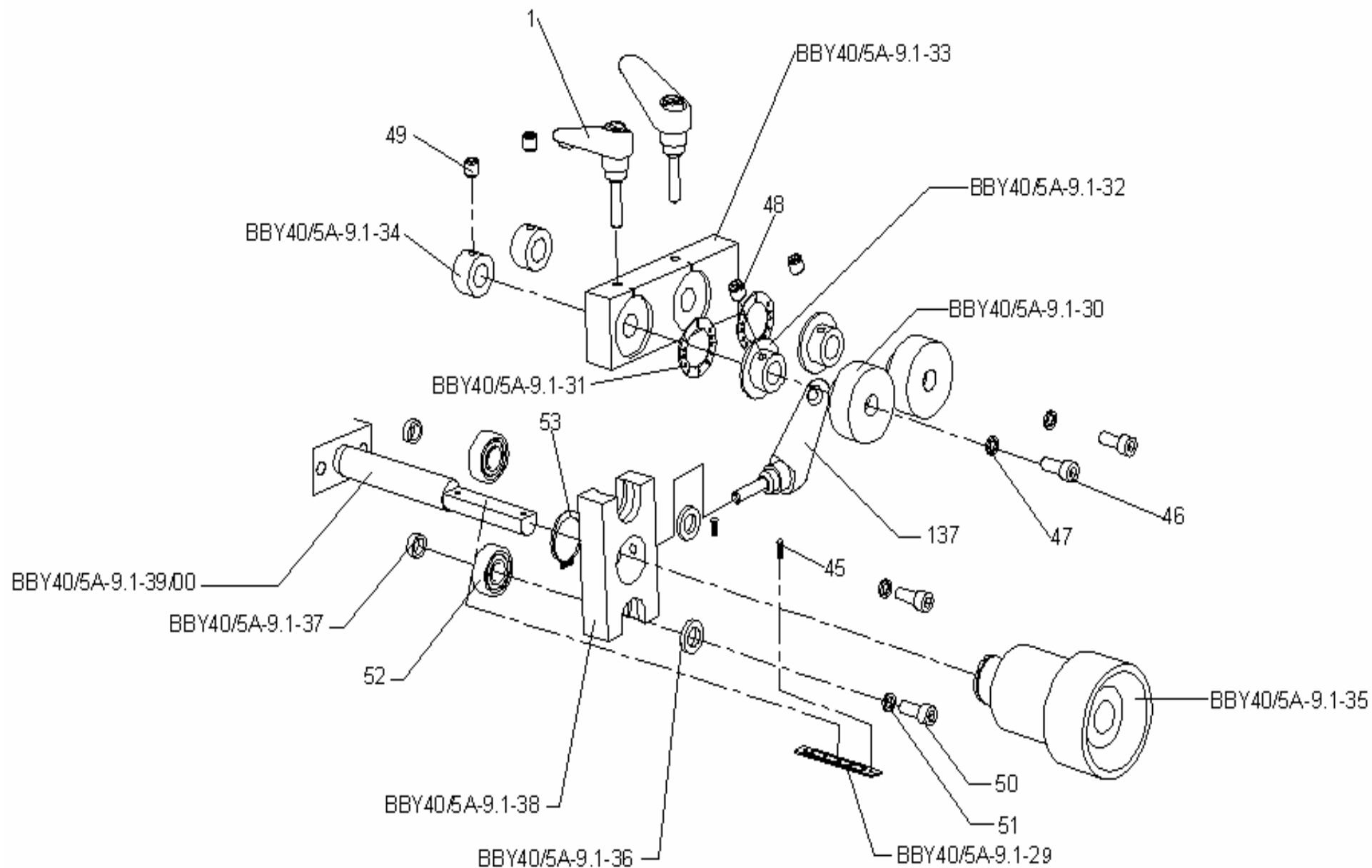


BBY40/5B-9-00 上封机构 PART B-4

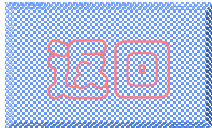
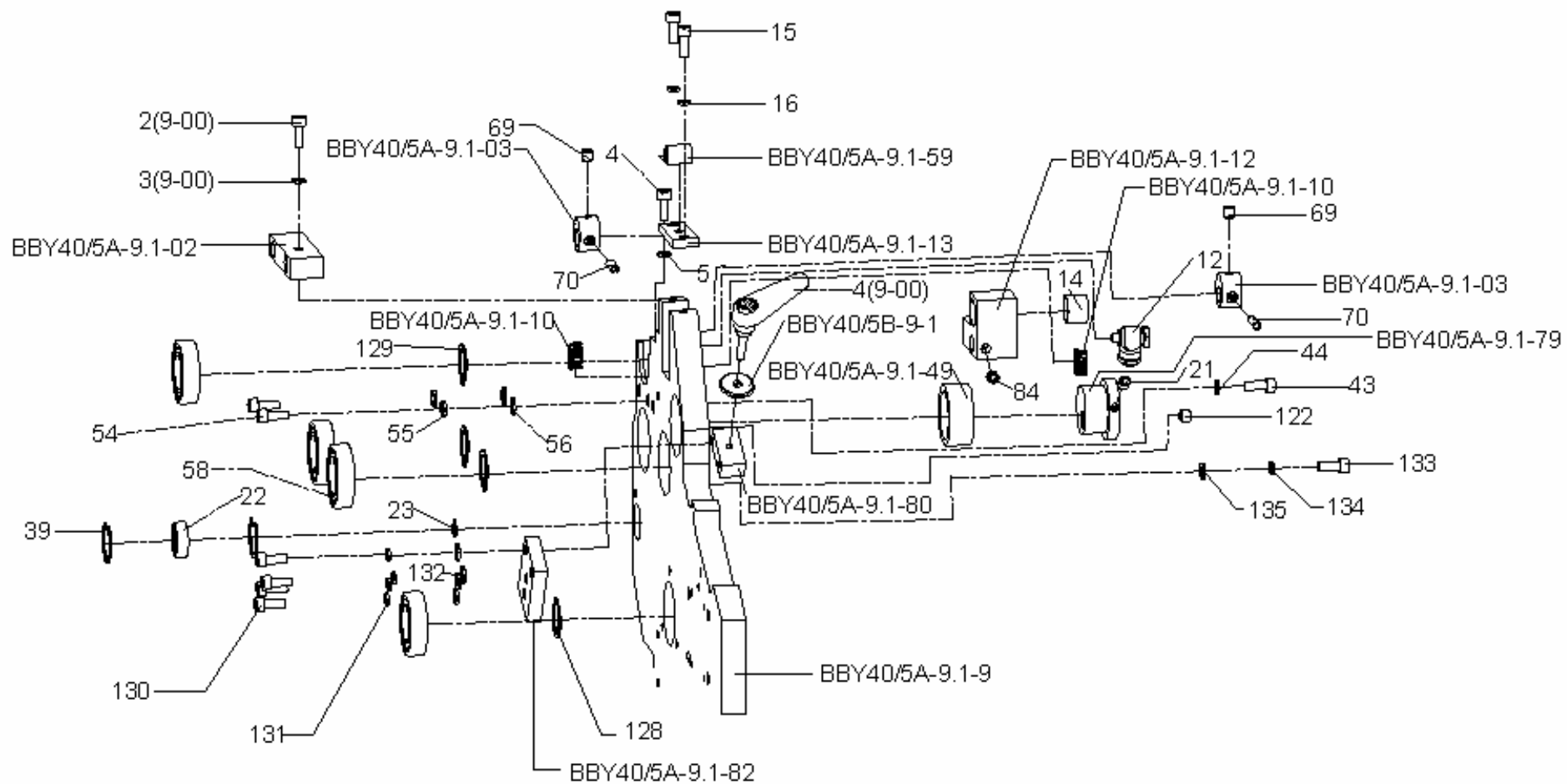


BBY40/5B-9-00 上封机构 PART C

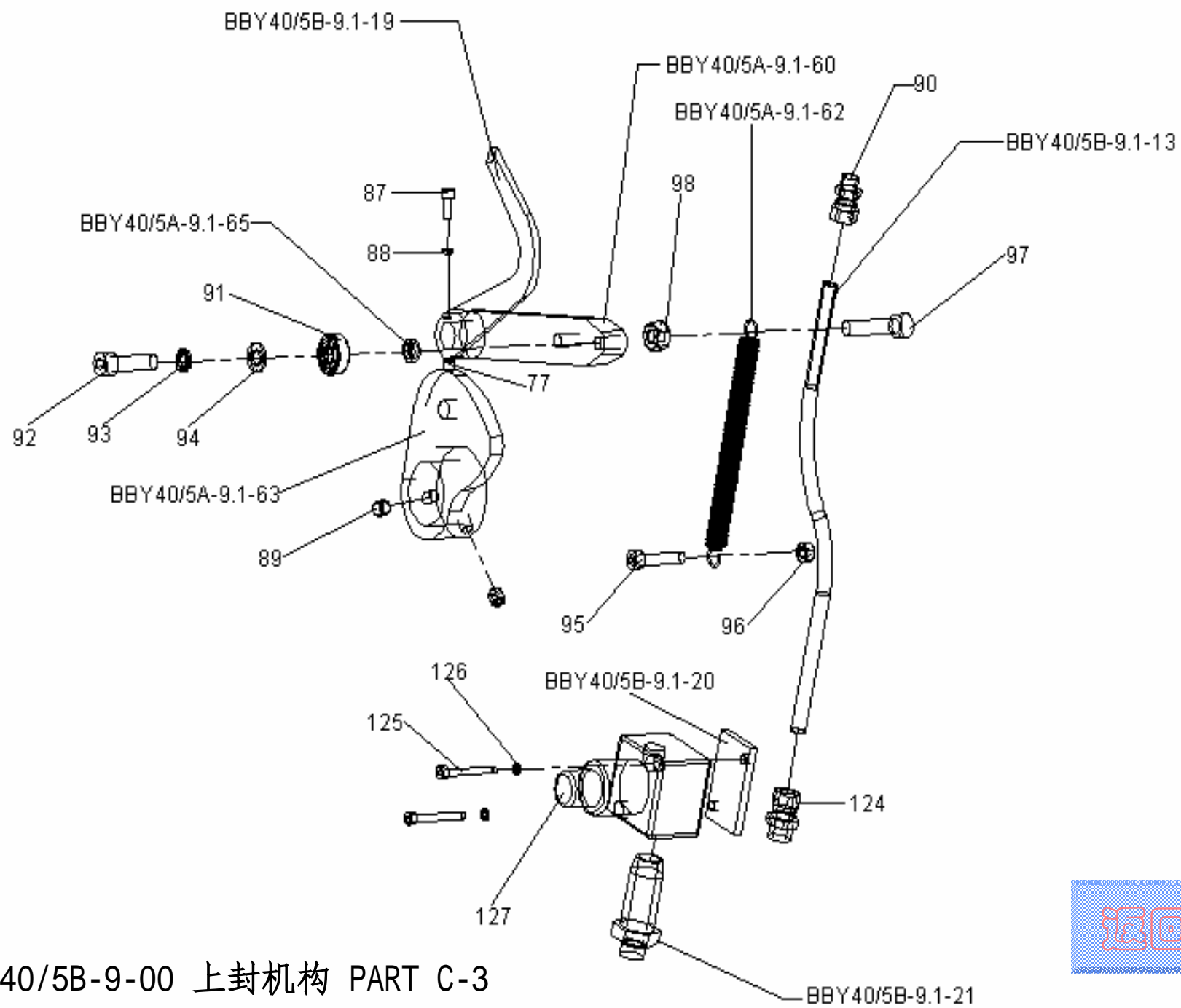




BBY40/5B-9-00 上封机构 PART C-1

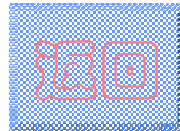


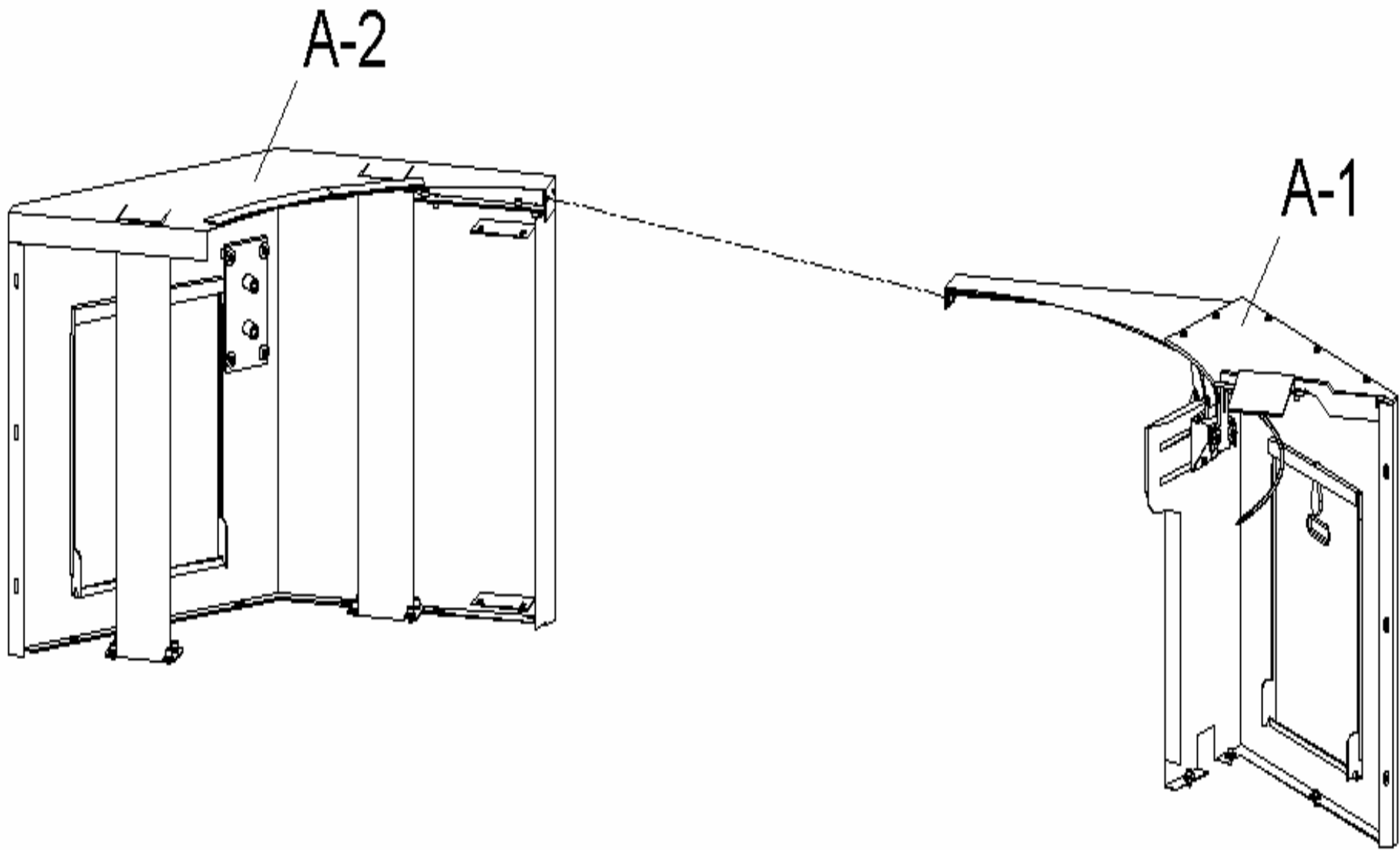
BBY40/5B-9-00 上封机构 PART C-2



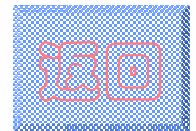
BBY40/5B-9-00 上封机构 PART C-3

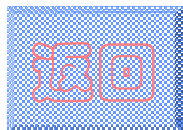
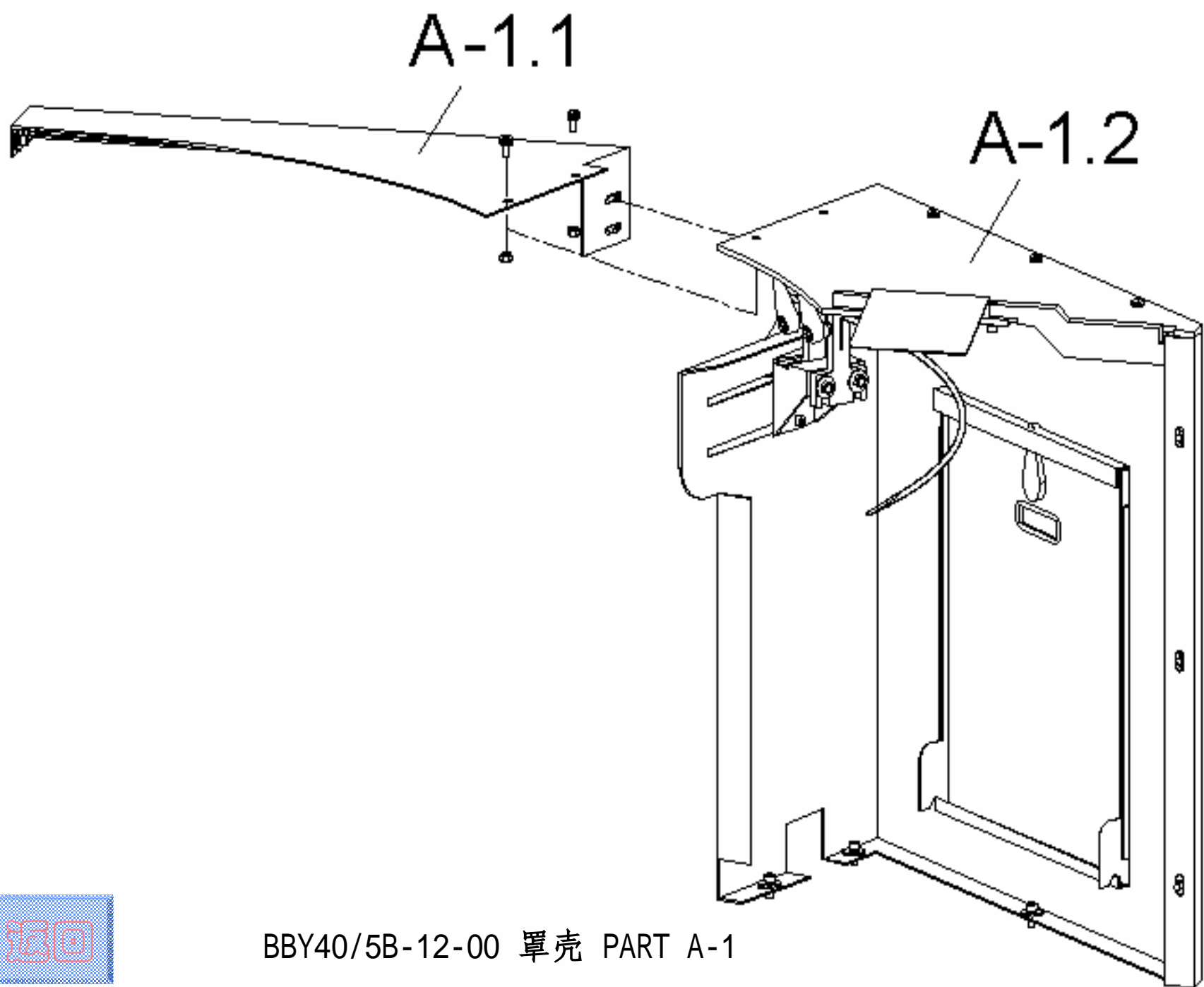
BBY40/5B-12-00



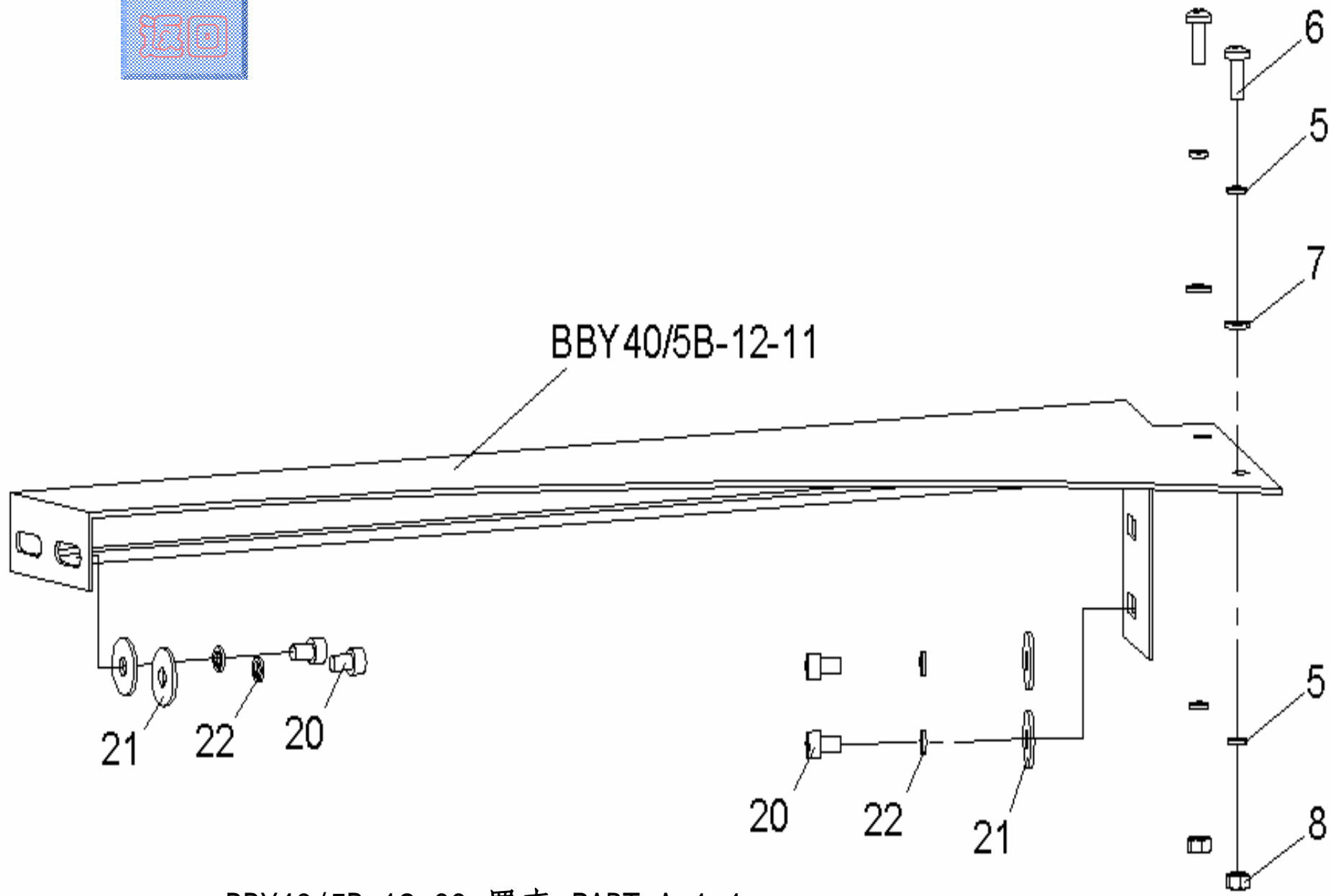
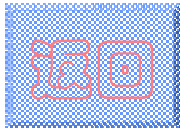


BBY40/5B-12-00 單壳 PART A

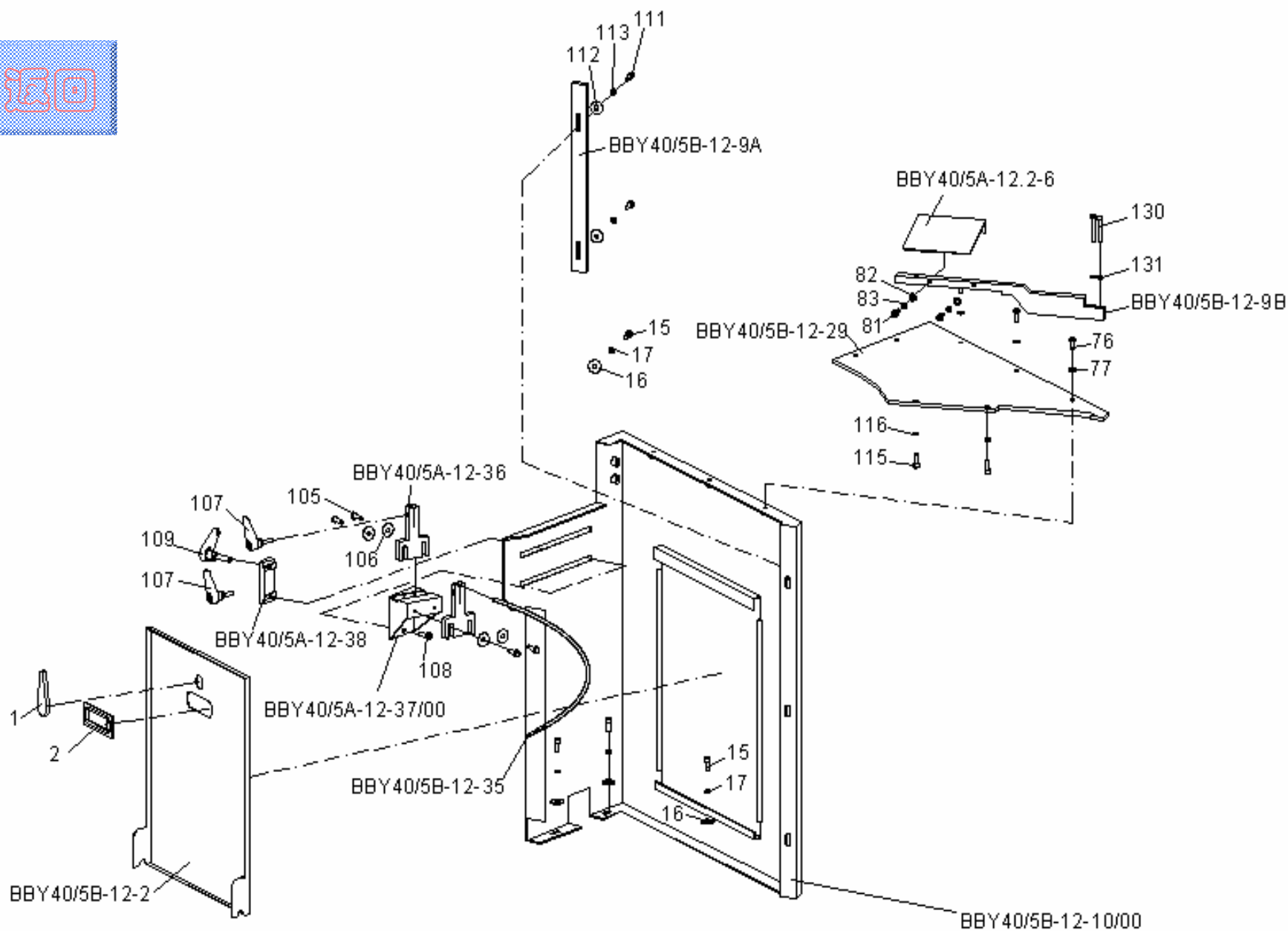
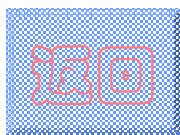




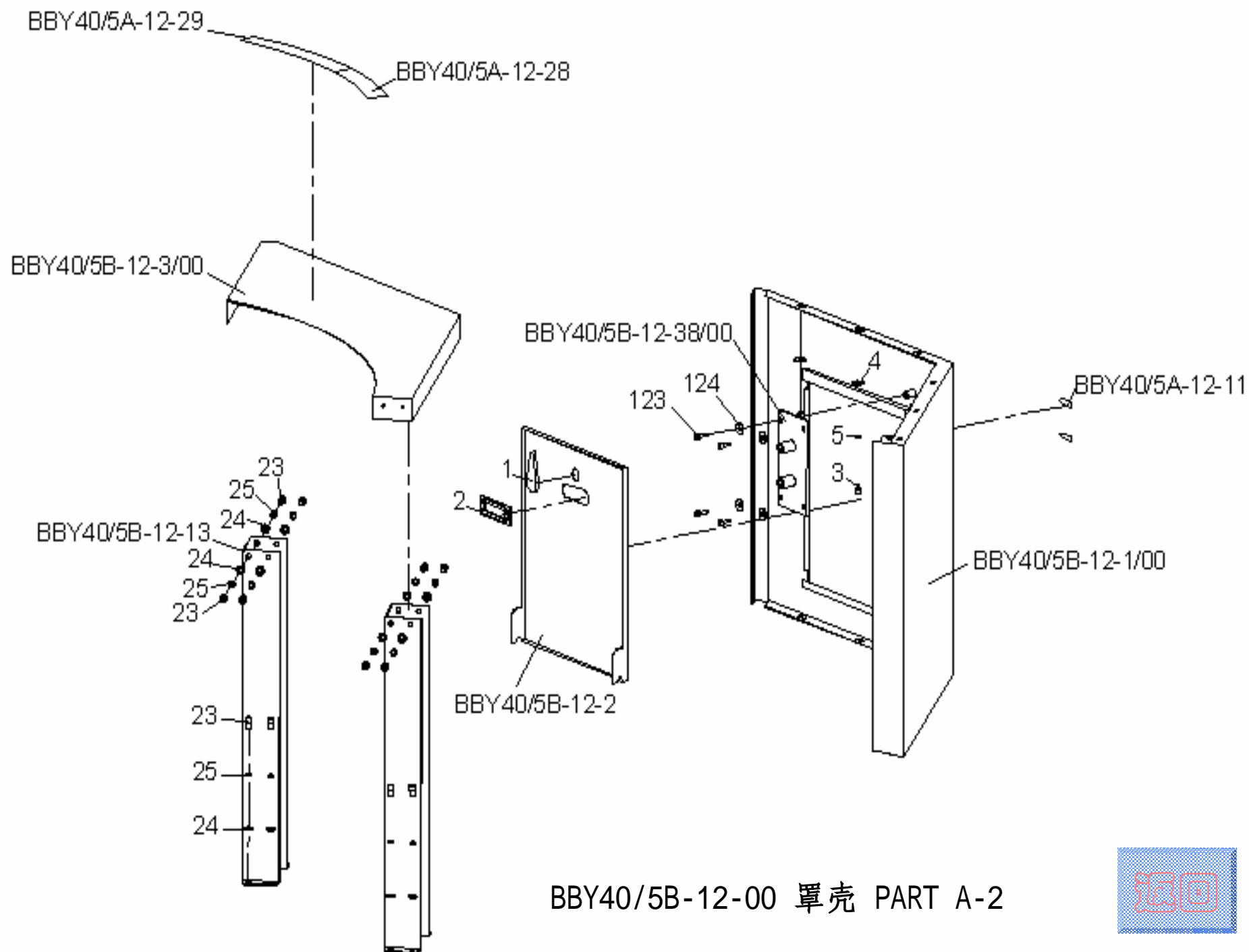
BBY40/5B-12-00 單壳 PART A-1



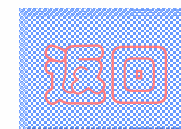
BBY40/5B-12-00 罩壳 PART A-1.1

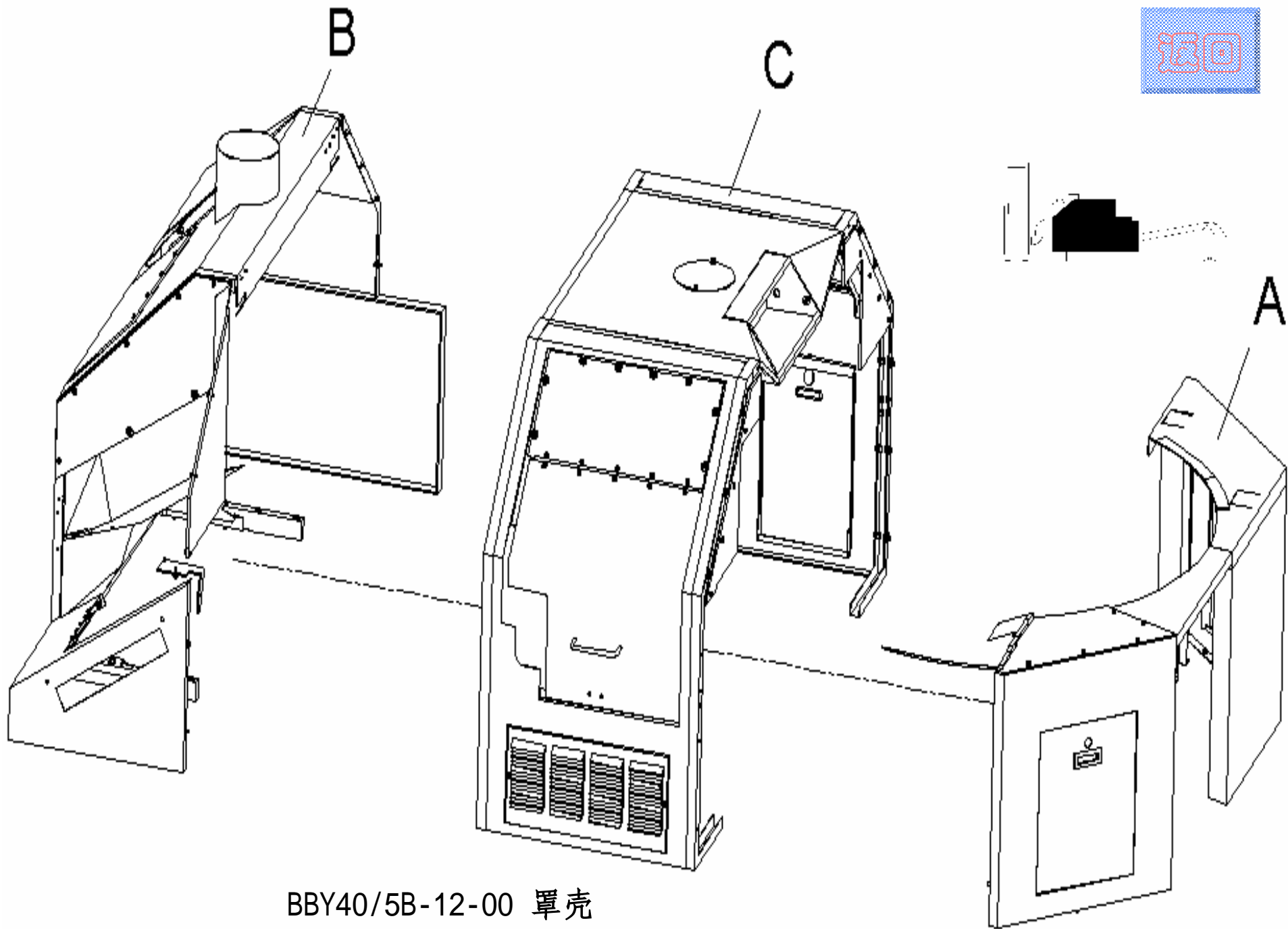
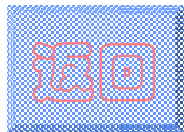


BBY40/5B-12-00 罩壳 PART A-1.2

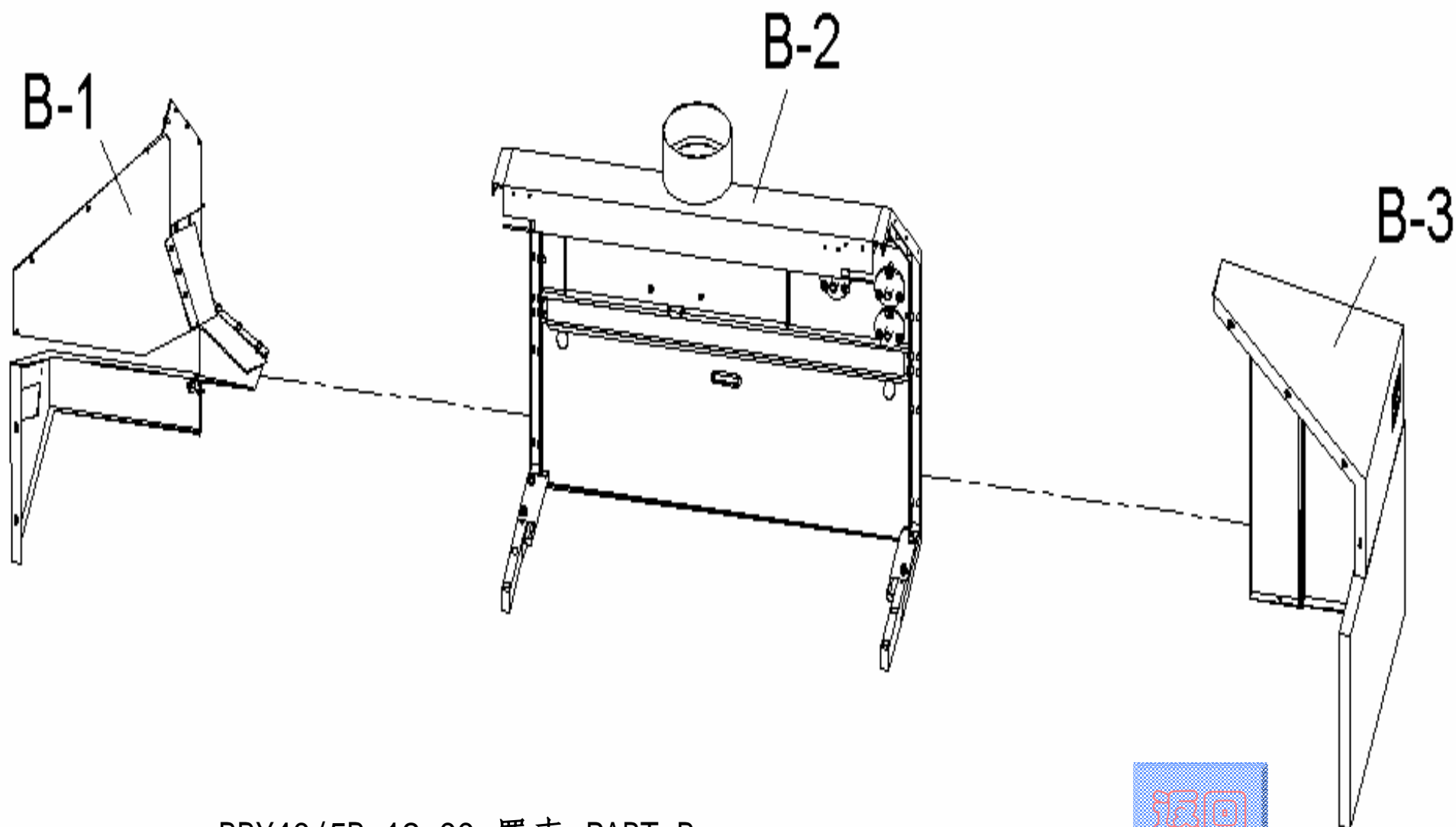


BBY40/5B-12-00 罩壳 PART A-2

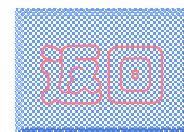


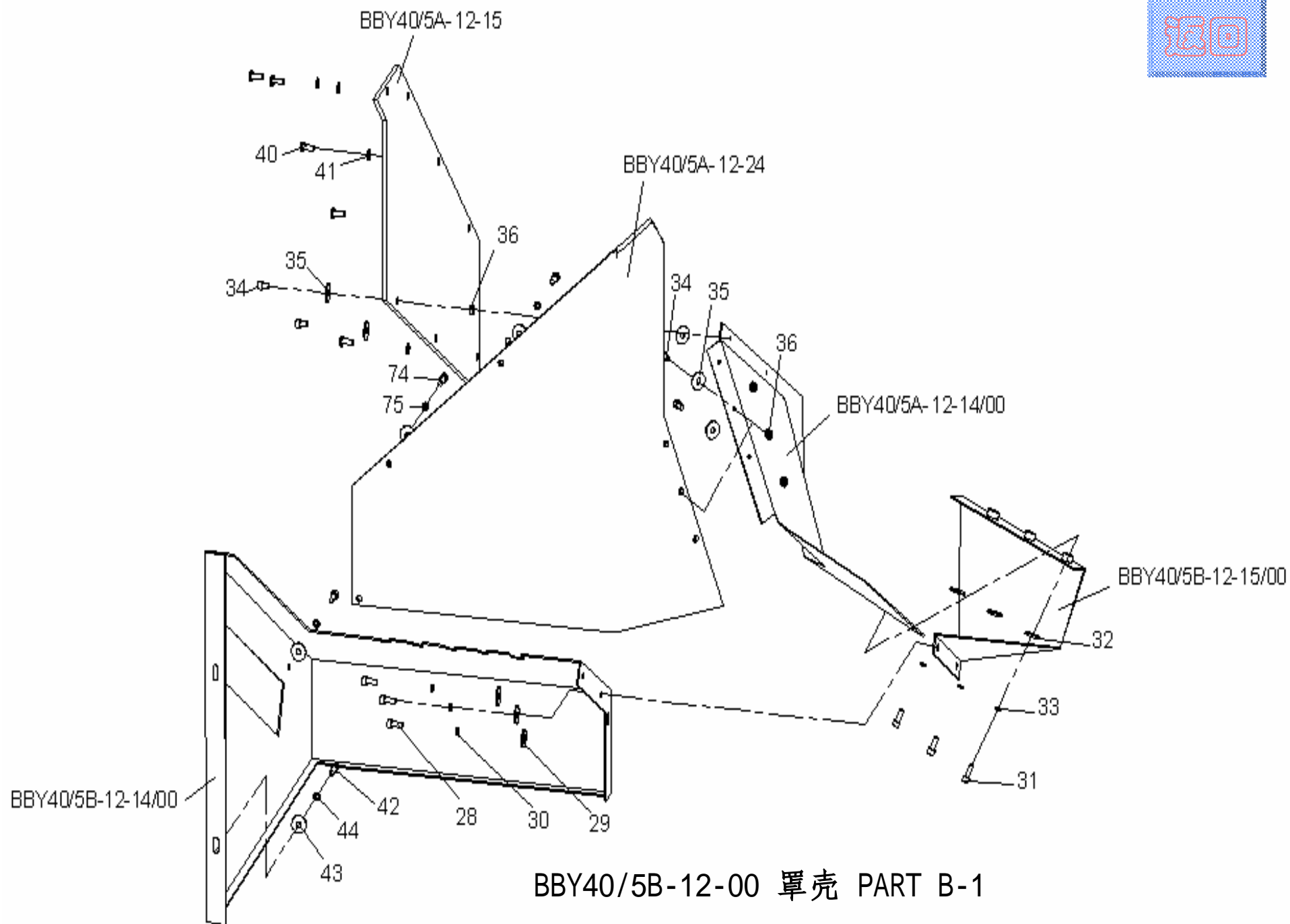
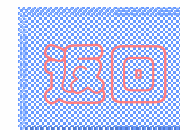


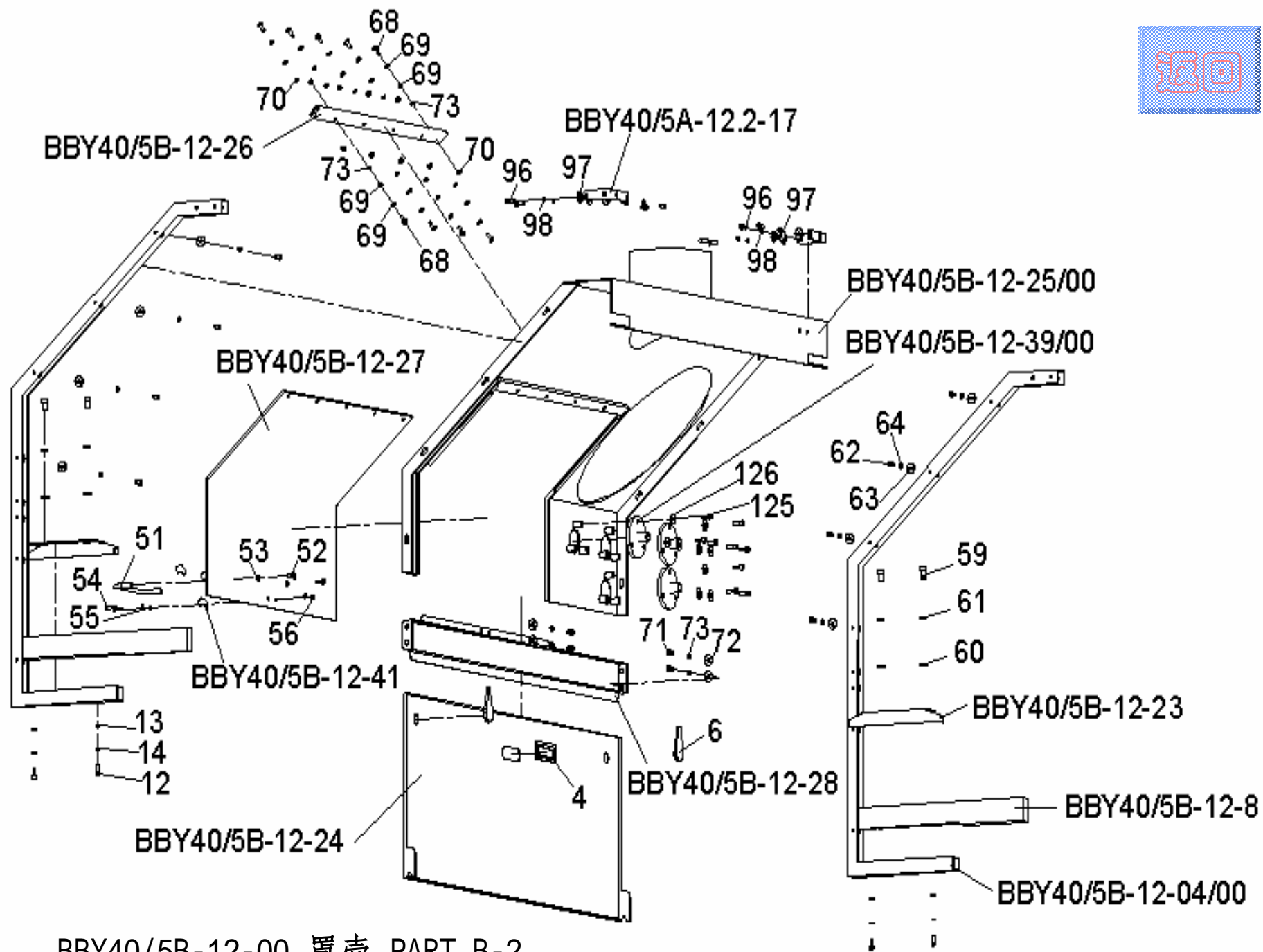
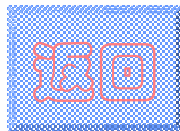
BBY40/5B-12-00 罩壳



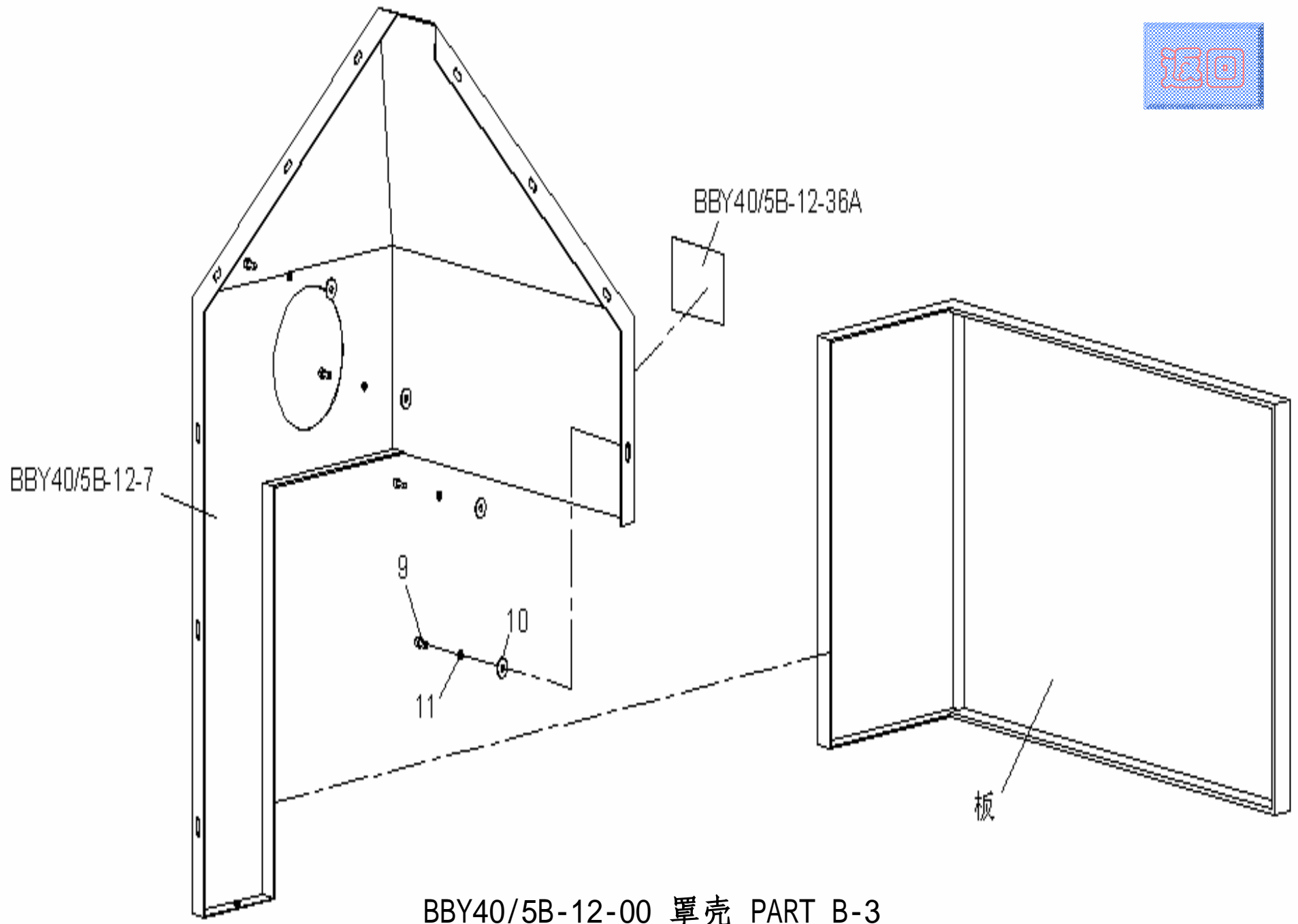
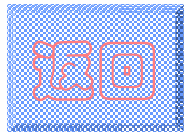
BBY40/5B-12-00 罩壳 PART B



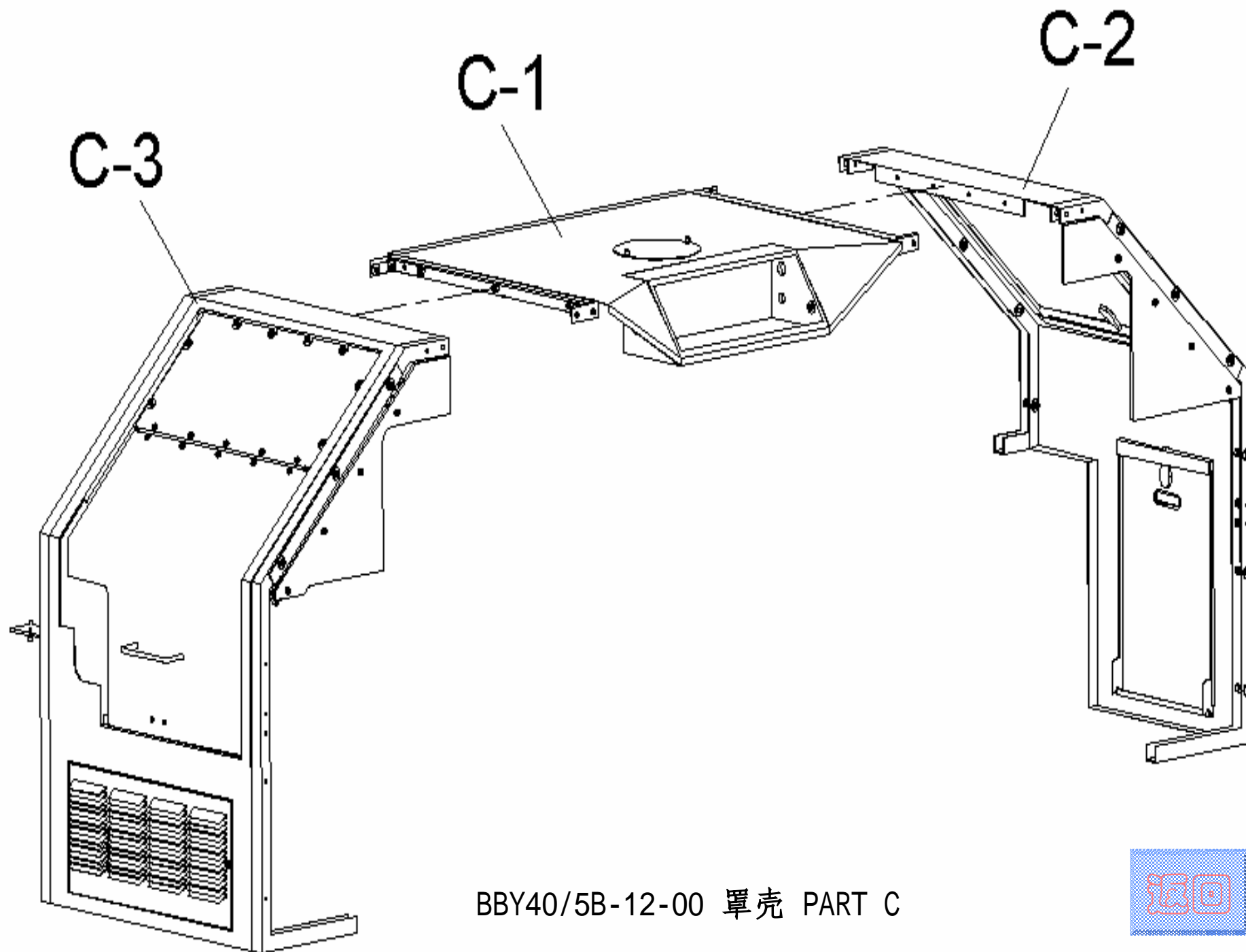




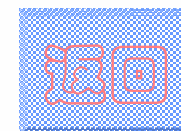
BBY40/5B-12-00 罩壳 PART B-2

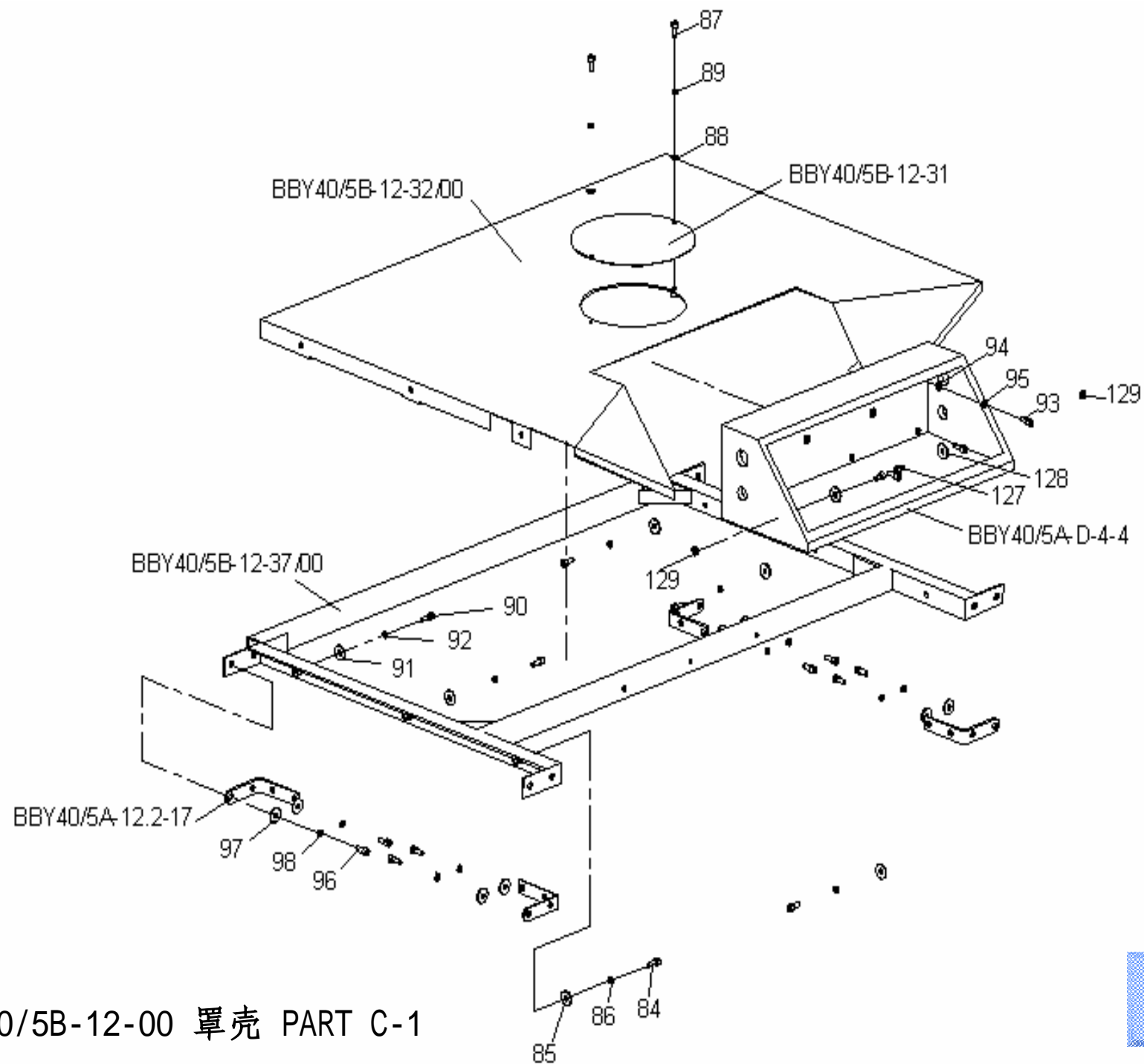


BBY40/5B-12-00 罩壳 PART B-3

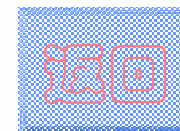


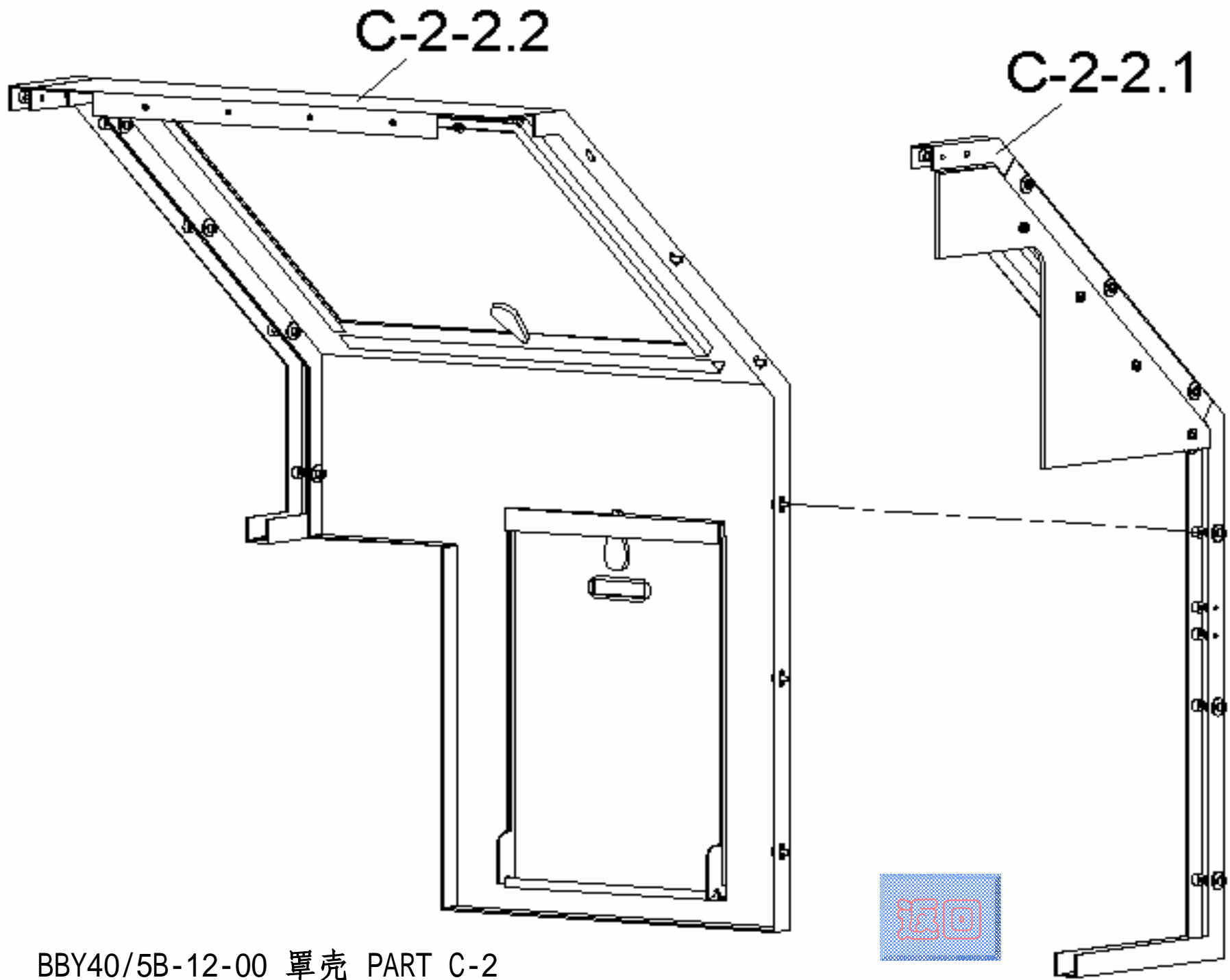
BBY40/5B-12-00 單壳 PART C



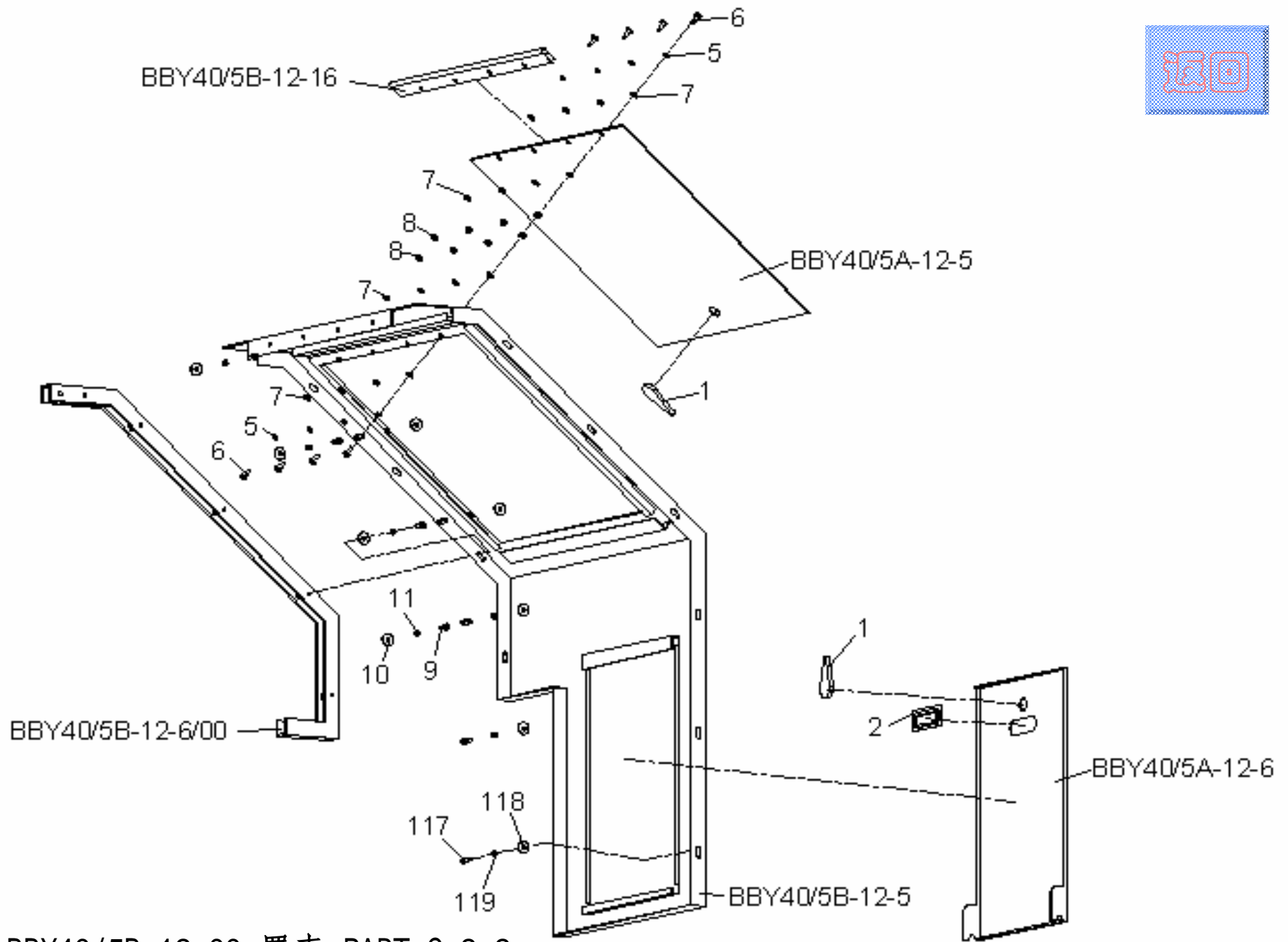
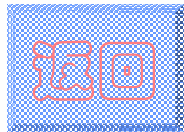


BBY40/5B-12-00 單壳 PART C-1

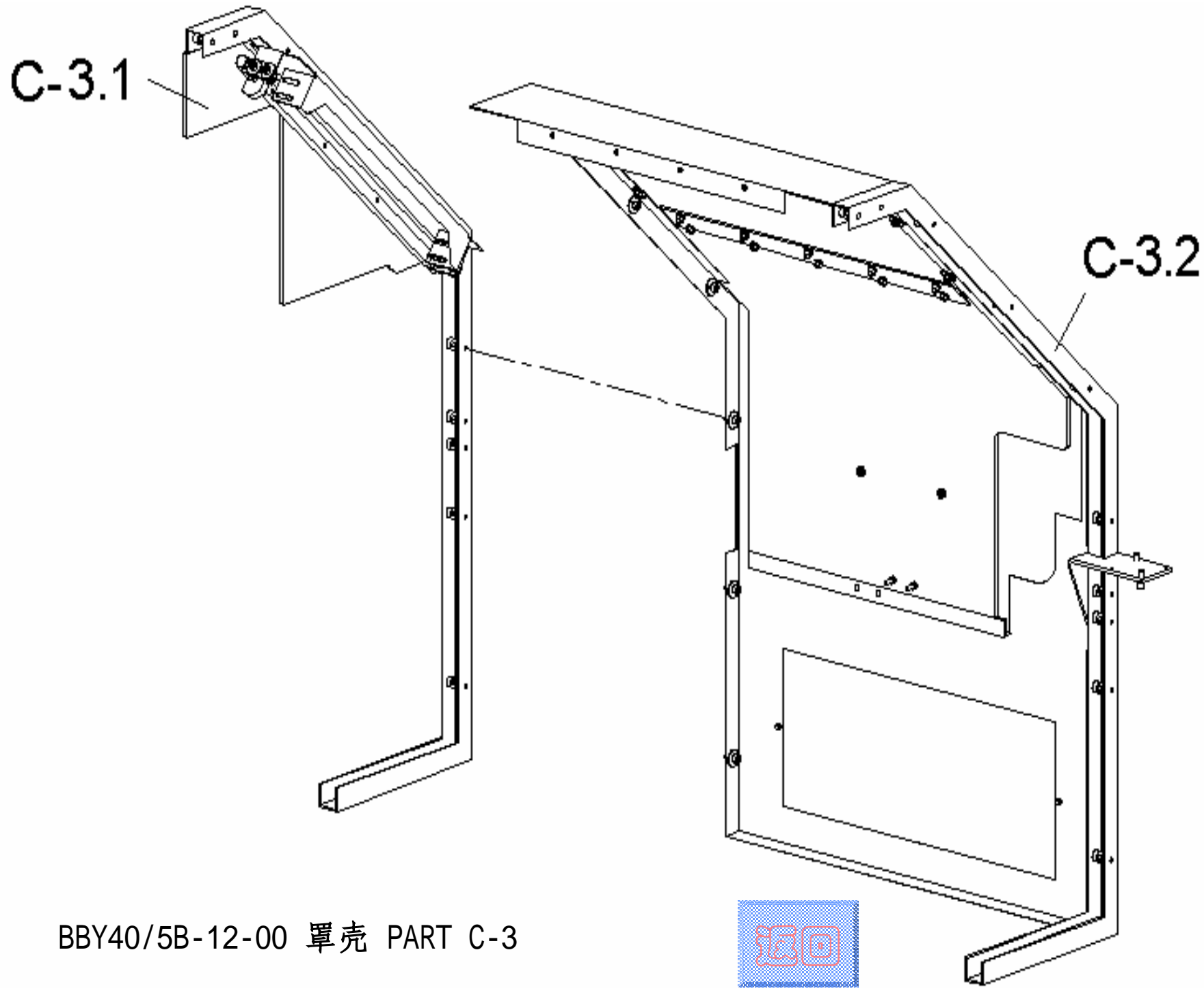




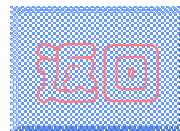
BBY40/5B-12-00 單壳 PART C-2

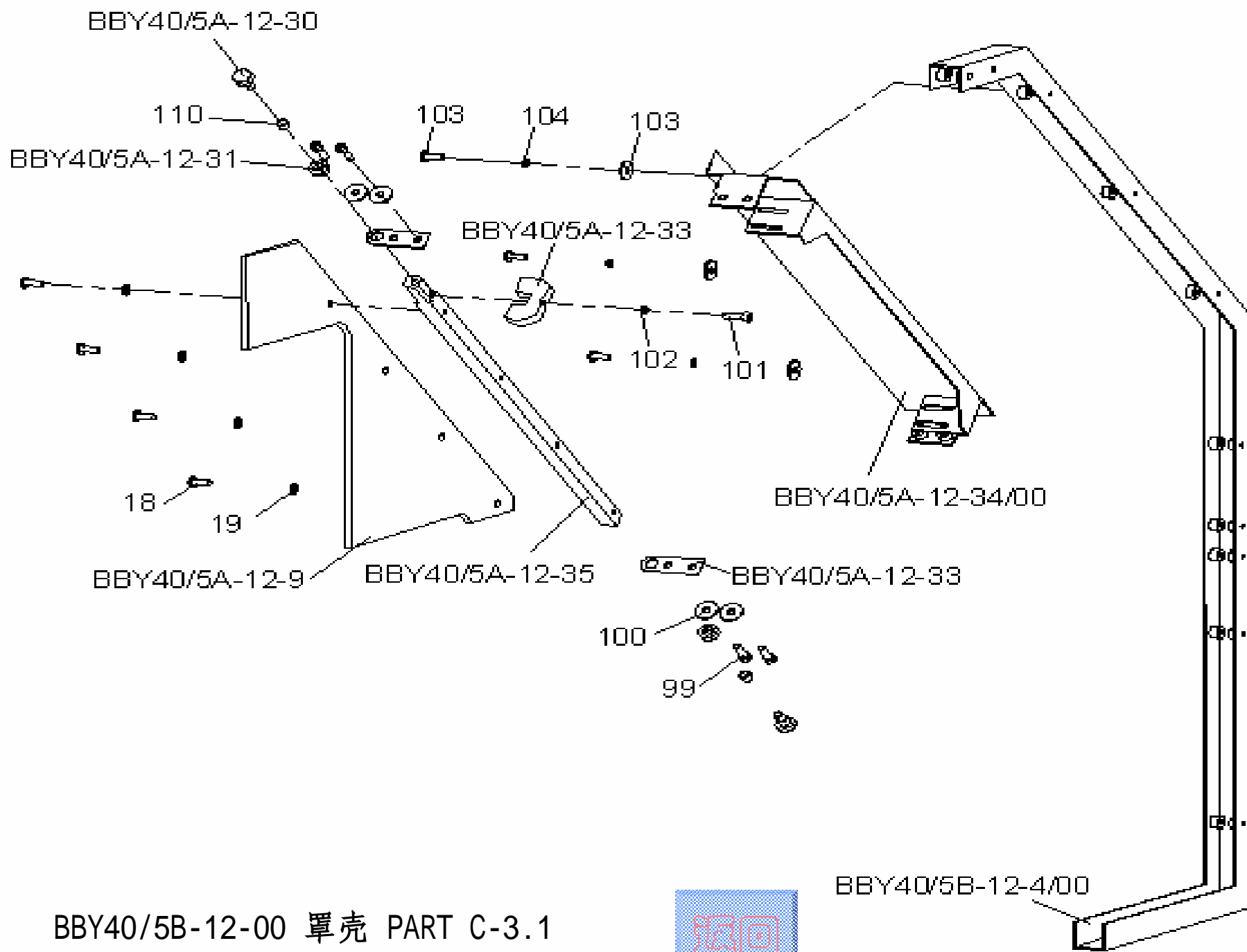


BBY40/5B-12-00 單壳 PART C-2.2

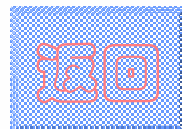


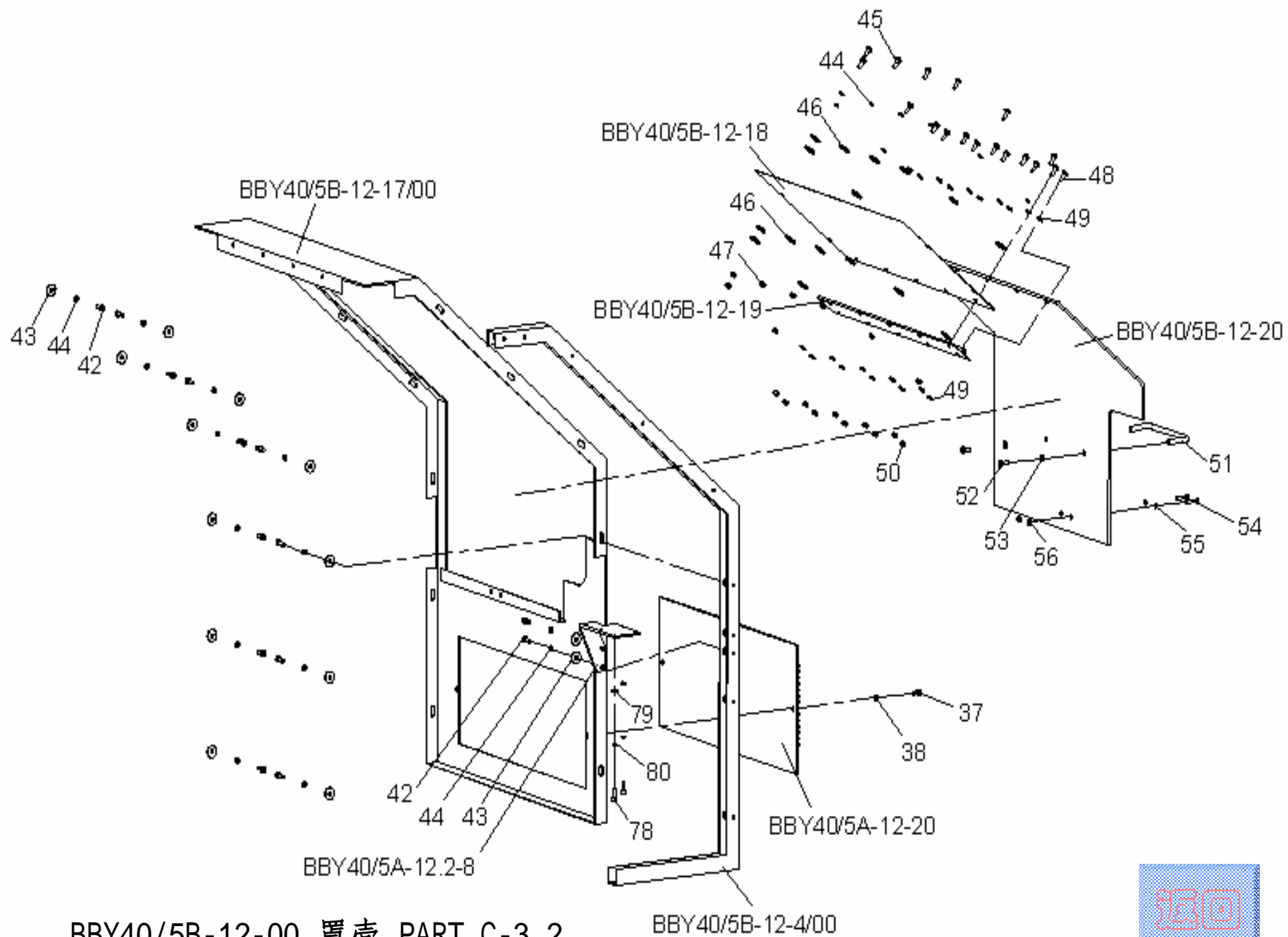
BBY40/5B-12-00 單壳 PART C-3



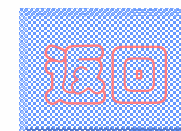


BBY40/5B-12-00 單壳 PART C-3.1





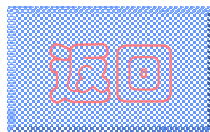
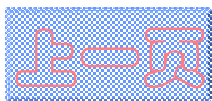
BBY40/5B-12-00 罩壳 PART C-3.2



BBY40/5B-1-00

Part No	Part Name
BBY40/5B-1/00	Frame base
BBY40/5B-2/00	Proximity switch mounting support
BBY40/5B-3	Plate
BBY40/5B-4	Cam/gear
BBY40/5B-5	Nipping station trolley
BBY40/5B-6	Small shaft
BBY40/5B-7	Cover plate
BBY40/5A-1-1	Clamp
BBY40/5A-1-2	Shaft
BBY40/5A-1-3	Inner stop rod
BBY40/5A-1-4	Support
BBY40/5A-1-11	Locating shaft sleeve
BBY40/5A-1-12	Flat key
BBY40/5A-1-14	Washer
BBY40/5A-1-18	Shaft sleeve
BBY40/5A-1-19	Shaft sleeve
BBY40/5A-1-21	Collar
BBY40/5A-1-24	Flange base
BBY40/5A-1-25	Spacer ring
BBY40/5A-1-26	Small shaft
BBY40/5A-1-30	Pointer

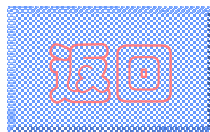
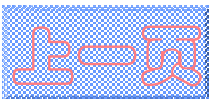
Part No	Part Name
BBY40/5B-1-31	Indicator
BBY40/5A-1-54	Spacer ring
BBY40/5A-1-55	Conical roller
BBY40/5A-1-56	Roller support
BBY40/5A-1-58	Shaft sleeve
BBY40/5A-2-7	Angle bar
BBY40/5-1.2-30	exprot case
BBY40/5-10-56	Drive shaft
BBY40/5B-1.1-00	Main drive shaft and barrel body
BBY40/5A-1-16	Flat key
BBY40/5A-1-37	Plate
BBY40/5A-1-40	Collar
BBY40/5A-1-45	Spacer ring
BBY40/5A-1-46	Flat key
BBY40/5A-1-47	Shaft sleeve
BBY40/5A-1-49	Adjusting spacer
BBY40/5A-1-51	Spacer ring
BBY40/5-1.2-14	Tension sprocket



BBY40/5B-1-00

No	Part No	Part Name	
1	GB70	Screw	M12 x 60
2	GB859	Washer	12
3	GB70	Screw	M8 x 40
4	GB859	Washer	8
5	GB70	Screw	M8 x 20
6	GB95	Washer	8
7	GB818	Bolt	M4 x 30
8	GB41	Nut	M4
9	GB95	Washer	4
10	GB70	Screw	M12 x 40
11	GB93	Washer	12
12	GB77	Screw	M10 x 20
13	GB70	Screw	M10 x 40
14	GB95	Washer	10
15	GB93	Washer	10
16	GB70	Screw	M10 x 40
17	GB93	Washer	10
18	GB70	Screw	M8 x 25
19	GB93	Washer	8
20	GB77	Screw	M8 x 25
21	GB70	Screw	M8 x 25

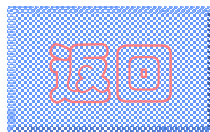
No	Part No	Part Name	
22	GB848	Washer	8
23	GB41	Nut	M4
24	GB859	Washer	6
25	GB70	Screw	M6 x 12
26	GB859	Washer	10
27	GB70	Screw	M10 x 30
28	GB70	Screw	M8 x 16
29	Z52-2	Adjusting fixing handle	B-M6 x 50 x 16
30	GB77	Screw	M8 x 10
31	GB70	Screw	M10 x 50
32	GB93	Washer	10
33	GB95	Washer	10
34	GB70	Screw	M8 x 25
35	GB93	Washer	8
36	GB77	Screw	M8 x 25
37	GB70	Screw	M10 x 50
38	GB93	Washer	10
39	GB95	Washer	10
40	GB818	Screw	M6 x 10
41	GB70	Screw	M10 x 16
42	GB97	Washer	10



BBY40/5B-1-00

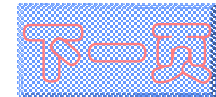
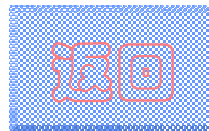
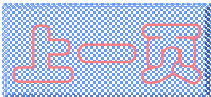
No	Part No	Part Name
43	GB70	Screw M12 x 35
44	GB859	Washer 12
45	GB97	Washer 12
46		Single side nylon clip 16G96-1
47	GB70	Screw M5 x 20
48		Adjusting nylon clip 38G96-1
49	GB70	Screw M5 x 20
50	GB70	Screw M12 x 60
51	GB859	Washer 12
52	GB96	Washer 12
53	GB70	Screw M6 x 20
54	GB95	Washer 6
55	GB70	Screw M12 x 45
56	GB859	Washer 12
57	GB825	Screw M24
58	GB70	Screw M6 x 16
59	GB859	Washer 6
60	GB812	Round nut M8 x 2
61	GB858	Washer 80
62	GB70	Screw M8 x 25
63	GB859	Washer 8

No	Part No	Part Name
64	GB281	Bearing 1504
65	GB278	Bearing 60110
66	GB893	Collar 80
67	GB70	Screw M12 x 35
68	GB97.1	Washer 12
69	GB859	Screw M8 x 20
71	GB78	Screw M5 x 20
72	GB5782	Screw M10 x 20
73	GB93	Washer 10
74	GB95	Washer 10
75	GB70	Screw M20 x 50
76	GB859	Washer 20
77	GB893	Collar 47
78	GB278	Bearing 80204
79	GB70	Screw M10 x 30
80	GB859	Washer 10
81	GB1243	Chain 08B
82	GB77	Screw M8 x 15
83	GB6172	Nut M24
84	GB278	Bearing 80105
85	GB70	Screw M12 x 40



BBY40/5B-1-00

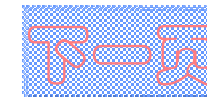
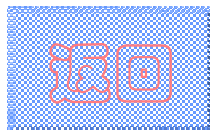
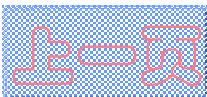
No	Part No	Part Name	
86	GB859	Washer	12
87	GB70	Screw	M12 x 20
88	GB70	Screw	M12 x 40
89	GB93	Washer	12
90	GB95	Washer	12
91	GB1243.1	Chain	p=9.525
92	GB1243.1	Chain	p=9.525



BBY40/5B-1.1-00

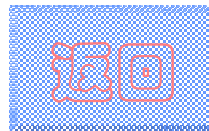
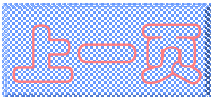
No	Part No	Part Name	
1	GB70	Screw	M10 x 40
2	GB70	Screw	M6 x 15
4	GB292	Bearing	66220
5	GB858	Washing	100
6	GB812	Round nut	M100 x 2
7	GB70	Screw	M6 x 20
8		Tension sleeve	P1085 x 125
9	GB1096	Key	8 x 50
10	GB77	Screw	M8 x 10
11	GB859	Washer	10
12	GB95	Washer	10
13	GB70	Screw	M8 x 30
14		Motor	d=35 i=1:43.917 1.5kw
15	GB1096	Key	10 x 50
20	GB5781	Screw	M12 x 30
21	GB93	Washer	12
22	GB95	Washer	12
28	GB77	Screw	M8 x 15
29	GB893.1	Collar	47
30	GB894.1	Collar	25
31	GB278	Bearing	80105

No	Part No	Part Name	
32	GB70	Screw	M8 x 25
33	GB93	Washer	8
34	GB77	Screw	M8 x 15
36	GB70	Screw	M8 x 45
37	GB93	Washer	8
38	GB5781	Screw	M10 x 50
39	GB95	Washer	10
40	GB1096	Key	8 x 25
41	GB117	Pin	8 x 45
42	GB894.1	Collar	25
43	GB278	Bearing	80206
45	GB73	Screw	M6 x 15
46	GB308	Steel ball	12
47	GB70	Screw	M8 x 25
48	GB93	Washer	10
49	GB70	Screw	M12 x 35
50	GB97	Washer	12
51	GB859	Washer	12
53	GB70	Screw	M5 x 8
54	GB859	Washer	5



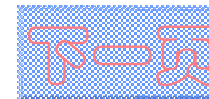
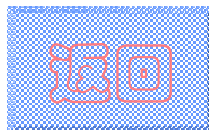
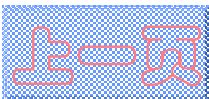
BBY40/5B-1.1-00

No	Part No	Part Name	
55	GB819	Screw	M3 x 8
56		Timing	T5 x 455
57	GB77	Screw belt	M5 x 16
59	GB70	Screw	M6 x 20
60	GB812	Round nut	M68 x 2
61	GB858	Washer	68
62	GB276	Bearing	114
63	GB893.1	Collar	110
64	GB276	Bearing	114
65	GB117	Pin	8 x 40
66	GB1096	Key	8 x 20
67	GB77	screw	M8 x 15
68	GB810	Small round nut	M30 x 1.5
69	GB858	washer	30



BBY40/5B-2-00

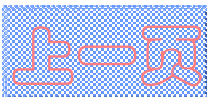
Part No	Part Name
BBY40/5B-2-1	Clamp disc table
BBY40/5B-2-2	Segament
BBY40/5B-2-3	Clamps
BBY40/5B-2-4	Clamp shaft
BBY40/5B-2-5	Collar
BBY40/5B-2-6	Spring
BBY40/5B-2-7	Shim plate
BBY40/5B-2-8	Screw
BBY40/5B-2-9	Clamp guide(1)
BBY40/5B-2-10	Clamp guide(2)
BBY40/5B-2-11	Clamp guide(3)
BBY40/5A-2-7	Stop rod
BBY40/5A-2-9	Washer
BBY40/5A-2-10	Bearing support
BBY40/5A-2-11	Adjusting washer
BBY40/5A-7-26	Scale ruler



BBY40/5B-2-00

No	Part No	Part Name	
1	GB819	Screw	M8 x 20
2	GB6170	Nut	M5
3	GB6170	Nut	M10
4	GB70	Screw	M10 x 30
5	GB117	Pin	6 x 30
6	GB834	Screw	M6 x 8
7	Z52-2	Adjustable fixing handle	
			B-M10 x 80 x 25
8	GB1096	Key	12 x 8 x 80
9	SF-1	Bushing	6040
10	SF-1	Bushing	4030
11	GB894.1	Elastic damping ring	40
12		Bearing	62304-2RS1
13	GB96	Washer	20
14	GB859	Washer	20
15	GB70	Screw	M20 x 50
16	GB867	Rivet	2 x 8
17	GB70	Screw	M6 x 20
18	GB859	Washer	6
19	GB70	Screw	M8 x 16
20	GB859	Washer	8

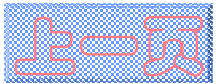
No	Part No	Part Name	
21	GB70	Screw	M8 x 25
22	GB859	Washer	8
23	GB278	Bearing	80018
24	GB818	Screw	M5 x 8
25	GB819	Screw	M5 x 8



BBY40/5B-3-00

Part No	Part Name
BBY40/5B-3-1	Plate
BBY40/5B-3-2	Connecting lever
BBY40/5B-3-3	Strut seat
BBY40/5B-3-4	Small shaft
BBY40/5B-3-5	Small shaft
BBY40/5B-3-7	Small shaft
BBY40/5B-3-9	Flange
BBY40/5B-3-11	Seat
BBY40/5B-3-12	Screw
BBY40/5-3-10	Round housing
BBY40/5-3-11	Vibrating block
BBY40/5-3-13/00	Vribration-proof cushion
BBY40/5-5-12	Pin
BBY40/5-5-13	Cross block
BBY40/5-5-14	Shaft pin
BBY40/5-5-15	Bushing
BBY40/5-5-16	Universal joint single fork
BBY40/5A-3-5	Shaft
BBY40/5A-3-7	Eccentric sleeve
BBY40/5A-3-11	Scale base
BBY40/5A-3-12	Dial disc

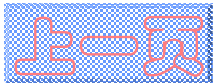
Part No	Part Name
BBY40/5A-3-13	Adjusting ring



BBY40/5B-3-00

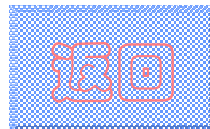
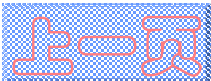
No	Part No	Part Name	
1	GB70	Screw	M4 x 16
2	GB818	Screw	M3 x 6
3	GB93	Washer	3
4	GB5783	Screw	M5 x 16
5	GB93	Washer	5
6	GB70	Screw	M5 x 10
7	GB93	Washer	5
8	GB70	Screw	M6 x 20
9	GB93	Washer	6
10	GB70	Screw	M8 x 25
11	GB93	Washer	8
12	GB78	Screw	M5 x 10
13	GB879	Pin	4 x 25
14	GB73	Screw	M6 x 8
15	GB78	Screw	M5 x 12
16	GB827	Rivet	2 x 8
17	GB4141.29	Star handle	10 x 40
18	GB879	Pin	3 x 20
19	GB1152	Oil cup	M6
20	GB70	Screw	M12 x 35
21	GB93	Washer	12

No	Part No	Part Name	
22	GB77	Screw	M10 x 14
23	GB79	Screw	M10 x 20
25	GB6170	Nut	M6
26	GB78	Screw	M5 x 10
27	GB879	Pin	4 x 35
28	GB70	Screw	M5 x 12
33	GB892	Collar	B20
	JW4522	Motor	



BBY40/5B-4-00

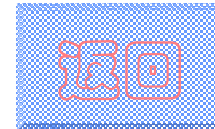
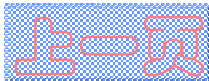
Milling ang roughening unit	
Part No	Part Name
BBY40/5B-4-1/00	Protection plate
BBY40/5B-4-2	Top cover
BBY40/5B-4-3	Screw
BBY40/5B-4-4	Arbor flange
BBY40/5A-4-1	Motor base
BBY40/5A-4-2/00	T-shape nut
BBY40/5A-4-5/00	Milling cutter
BBY40/5A-4-6	Thin shim
BBY40/5A-4-7	Milling header
BBY40/5A-4-8	End cover
BBY40/5A-4-9	Protection plate
BBY40/5A-4-11	Brush plate
BBY40/5A-4-13/00	Paper waste exhaust bent pipe
BBY40/5-4-3/00	Notching cutter



BBY40/5B-4-00

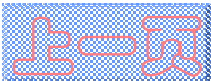
No	Part No	Part Name
1	GB6172	Nut M8
3	GB6172	Nut M10
4	GB93	Washer 10
5	GB97.1	Washer 10
6	GB70	Screw M10 x 25
7	GB70	Screw M8 x 20
8	GB93	Washer 8
9	GB894.1	Collar 50
10	GB278	Bearing 60110
11	GB810	Nut M24 x 1.5
12	GB858	Washer 24
13	GB1096	Key 8 x 30
14	Y100L-2	Motor 3kW 380V
16	GB819	Screw M5 x 16
17	GB6172	Nut M5
18	GB70	Screw M5 x 10
19	GB97.1	Washer 5
20	GB70	Screw M8 x 25
21	GB819	Screw M5 x 8
22	GB70	Screw M5 x 16
23	GB93	Washer 5

No	Part No	Part Name
24	GB97.1	Washer 8
25		Plastic hose(inner hole) ϕ 150 x 2000
26		Hose clamp 6



BBY40/5B-5-00

Part No	Part Name
BBY40/5B-5-1	Support plate
BBY40/5B-5-2	Small shaft
BBY40/5B-5-3	Eccentric sleeve
BBY40/5B-5-4	Shaft
BBY40/5-5-12	Pin
BBY40/5-5-13	Cross block
BBY40/5-5-14	Shaft pin
BBY40/5-5-15	Bushing
BBY40/5-5-16	Universal joint single fork
BBY40/5A-3-11	Scale base
BBY40/5A-3-12	Dial disc
BBY40/5A-3-13	Adjusting ring
BBY40/5A-5-6	Mounting plate
BBY40/5B-3-2	Connecting lever
BBY40/5B-3-5	Small shaft
BBY40/5B-3-7	Small shaft
BBY40/5B-3-9	Flange
BBY40/5B-3-12	Screw
BBY40/5B-3-13	



BBY40/5B-5-00

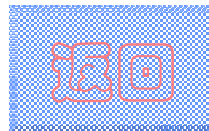
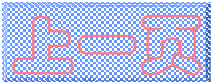
No	Part No	Part Name	
1	GB70	Screw	M8 x 25
2	GB93	Washer	8
3	GB70	Screw	M5 x 12
4	GB848	Washer	5
5	GB879	Pin	4 x 25
6	GB73	Screw	M6 x 8
7	GB78	Screw	M5 x 12
8	GB827	Rivet	2 x 8
9	GB4141.29	Star handle	10 x 40
10	GB879	Pin	3 x 20
11	GB78	Screw	M5 x 10
12	GB879	Pin	4 x 35
13	GB77	Screw	M10 x 14
14	GB79	Screw	M10 x 20
16	GB6170	Nut	M6
17	GB70	Screw	M5 x 12
18	GB892	Collar	B20



BBY40/5B-6-00

Part No	Part Name
BBY40/5B-6-1	Support seat
BBY40/5B-6-2	Shaft
BBY40/5B-6-4	Shaft
BBY40/5B-6-5	Scraper holder
BBY40/5B-6-6	Tension lever
BBY40/5B-6-7	Long shaft
BBY40/5B-6-8	Plate
BBY40/5B-6-9	Cam
BBY40/5B-6-10	Cam
BBY40/5B-6-10A	Cam
BBY40/5B-6-10B	Cam
BBY40/5B-6-11	Base
BBY40/5B-6-12	Sprocket
BBY40/5B-6-13/00	Tension pulley seating
BBY40/5B-6-14	Plate
BBY40/5B-6-15	Heater
BBY40/5B-6-16	Shaft
BBY40/5B-6-17	Adjusting ring
BBY40/5B-6-18	Screw
BBY40/5B-6-20	Electric appliance housing
BBY40/5B-6-21/00	Glue roller house
BBY40/5B-6-22	stop block

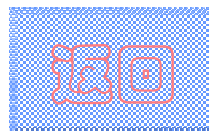
Part No	Part Name
BBY40/5-6-2	Collar
BBY40/5-6-3	Flange
BBY40/5-6-4	Rack
BBY40/5-6-5	Spur gear
BBY40/5-6-6	Supporting bracket
BBY40/5-6-7	Long shaft
BBY40/5-6-8	Glue roller support
BBY40/5-6-9	Collar
BBY40/5-6-10	Spur gear
BBY40/5-6-11	U-shape plate
BBY40/5-6-12/00	Adjusting screw
BBY40/5-6-13	Screw hole plate
BBY40/5-6-16	Collar
BBY40/5-6-18	Glue pot
BBY40/5-6-20	Bottom plate
BBY40/5-6-21	Collar
BBY40/5-6-22	Spur gear
BBY40/5-6-23	Collar
BBY40/5-6-24	Spacer ring
BBY40/5-6-25	Spur gear
BBY40/5-6-26	Sprocket
BBY40/5-6-27	Shafe seat



BBY40/5B-6-00

Part No	Part Name
BBY40/5-6-28/00	Scraper holder
BBY40/5-6-29	Supporting plate
BBY40/5-6-31	Screw
BBY40/5-6-32	Ring
BBY40/5-6-34	Spur gear
BBY40/5-6-35	Scraper shaft
BBY40/5-6-36	Brass pipe
BBY40/5-6-37	Housing
BBY40/5-6-38	Long collar
BBY40/5-6-39/00	Glue scraper
BBY40/5-6-43/00	Locating shaft
BBY40/5-6-44	Flat iron
BBY40/5-6-45	Aluminium base plate
BBY40/5-6-46	Stopper
BBY40/5-6-47	Washer
BBY40/5-6.1-00	Large gluing roller
BBY40/5-6.2-00	Small gluing roller
BBY45/8-6.1-3	Nut
BBY45/8-6.1-7	Locating sleeve
BBY45/8-6.1-8	Shaft
BBY45/8-6.1-9	Sprocket

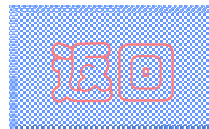
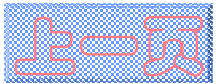
Part No	Part Name
BBY45/8-6.1-14	Small shaft
BBY45/8-6.1-15	Sprocket
BBY45/8-6.1-17	Coupling
BBY45/8-6.1-18	Shaft
BBY45/8-6.1-19	Spring
BBY45/8-6.1-21	Pin shaft
BBY45/8-6.1-22	Rocker-arm
BBY40/5A-7-32	Guard sign



BBY40/5B-6-00

No	Part No	Part Name	
1	GB278	Bearing	80104
2	GB893.1	Collar	42
3	GB70	Screw	M8 x 15
4	GB892	Collar	B25
5	GB70	Screw	M5 x 10
6	GB1096	Key	C5 x 25
7	GB819	Screw	M6 x 20
8	GB77	Screw	M10 x 25
9	GB97.1	Washer	8
10	GB70	Screw	M8 x 35
11	GB892	Collar	B32
12	GB70	Screw	M6 x 12
13	GB1096	Key	A6 x 20
14	GB70	Screw	M8 x 30
15	GB78	Screw	M6 x 10
16	GB97.1	Washer	12
17	GB70	Screw	M8 x 16
18	GB97.1	Washer	6
19	GB70	Screw	M6 x 10
20	GB70	Screw	M10 x 20
21		Rod end bearing	PHS10L

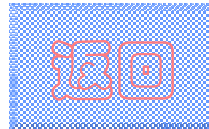
No	Part No	Part Name	
22	GB97.1	Washer	10
23	GB70	Screw	M10 x 25
24	GB818	Screw	M5 x 6
25	GB70	Screw	M4 x 14
26	GB97.1	Washer	4
27	GB6170	Nut	M4
28	GB1096	Key	C5 x 20
29	GB4141.22	Hand wheel	16 x 160
30	GB6170	Nut	M10
31		Rod end bearing	PHS10
32	GB70	Screw	M6 x 12
33	GB97.1	Washer	6
34	GB77	Screw	M8 x 10
35	GB278	Bearing	80104
36	GB893.1	Collar	42
37	GB70	Screw	M6 x 20
38	GB93	Washer	6
39	GB77	Screw	M10 x 16
40	GB77	Screw	M10 x 20
41	GB77	Screw	M6 x 10
42	GB70	Screw	M8 x 16



BBY40/5B-6-00

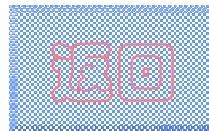
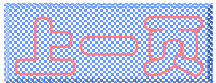
No	Part No	Part Name
43	GB1096	Key 6 x 56
44	Z52-2B	Adjustable fixing handle M8 x 63 x 25
45	GB1096	Key 8 x 40
46	GB77	Screw M8 x 10
47	GB1243.1	Chain 06B x 61
48	GB893.1	Collar 35
49	GB278	Bearing 80103
50	GB70	Screw M5 x 14
51	GB892	Collar B22
52	GB6170	Nut M10
53	GB93	Washer 10
54	GB278	Bearing 80101
55	GB894.1	Collar 12
56	GB6170	Nut M12
57	GB6170	Nut M16
58	GB93	Washer 16
59	GB1155	Oil cup 6
60	GB70	Screw M6 x 20
61	GB6170	Nut M6
62	GB70	Screw M10 x 30
63	GB6170	Nut M10

No	Part No	Part Name
64	GB70	Screw M10 x 40
65	GB97.1	Washer 10
66	GB6170	Nut M10
67	GB70	Screw M6 x 20
68	GB70	Screw M8 x 15
69	GB70	Screw M8 x 40
70	GB70	Screw M6 x 10
71	GB5783	Screw M8 x 55
72	GB6170	Nut M8
73	GB9877.2	Oil seal FW25 x 40 x 7
74	GB893.1	Collar 42
75	GB278	Bearing 80104
76	GB819	Screw M5 x 15
77	GB77	Screw M6 x 10
78	GB893.1	Collar 47
79	GB894.1	Collar 25
80	GB278	Bearing 80105
81	GB77	Screw M6 x 8
82	GB70	Screw M8 x 16
83	GB93	Washer 8
84	GB819	Screw M6 x 15



BBY40/5B-6-00

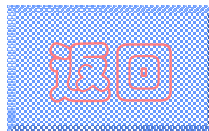
No	Part No	Part Name	
85	GB70	Screw	M6 x 15
86	GB818	Screw	M5 x 8
87	GB276	Bearing	101
88	GB893.1	Collar	28
89	GB70	Screw	M10 x 40
90	GB893.1	Collar	26
91	GB276	Bearing	100
92	GB819	Screw	M6 x 8
93	GB70	Screw	M4 x 10
94	GB93	Washer	4
95	GB70	Screw	M12 x 75
96		Heating hose	100W 400V ϕ 12 x 100
97	GB6170	Nut	M8
98	GB77	Screw	M10 x 20



BBY40/5B-7-00

Part No	Part Name
BBY40/5B-7-1	Flange
BBY40/5B-7-2	Bolt
BBY40/5B-7-3	Ring
BBY40/5B-7-4	Supporting shaft
BBY40/5B-7-5	Plate
BBY40/5B-7-6	Flexible connecting plate
BBY40/5B-7-7	Protection plate
BBY40/5B-7-10	Long shaft
BBY40/5B-7-11	Bearing plate
BBY40/5B-7-12	Stop block
BBY40/5A-7-5	Plate
BBY40/5A-7-6	Locating plate
BBY40/5A-7-7	Spacer ring
BBY40/5A-7-8	Bearing seat
BBY40/5A-7-9	Slide seat
BBY40/5A-7-11	Pin
BBY40/5A-7-12	Tension spring
BBY40/5A-7-14	Sleeve
BBY40/5A-7-15	Base plate
BBY40/5A-7-16	Heating plate
BBY40/5A-7-17	Supporting seat

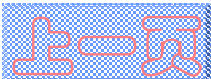
Part No	Part Name
BBY40/5A-7-18B	Torsional spring
BBY40/5A-7-19	Sleeve
BBY40/5A-7-20	Side glue pot
BBY40/5A-7-21	Supporting seat
BBY40/5A-7-22	Washer
BBY40/5A-7-23	Spacer ring
BBY40/5A-7-24	Roller
BBY40/5A-7-25	Pin
BBY40/5A-7-26	Scale ruler
BBY40/5A-7-27	Plate
BBY40/5A-7-28	Plate
BBY40/5A-7-29	Heat insulation plate
BBY40/5A-7-30	Base plate
BBY40/5A-7-31	Housing
BBY40/5A-7-32	Guard dign
BBY40/5A-7-35	Spacer ring
BBY40/5A-7-36	Stripper
BBY40/5A-7-37	Pedestal
BBY40/5A-7-38	Heat insulation plate
BBY40/5A-7-39	Plate
BBY40/5A-7-40	Roller



BBY40/5B-7-00

Part No	Part Name
BBY40/5A-7-41	Heat insulation plate
BBY40/5A-7-42	Plate
BBY40/5A-7-43	Stripper
BBY40/5A-7-44	Helical gear
BBY40/5A-7-45	Plate
BBY40/5A-7-46	Temperature meter seat
BBY40/5A-7-47	Heat insulation plate
BBY40/5A-7-48/00	Side glue hopper
BBY40/5A-7-50	Glue roller
BBY40/5A-7-51	Nut
BBY40/5A-7-52	Glue scraper
BBY40/5A-7-53	Shaft sleeve
BBY40/5A-7-54	Locating plate
BBY40/5A-7-55	Spacer ring
BBY40/5A-7-56	Shaft
BBY40/5A-7-57/00	Rubber roller
BBY40/5A-7-58	Pin
BBY40/5A-7-59	Pin
BBY40/5A-7-60	Adjusting handwheel
BBY40/5A-7-63	Ring
BBY40/5A-7-64	Sleeve

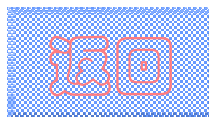
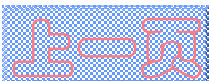
Part No	Part Name
BBY40/5A-6-42	Washer
BBY40/5-8.1-8	Washer



BBY40/5B-7-00

No	Part No	Part Name
1	GB77	Screw M6 x 10
2	GB879	Pin 4 x 30
3	GB6172	Nut M10
4	GB70	Screw M8 x 25
5	Z52-2	Adjustable fixing handle B-M8 x 63 x 32
6	GB70	Screw M4 x 10
7	GB93	Washer 4
8	GB818	Screw M5 x 35
9	GB4141.11	Knob M5 x 16
10	GB77	Screw M5 x 22
11	GB70	Screw M5 x 12
12	GB893	Collar 42
13		Linear bearing Z x 203242
14	GB893	Collar 32
15	GB278	Bearing 60104
16	GB70	Screw M6 x 16
17	GB70	Screw M6 x 10
18	GB77	Screw M5 x 12
19	GB70	Screw M4 x 10
20	GB879	Pin 3 x 10
21	GB70	Screw M6 x 16

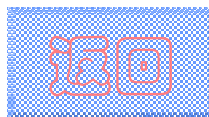
No	Part No	Part Name
22	SF-1	Sliding bearing 0812
23	GB894	Collar 8
24	GB77	Screw M5 x 5
25	GB70	Screw M5 x 12
26	GB70	Screw M6 x 20
27	GB893	Collar 22
28	GB278	Bearing 60018
29	GB70	Screw M8 x 40
30	GB827	Rivet 2 x 3
31	GB819	Screw M6 x 12
32	GB70	Screw M5 x 12
33	GB4141.11	Knob M5 x 16
34	GB77	Screw M5 x 12
35	GB818	Screw M3 x 12
36	GB97	Collar 3
37	GB70	Screw M4 x 12
38	GB70	Screw M4 x 6
39	GB818	Screw M5 x 10
40	GB893.1	Collar 35
41	GB278	Bearing 80103
42	GB892	Collar B22



BBY40/5B-7-00

No	Part No	Part Name	
43	GB70	Screw	M5 x 12
44	GB1096	Key	5 x 14
45	GB70	Screw	M5 x 16
46	GB70	Screw	M4 x 16
47	GB93	Washer	4
48	GB893.1	Collar	26
49	GB278	Bearing	60100
50	GB70	Screw	M5 x 30
51	GB70	Screw	M5 x 8
52	GB93	Washer	5
53	GB819	Screw	M5 x 10
54	GB78	Screw	M6 x 6
55	GB70	Screw	M6 x 16
56	GB70	Screw	M5 x 20
57	GB77	Screw	M8 x 6
58	GB70	Screw	M8 x 40
59	GB70	Screw	M4 x 10
60	GB93	Washer	4
61	GB6172	Nut	M5
62	GB70	Screw	M5 x 16
63	GB68	Screw	M3 x 5

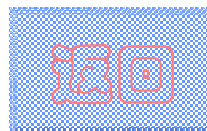
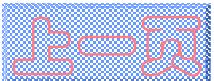
No	Part No	Part Name	
63	GB68	Screw	M3 x 5
64	GB819	Screw	M3 x 16
65	GB97.1	Washer	6
66	Z52-2	Adjustable fixing handle	B-M6 x 50 x 16
67	GB70	Screw	M6 x 16
68	GB879	Pin	5 x 14
69	GB97.1	Washer	6
70	GB70	Screw	M6 x 12
71	GB9877.2	Oil seal	W ϕ 20 x ϕ 35 x 7
72	GB70	Screw	M5 x 12
		LeTai glue	242



BBY40/5B-8-00

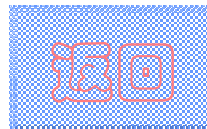
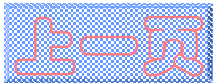
Part No	Part Name
BBY40/5B-8-1	Bracket
BBY40/5B-8-2/00	Adjusting screw rod
BBY40/5B-8-3	Left nipping table
BBY40/5B-8-4	Square bar
BBY40/5B-8-5	Left covering guide
BBY40/5B-8-6	Left nipping plate
BBY40/5B-8-7	Bracket
BBY40/5B-8-8	Right nipping plate
BBY40/5B-8-9	Right covering guide
BBY40/5B-8-10	Right nipping table
BBY40/5B-8-11	Side nip cam
BBY40/5B-8-12	Spine nip cam
BBY40/5B-8-13	shaft/cam
BBY40/5B-8-14	
BBY40/5A-8-1	Bearing frame
BBY40/5A-8-5	Collar
BBY40/5A-8-6	Collar
BBY40/5A-8-8	Connecting support
BBY40/5A-8-9	Dovetail plate
BBY40/5A-8-10	Dovetail groove
BBY40/5A-8-14	Guide rail

Part No	Part Name
BBY40/5A-8-18	Stop block
BBY40/5A-8-19	Stop block
BBY40/5A-8-20	Pad
BBY40/5A-8-21	Stop block
BBY40/5A-8-23/00	Spring cartridge
BBY40/5A-8-24	Threaded cover
BBY40/5A-8-25/00	Screw
BBY40/5A-8-26	Connecting shaft
BBY40/5A-8-28	Small shaft
BBY40/5A-8-29	Left slide block
BBY40/5A-8-30/00	Handle
BBY40/5A-8-32	Slide rod
BBY40/5A-8-33	Small dovetail block
BBY40/5A-8-34	Right slide block
BBY40/5A-7-26	Scale ruler
BBY40/5-10-12	Shaft
BBY40/5-10-13	Ring
BBY40/5-10-14	Small shaft
BBY40/5-10-15	Shaft sleeve
BBY40/5-10-18	Spring
BBY40/5-10-22	Small shaft



BBY40/5B-8-00

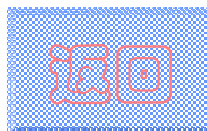
Part No	Part Name
BBY40/5-10-23	Collar
BBY40/5-10-24	Small shaft
BBY40/5-10-25	Collar
BBY40/5-10-35	Bearing plate
BBY40/5-10-40	Collar
BBY40/5-10-41	T-shape nut
BBY40/5-10-51	Copper bushing
BBY40/5-10-52	Left scale ruler
BBY40/5-10-54	Seal ring
BBY40/5-10-58	Left scale ruler
BBY40/5-10-59	Right scale ruler
BBY40/5-10.2-00	Rocking lever
BBY40/5-9.1-3	Tension spring



BBY40/5B-8-00

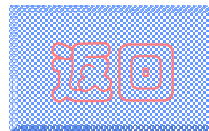
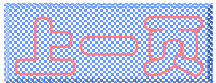
No	Part No	Part Name	
1	GB893.1	Collar	52
2	GB279	Bearing	180505
3	GB1095	Key	8 x 7 x 50
4	GB278	Bearing	80105
5	GB70	Screw	M8 x 40
6	GB93	Washer	8
7	GB5783	Screw	M8 x 20
8	GB70	Screw	M8 x 80
9	GB93	Washer	8
10	GB77	Screw	M5 x 6
11	GB70	Screw	M6 x 16
12	GB93	Washer	6
13	GB278	Bearing	80204
14	GB4141.29	Star handle	BM12 x 50
15	GB879	Pin	3 x 28
16	GB41	Nut	M12
17	GB93	Washer	12
18	GB5783	Screw	M5 x 10
19	GB95	Washer	5
20	GB819	Screw	M6 x 16
21	GB70	Screw	M5 x 8

No	Part No	Part Name	
22	GB95	Washer	5
23	GB78	Screw	M6 x 8
24	GB879	Pin	4 x 20
25	GB77	Screw	M6 x 8
26	GB6170	Nut	M12
27	GB819	Screw	M6 x 16
28	GB70	Screw	M12 x 35
29	GB93	Washer	12
30	GB95	Washer	12
31	GB41	Nut	M8
32	GB5783	Screw	M8 x 40
33	GB1152	Oil cup	M6
34	GB278	Bearing	80102
35	GB1153	Oil cup 45	M6
36	GB894.1	Collar	12
37	GB879	Pin	2 x 12
38	GB1152	Oil cup	M10 x 1
39	GB78	Screw	M5 x 6
40	GB70	Screw	M6 x 20
41	GB70	Screw	M5 x 20
42	GB95	Washer	5



BBY40/5B-8-00

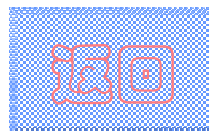
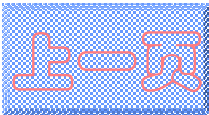
No	Part No	Part Name
43	GB70	Screw M10 x 35
44	GB93	Washer 10
45	GB77	Screw M10 x 8
46	GB78	Screw M5 x 8
47	GB70	Screw M5 x 10
48	GB95	Washer 5
49	GB70	Screw M6 x 20
50	GB70	Screw M5 x 12
51	GB95	Washer 5
52	GB894.1	Collar 25
53	GB819	Screw M4 x 6
54	GB70	Screw M5 x 16
55	GB93	Washer 5
56	GB70	Screw M10 x 35
57	GB70	Screw M10 x 70
		502 glue



BBY40/5B-9-00

Part No	Part Name
BBY40/5B-9.1-00	Frame
BBY40/5A-9.1-2	Blass block
BBY40/5A-9.1-3	Eccentric sleeve
BBY40/5A-9.1-5	Rocking lever
BBY40/5A-9.1-6	Tension spring
BBY40/5A-9.1-7	Rocking lever
BBY40/5A-9.1-8	Tension spring
BBY40/5A-9.1-9	Right side frame
BBY40/5A-9.1-10	Compression spring
BBY40/5A-9.1-12	Blass block
BBY40/5A-9.1-13	Fixing block
BBY40/5A-9.1-15	Shaft sleeve
BBY40/5A-9.1-16	Right support
BBY40/5A-9.1-17	Shaft
BBY40/5A-9.1-18	Small roller
BBY40/5A-9.1-19	Left support
BBY40/5A-9.1-20	Seat
BBY40/5A-9.1-23	Sleeve
BBY40/5A-9.1-24	Sleeve
BBY40/5A-9.1-25	Sleeve
BBY40/5A-9.1-26	Blot

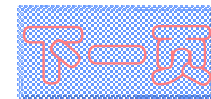
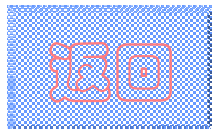
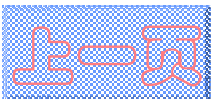
Part No	Part Name
BBY40/5A-9.1-29	Scale ruler
BBY40/5A-9.1-30	Adjusting knob
BBY40/5A-9.1-31	Dial disc
BBY40/5A-9.1-32	Dial disc seat
BBY40/5A-9.1-33	Adjusting seat
BBY40/5A-9.1-34	Fixed ring
BBY40/5A-9.1-35	Adjusting knob
BBY40/5A-9.1-36	Washer
BBY40/5A-9.1-37	Spacer sleeve
BBY40/5A-9.1-38	Bearing seat
BBY40/5A-9.1-39/00	Adjusting screw
BBY40/5A-9.1-40	Steel roller
BBY40/5A-9.1-41	Small scoring roller
BBY40/5A-9.1-43	Large scoring roller
BBY40/5A-9.1-44	Small scoring roller
BBY40/5A-9.1-45	Large scoring roller
BBY40/5A-9.1-47	Coupling
BBY40/5A-9.1-52	Shaft end collar
BBY40/5A-9.1-53	Gear
BBY40/5A-9.1-54	Small shaft
BBY40/5A-9.1-55	Gear



BBY40/5B-9-00

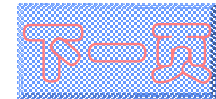
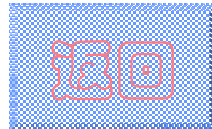
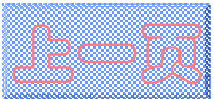
Part No	Part Name
BBY40/5A-9.1-56	Shaft end collar
BBY40/5A-9.1-57	Mounting frame
BBY40/5A-9.1-58/2	Ring
BBY40/5A-9.1-59	Clamp
BBY40/5A-9.1-60	Conneting lever
BBY40/5A-9.1-61	Sucker seat
BBY40/5A-9.1-62	Tension spring
BBY40/5A-9.1-63	Transport finger cam
BBY40/5A-9.1-65	Washer
BBY40/5A-9.1-66	Shaft end collar
BBY40/5A-9.1-67	Shaft sleeve
BBY40/5A-9.1-68	Gear
BBY40/5A-9.1-69	Conical gear
BBY40/5A-9.1-71	Conical gear
BBY40/5A-9.1-72	Washer
BBY40/5A-9.1-73	Sprocket
BBY40/5A-9.1-74	Washer
BBY40/5A-9.1-75	Sprocket
BBY40/5A-9.1-76	Conneting lever
BBY40/5A-9.1-78/2	Air suction pipe shaft
BBY40/5A-9.1-79	Eccentric sleeve
BBY40/5A-9.1-80	Fixed block
BBY40/5A-9.1-82	Fixed block
BBY40/5A-9.1-83	Front outer stop

BBY40/5A-9.1.2-00	Rubber roller
BBY40/5-9.1-1	Scoring cam
BBY40/5-9.1-20	Paper suction cam
BBY40/5-9.1-38	Screw
BBY40/5-9.1-49	Oilless bearing
BBY40/5-9.1-66	Suction head
DQB440B-3-19	Sucker
DQB440B-3-24	Sucker cap
BBY40/5B-9.2-00	Covering feeder table
BBY40/5B-9.2-1	Covering feeder table
BBY40/5B-9.2-2	Plate
BBY40/5B-9.2-3	scale ruler
BBY40/5A-9.2-2	Plate
BBY40/5A-9.2-4	Stop block
BBY40/5A-9.2-5	Fixed block
BBY40/5A-9.2-6	Hollow shaft
BBY40/5A-9.2-7	Scale rod
BBY40/5A-9.2-8	Stop block
BBY40/5A-9.2-9	Fixed base
BBY40/5A-9.2-11	Stop block
BBY40/5A-9.2-12	Stop block
BBY40/5A-9.2-13	Stop block
BBY40/5A-9-1	Washer



BBY40/5B-9-00

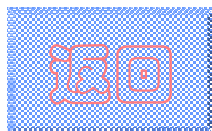
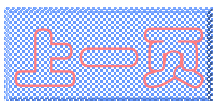
No	Part No	Part Name
1	GB70	Screw M6 x 20
2	GB97.1	Washer 6
3	GB93	Washer 6
4	Z52-2	Adjustable fixing handle
		B-M6 x 50 x 20



BBY40/5B-9.1-00

No	Part No	Part Name
1	Z52-2	Adjustable fixing handle B-M6 x 50 x 20
2	GB70	Screw M6 x 25
3	GB93	Washer 6
4	GB70	Screw M6 x 25
5	GB93	Washer 6
6	GB70	Screw M8 x 25
7	GB93	Washer 8
8	GB97.1	Washer 8
9	GB70	Screw M6 x 20
10	GB93	Washer 6
11	GB97.1	Washer 6
12		Quick connector CK-1/8-PK-6
13	GB77	Screw M10 x 16
14	SF-1	Sliding bearing 1815
15	GB70	Screw M6 x 16
16	GB93	Washer 6
17	GB6177	Nut M5
18	GB879	Pin 4 x 22
19	GB278	Bearing 60025
20	GB893.1	Collar 16
21	GB77	Screw M5 x 10

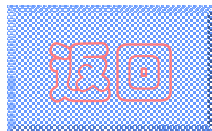
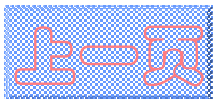
No	Part No	Part Name
22	GB278	Bearing 60100
23	GB894.1	Collar 10
24	GB70	Screw M8 x 25
25	GB97.1	Washer 8
26	GB6170	Nut M8
27	GB77	Screw M5 x 4
28	GB278	Bearing 60018
29	GB97.1	Washer 8
30	GB70	Screw M8 x 80
31	GB97.1	Washer 8
32	GB5783	Bolt M8 x 16
33	GB93	Washer 8
34	GB97.1	Washer 8
35	GB70	Screw M6 x 25
36	GB93	Washer 6
37	GB97.1	Washer 6
38	GB77	Screw M6 x 5
39	GB893.1	Collar 26
40	GB70	Screw M10 x 35
41	GB93	Washer 10
42	GB119	Pin B8 x 30



BBY40/5B-9.1-00

No	Part No	Part Name	
43	GB70	Screw	M6 x 30
44	GB93	Washer	6
45	GB827	Rivet	2 x 8
46	GB70	Screw	M6 x 60
47	GB93	Washer	6
48	GB77	Screw	M5 x 4
49	GB78	Screw	M6 x 6
50	GB70	Screw	M10 x 45
51	GB93	Washer	10
52	GB278	Bearing	60100
53	GB894.1	Collar	25
54	GB70	Screw	M8 x 35
55	GB93	Washer	8
56	GB97.1	Washer	8
57	GB894.1	Collar	25
58	GB278	Bearing	60105
59	GB78	Screw	M6 x 8
60	GB78	Screw	M6 x 8
61	GB77	Screw	M6 x 10
62	GB78	Screw	M6 x 8
63	GB878	Pin	6 x 20

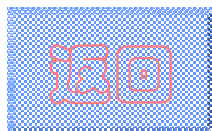
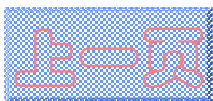
No	Part No	Part Name	
64	GB878	Pin	6 x 20
65	GB894.1	Collar	30
66	GB77	Screw	M8 x 10
67	GB278	Bearing	60203
68	GB893.1	Collar	40
69	GB77	Screw	M6 x 8
70	GB879	Pin	4 x 20
71	GB70	Screw	M8 x 20
72	GB93	Washer	8
73	GB10096	Key	C5 x 20
74	GB278	Bearing	60102
75	GB893.1	Collar	32
76	GB819	Screw	M6 x 12
77	GB77	Screw	M6 x 5
78	GB818	Screw	M4 x 12
79	GB93	Washer	4
80	GB97.1	Washer	4
81	GB70	Screw	M4 x 12
82	GB93	Washer	4
83	GB97.1	Washer	4
84	GB77	Screw	M8 x 14



BBY40/5B-9.1-00

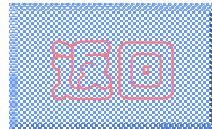
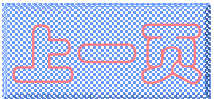
No	Part No	Part Name	
85	GB119	Pin	4 x 14
86	GB77	Screw	M8 x 6
87	GB70	Screw	M6 x 20
88	GB93	Washer	6
89	GB77	Screw	M8 x 8
90		Quick connector	CK-1/4-PK-6
91	GB278	Bearing	60018
92	GB70	Screw	M8 x 30
93	GB93	Washer	8
94	GB97.1	Washer	8
95	GB70	Screw	M6 x 30
96	GB6170	Nut	M6
97	GB70	Screw	M8 x 35
98	GB6170	Nut	M8
99	GB70	Screw	M8 x 20
100	GB93	Washer	8
101	GB1096	Key	C8 x 15
102	GB1096	Key	C8 x 40
103	GB278	Bearing	60105
104	GB893.1	Collar	47
105	GB77	Screw	M8 x 10

No	Part No	Part Name	
106	GB878	Pin	410
107	GB70	Screw	M10 x 25
108	GB93	Washer	10
109	GB97.1	Washer	10
110	GB278	Bearing	60105
111	GB893.1	Collar	47
112	GB894.1	Collar	25
113	GB77	Screw	M6 x 8
114	GB278	Bearing	60105
115	GB893.1	Collar	47
116	GB70	Screw	M12 x 35
117	GB93	Washer	12
118	GB70	Screw	M8 x 25
119	GB93	Washer	8
120	GB893.1	Collar	40
121	GB278	Bearing	60203
122	GB77	Screw	M10 x 14
123	GB1096	Key	C5 x 18
124		Quick connector	CK-1/8-PK-6
125	GB70	Screw	M4 x 35
126	GB93	Washer	4



BBY40/5B-9.1-00

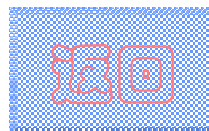
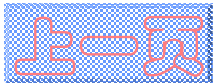
No	Part No	Part Name
127	GBMC-3-1/4-SA-23477	Two position-three way reversing valve
128	GB894.1	Collar 25
129	GB894.1	Collar 25
130	GB70	Screw M6 x 30
131	GB93	Washer 6
132	GB97.1	Washer 6
133	GB70	Screw M6 x 16
134	GB93	Washer 6
135	GB97.1	Washer 6
136	GB70	Screw M8 x 60
137	Z52-2	adjustable fixing handle B-M6 x 50 x 20



BBY40/5B-10-00

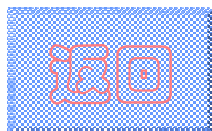
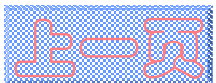
Part No	Part Name
BBY40/5B-10-1	Support
BBY40/5B-10-2	Bracing plate
BBY40/5B-10-3/00	Delivery housing
BBY40/5B-10-4/00	Sliding support
BBY40/5B-10-5	Fixed support
BBY40/5B-10-6/00	Bracing foot
BBY40/5B-10-7	Shaft
BBY40/5B-10-8	Shaft
BBY40/5B-10-9A	Long angle iron
BBY40/5B-10-9B	Long angle iron
BBY40/5B-10-10	Bracing lever
BBY40/5B-10-11	Hanger
BBY40/5B-10-12	Shaft
BBY40/5B-10-13	Sprocket
BBY40/5B-10-14	Shaft
BBY40/5B-10-15	Check lever
BBY40/5B-10-18/00	Conneting plate
BBY40/5B-10-19	Protecting house
BBY40/5B-10-20	Protecting house
BBY40/5B-10-21	Protecting house
BBY40/5-11-1/00	Arc holder support
BBY40/5-11-2/00	Sliding plate
BBY40/5-11-3	Hanger
BBY40/5-11-5	Delivery belt

Part No	Part Name
BBY40/5-11-7/00	Triangular check belt
BBY40/5-11-10	Drum
BBY40/5-11-14	Spacer ring
BBY40/5-11-15	Drum
BBY40/5-11-17	Spacer ring
BBY40/5-11-18	Conneting plate
BBY40/5-11-20	Spacer ring
BBY40/5-11-21	Drum
BBY40/5-11-24	Drum
BBY40/5-11-26	Bearing seat
BBY40/5-11-27	Drum support
BBY40/5-11-28	Spacer ring
BBY40/5-11-29	Collar



BBY40/5B-9.2-00

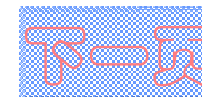
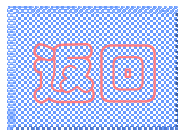
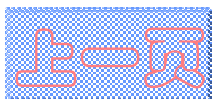
No	Part No	Part Name
1	GB77	Screw M8 x 8
2	Z52-2	Adjustable fixing handle B-M6 x 50 x 20
3	GB879	Pin 6 x 20
4		Quick connector CK-1/8-PK-6
5	GB77	Screw M10 x 8
6	GB819	Screw M5 x 10
7	GB818	Screw M4 x 12
8	GB93	Washer 4
9	GB6170	Nut M4
10	GB70	Screw M6 x 16
11	GB93	Washer 6
12	GB97.1	Washer 6
13	GB6170	Nut M6
14	GB119	Pin B6 x 26
15	Z52-2	Adjustable fixing handle B-M6 x 50 x 25
16	GB879	Pin 6 x 26
17	GB70	Screw M4 x 12
18	GB93	Washer 4
19	GB818	Screw M4 x 25
20	GB93	Washer 4



BBY40/5B-12-00

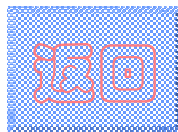
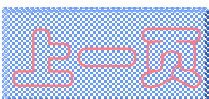
Part No	Part Name
BBY40/5B-12-1/00	Right front housing
BBY40/5B-12-2	Door
BBY40/5B-12-3/00	Upper cover of right front housing
BBY40/5B-12-4/00	Frame
BBY40/5B-12-5	Right housing
BBY40/5B-12-6/00	Frame
BBY40/5B-12-7	Right rear housing
BBY40/5B-12-8	Bottom bracing
BBY40/5B-12-9A	Mounting frame
BBY40/5B-12-10/00	Left rear housing
BBY40/5B-12-11	Front link plate
BBY40/5B-12-13	Bracing
BBY40/5B-12-14/00	Left rear housing
BBY40/5B-12-15/00	Bottom plate
BBY40/5B-12-16	Hinge
BBY40/5B-12-17/00	Left housing
BBY40/5B-12-18	Left upper window
BBY40/5B-12-19	Hige
BBY40/5B-12-20	Left middle window
BBY40/5B-12-23	Locating plate
BBY40/5B-12-24	Rear door

Part No	Part Name
BBY40/5B-12-25/00	Rear housing
BBY40/5B-12-26	Hinge
BBY40/5B-12-27	Rear window
BBY40/5B-12-28	Bracing 1
BBY40/5B-12-29	Left front cover
BBY40/5B-12-31	Cover plate
BBY40/5B-12-32/00	Upper cover
BBY40/5B-12-35	Cheek lever
BBY40/5B-12-36A	Indicating plate(Chinese)
BBY40/5B-12-36B	Indicating plate(English)
BBY40/5B-12-37/00	Support
BBY40/5B-12-38/00	Plate
BBY40/5B-12-39/00	Plate
BBY40/5B-12-40A	Mark
BBY40/5B-12-40B	Mark
BBY40/5B-12-41	Mark
BBY40/5A-12-5	Right upper window
BBY40/5A-12-6	Door
BBY40/5B-12-42	Washer
BBY40/5B-12-9B	



BBY40/5B-12-00

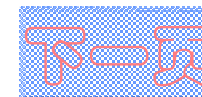
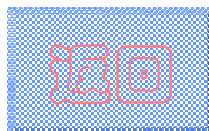
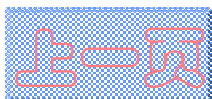
BBY40/5A-12-9	Left upper baffle plate
BBY40/5A-12-11	Pointer
BBY40/5A-12-12	Right upper baffle plate
BBY40/5A-12-14/00	Baffle plate
BBY40/5A-12-15	Left rear baffle plate
BBY40/5A-12-20	Air vent window
BBY40/5A-12-24	Left rear baffle plate
BBY40/5A-12-28	Indicating plate
BBY40/5A-12-29	Indicating plate
BBY40/5A-12-30	Pin shaft screw
BBY40/5A-12-31	Sleeve
BBY40/5A-12-32	Fixed plate
BBY40/5A-12-33	Bumping block
BBY40/5A-12-34/00	Mounting frame
BBY40/5A-12-35	Revolving shaft
BBY40/5A-12-36	Supporting plate
BBY40/5A-12-37/00	Mounting frame
BBY40/5A-12-38	Locating plate
BBY40/5A-12.2-6	Mounting plate
BBY40/5A-12.2-8	Electric appliance mounting plate
BBY40/5A-12.2-17	Supporting angle iron
BBY40/5A-D-4-4	Control box



BBY40/5B-10-00

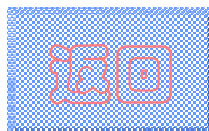
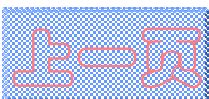
No	Part No	Part Name
1	Z52-2B	Adjustable fixing handle M6 x 50 x 16
2	GB70	Screw M10 x 16
3	GB819	Screw M18 x 16
4	GB77	Screw M18 x 16
5	GB70	Screw M8 x 20
6	GB97.1	Washer 8
7	GB93	Washer 8
8	GB1243.1	Chain P=9.525
9	GB70	Screw M6 x 30
10	GB97.1	Washer 6
11	GB6170	Nut M6
12	GB70	Screw M8 x 16
13	GB97.1	Washer 8
14	GB93	Washer 8
15		Adjustable motor 0.22kW/4P
16	Z52-2B	Adjustable fixing handle M6 x 50 x 16
17	Z52-2B	Adjustable fixing handle M8 x 63 x 32
18	GB97.1	Washer 8
19	GB77	Screw M8 x 10
20	GB70	Screw M10 x 40
21	Z52-2B	Adjustable fixing handle M8 x 63 x 32

No	Part No	Part Name
22	GB6170	Nut M12
23	GB77	Screw M8 x 12
24	GB70	Screw M10 x 50
25	GB278	Bearing 60200
26	GB893.1	Collar 30
27	GB77	Screw M10 x 25
28	GB70	Screw M12 x 30
29	GB97.1	Washer 12
30	GB893.1	Collar 42
31	GB278	Bearing 80104
32	GB77	Screw M8 x 12
33	GB1096	Key 6 x 20
34	GB77	Screw M6 x 10
35	GB894.1	Collar 20
36	GB97.1	Washer 8
37	GB93	Washer 8
38	GB70	Screw M8 x 20
39	GB1096	Key 6 x 25
40	GB70	Screw M5 x 16
41	GB93	Washer 5
42	GB892	Collar B22



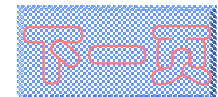
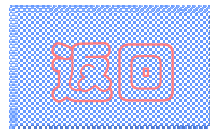
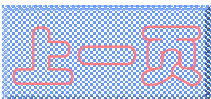
BBY40/5B-10-00

No	Part No	Part Name	
43	GB70	Screw	M6 x 10
44	GB893.1	Collar	42
45	GB278	Bearing	60104
46	GB70	Screw	M10 x 25
47	GB97.1	Washer	10
48	GB93	Washer	10
49	GB77	Screw	M8 x 10
50	GB70	Screw	M10 x 30
51	GB97.1	Washer	10
52	GB93	Washer	10
53	GB818	Screw	M5 x 6



BBY40/5B-13-00

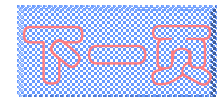
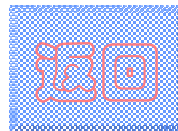
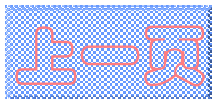
Part No	Part Name
BBY40/5B-13-1	Air pipe joint
BBY40/5B-13-2	Air pipe
BBY40/5B-13-3	Distributor
BBY40/5B-13-4	Air pipe
BBY40/5B-13-5	Air pipe joint
BBY40/5B-13-6	Air pipe
BBY40/5B-13-7	Air pipe
BBY40/5B-13-8	Air pipe
BBY40/5B-13-9	Air pipe
BBY40/5B-13-10	Air pipe
BBY40/5B-13-11	Air pipe
BBY40/5B-13-12	Air pipe joint
BBY40/5B-13-13	Air pipe joint
BBY40/5A-13-11	Distributor



BBY40/5B-12-00

No	Part No	Part Name	
1		Lock	CHP-406-F
2		Handle	
3	GB70	Screw	M6 x 10
4	GB96	Washer	6
5	GB93	Washer	6
6	GB818	Screw	M6 x 20
7	GB97.1	Washer	6
8	GB6170	Nut	M6
9	GB70	Screw	M6 x 16
10	GB96	Washer	6
11	GB93	Washer	6
12	GB70	Screw	M6 x 16
13	GB97.1	Washer	6
14	GB93	Washer	6
15	GB70	Screw	M6 x 16
16	GB96	Washer	6
17	GB93	Washer	6
18	GB818	Screw	M6 x 20
19	GB97.1	Washer	6
20	GB70	Screw	M6 x 10
21	GB96	Washer	6

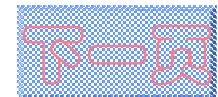
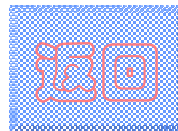
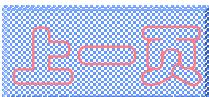
No	Part No	Part Name	
22	GB93	Washer	6
23	GB70	Screw	M8 x 12
24	GB818	Washer	8
25	GB93	Washer	8
26	GB818	Screw	M6 x 20
27	GB97.1	Washer	6
28	GB70	Screw	M6 x 16
29	GB96	Washer	6
30	GB93	Washer	6
31	GB70	Screw	M6 x 16
32	GB96	Washer	6
33	GB93	Washer	6
34	GB70	Screw	M6 x 12
35	GB96	Washer	6
36	GB6170	Nut	M6
37	GB70	Screw	M8 x 12
38	GB97.1	Washer	8
40	GB818	Screw	M6 x 12
41	GB97.1	Washer	6
42	GB70	Screw	M6 x 16
43	GB96	Washer	6



BBY40/5B-12-00

No	Part No	Part Name	
44	GB93	Washer	6
45	GB818	Screw	M6 x 16
46	GB96	Washer	6
47	GB6170	Nut	M6
48	GB818	Screw	M6 x 16
49	GB97.1	Washer	6
50	GB6170	Nut	M6
51	Z81-2	Adjustable fixing handle	152
52	GB818	Screw	M6 x 20
53	GB97.1	Washer	6
54	GB818	Screw	M6 x 16
55	GB93	Washer	6
56	GB6170	Nut	M6
59	GB70	Screw	M10 x 16
60	GB97.1	Washer	10
61	GB93	Washer	10
62	GB70	Screw	M6 x 16
63	GB96	Washer	6
64	GB93	Washer	6
65	GB70	Screw	M4 x 12
66	GB93	Washer	4

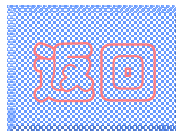
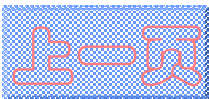
No	Part No	Part Name	
67	GB6170	Nut	M4
68	GB818	Screw	M6 x 16
69	GB97.1	Washer	6
70	GB6170	Nut	M6
71	GB70	Screw	M6 x 16
72	GB96	Washer	6
73	GB93	Washer	6
74	GB818	Screw	M6 x 16
75	GB96	Washer	6
76	GB818	Screw	M6 x 16
77	GB97.1	Washer	6
78	GB70	Screw	M6 x 16
79	GB97.1	Washer	6
80	GB93	Washer	6
81	GB70	Screw	M6 x 16
82	GB97.1	Washer	6
83	GB93	Washer	6
84	GB70	Screw	M6 x 16
85	GB96	Washer	6
86	GB93	Washer	6
87	GB70	Screw	M6 x 16



BBY40/5B-12-00

No	Part No	Part Name	
88	GB97.1	Washer	6
89	GB93	Washer	6
90	GB70	Screw	M6 x 16
91	GB96	Washer	6
92	GB93	Washer	6
93	GB70	Screw	M6 x 16
94	GB97.1	Washer	6
95	GB93	Washer	6
96	GB70	Screw	M8 x 16
97	GB96	Washer	8
98	GB93	Washer	8
99	GB70	Screw	M6 x 20
100	GB96	Washer	6
101	GB70	Screw	M6 x 20
102	GB93	Washer	6
103	GB818	Screw	M6 x 16
104	GB93	Washer	6
105	GB5782	Screw	M6 x 25
106	GB96	Washer	6
107	Z52-2	Adjustable fixing handle	B-M6 x 50 x 20
108	GB70	Screw	M8 x 12
109	Z52-2	Adjustable fixing handle	B-M8 x 63 x 25
110	SF-1	Sliding bearing	1008
111	GB70	Screw	M6 x 20
112	GB96	Washer	6

No	Part No	Part Name	
113	GB93	Washer	6
114	AA1752HB-AW	AC motor with metal gauze housing	
115	GB70	Screw	M6 x 16
116	GB93	Washer	6
117	GB70	Screw	M6 x 16
118	GB96	Washer	6
119	GB93	Washer	6
120	GB70	Screw	M6 x 16
121	GB96	Washer	6
122	GB93	Washer	6
123	GB70	Screw	M6 x 20
124	GB96	Washer	6
125	GB70	Screw	M6 x 20
126	GB96	Washer	6
		Press-sensitive sponge	3 x 1000 x 100
		Strong glue	
		Hinge	
		Hinge	
		Hinge	
127	GB70	Screw	M6 x 10
128	GB96	Washer	6
129	GB6170	Nut	M6
130	GB70	Screw	M5 x 40
131	GB97.1	Washer	5



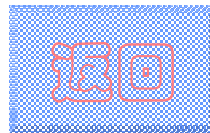
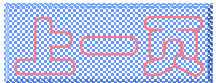
BBY40/5B-14-00

Part No	Part Name
BBY40/5B-14-1	Cover plate
BBY40/5B-14-2	Locating plate
BBY40/5B-14-3	Glue bucket
BBY40/5B-14-4	Sleeve
BBY40/5B-14-5	Heater plate
BBY40/5B-14-6	Spacer ring
BBY40/5B-14-7	Support plate
BBY40/5B-14-8	Air pipe joint
BBY40/5B-14-9	Flange
BBY40/5B-14-11/00	Stand shaft
BBY40/5B-14-12	Foot
BBY40/5B-14-13	End cover
BBY40/5B-14-15	Bar
BBY40/5B-14-16	Shaft
BBY40/5B-14-17	Terminal box
BBY40/5B-14-18	Heat-retaining ball valve
BBY40/5B-14-19	Cover plate
BBY40/5B-14-20	Cover plate
BBY40/5B-14-21	washer

Part No	Part Name
BBY40/5B-14-22	washer
BBY40/5B-14-23	heating clipper
BBY40/5B-14-24	house
BBY40/5B-14-25	screw bar
BBY40/5B-14-26	plate
BBY40/5B-14-27	copper bar
BBY40/5B-14-28	washer
BBY40/5B-14-29	triangle base
BBY40/5A-7-32	safe sign
BBY40/5A-7-60	Adjusting handwheel
BBY40/5B-7-2	Bolt
BBY40/5-5-12	Pin
BBY40/5-5-13	Cross block
BBY40/5-5-14	Shaft pin
BBY40/5-5-15	Bushing
BBY40/5-5-16	Universal joint single fork

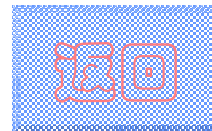
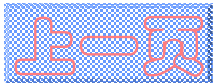
BBY40/5B-13-00

No	Part No	Part Name
1		Air pump KRX6-SS-VB-G1
2	JB1000-77	Screw plug M8 x 1.5
3	JB1002-77	Washer 18
4	GB70	Screw M6 x 16
5	GB93	Washer 6
6	QF-8	Ball valve 1/4"
7		Male screw joing CK-1/4-PK-6
8		Adjustable plastic cooling pipe 1/4"L=400 d=4.5
9	GB70	Screw M6 x 16
10	GB93	Washer 6
11	GB3289.4-82	Reducing bend 1" x 3/4"
12		Female union 3/4"
13	No.1	Hose clamp
14	GB70	Screw M8 x 16
15	GB93	Washer 8
16	GB97.1	Washer 8
17	NO.1A	Hose clamp



Wear part list

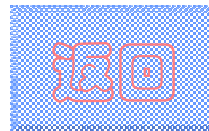
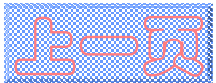
Part No	Part Name
BBY40/5B-9.1-19/00	Transport finger
BBY40/5A-4-5/00	Milling cutter
BBY40/5A-7-57/00	Rubber roller
BBY40/5A-9.1-5	Rocking lever
BBY40/5A-9.1-7	Rocking lever
BBY40/5A-9.1-16	Right support
BBY40/5A-9.1-17	Shaft
BBY40/5A-9.1-19	Left support
BBY40/5A-9.1-41	Small scoring roller
BBY40/5A-9.1-43	Large scoring roller
BBY40/5A-9.1-44	Small scoring roller
BBY40/5A-9.1-45	Large scoring roller
BBY40/5A-9.1-60	Connecting lever
BBY40/5A-9.1-83	Front outer stop
BBY40/5A-9.1-84	Front inner stop
BBY40/5A-9.1.1-00	Bubber roller
BBY40/5-4-3/00	Roughening knife
BBY40/5-10.2-00	Rocking lever



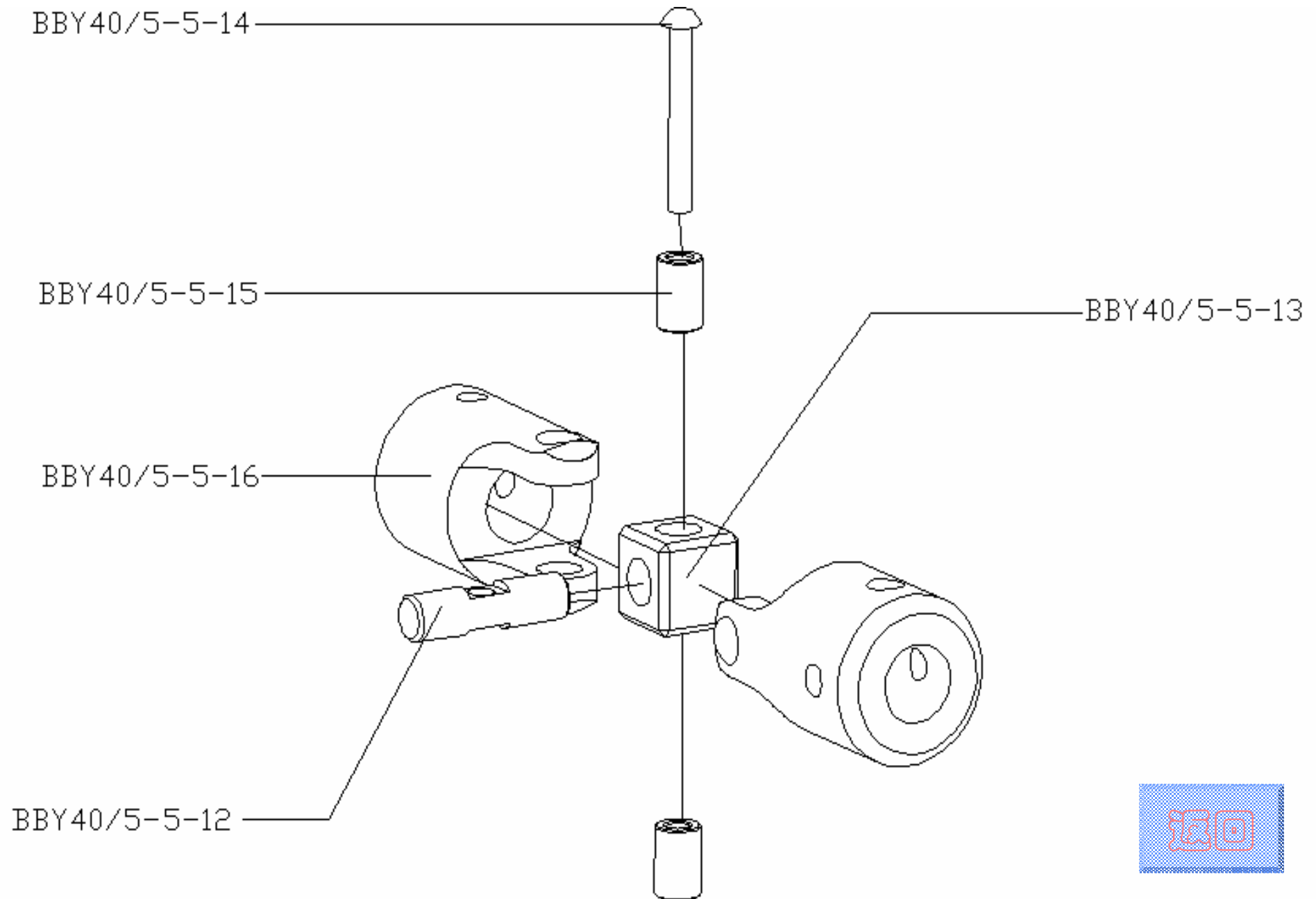
BBY40/5B-14-00

No	Part No	Part Name	
1	GB4141.13	Handle sleeve	M6 x 20
2	GB70	Screw	M6 x 12
3	GB70	Screw	M5 x 10
4	GB95	Washer	5
5		Glassfibre board	1185 x 272 x 20
6	GB70	Screw	M6 x 10
7	GB95	Washer	6
8	GB70	Screw	M8 x 60
9	GB848	Washer	8
10		Coal gas ball valve	3/4"
11	GB70	Screw	M8 x 35
12	GB93	Washer	8
13	GB70	Screw	M8 x 25
14	GB848	Washer	8
15	GB879	Pin	4 x 30
16	GB6172	Nut	M10
17	GB77	Screw	M10 x 20
19	GB77	Screw	M10 x 20
20	GB4141.8	Ball head handle	B8 x 50
21	GB4141.19	Knob	M5
22	GB117	Pin	3 x 20

No	Part No	Part Name	
23	GB77	Screw	M6 x 8
24	GB119	Pin	4 x 20
25	GB73	Screw	M5 x 5
26	GB818	Screw	M5 x 10
27	GB6170		
28			
29	GB6170		
30	GB95		
31	GB819		
32	GB70		
33	GB818		
34	GB818		
35	GB6170		

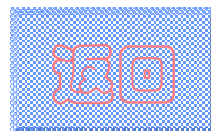
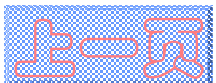


BBY40/5B-14-00 预热桶 PART E



BBY40/5-12-00

Part No	Part Name
BBY40/5-12-1	bar
BBY40/5-12-2	dust bag
BBY40/5-12-3/00	barrel
BBY40/5-12-4/00	base
BBY40/5-12-5	dust bag
BBY40/5-12-6	pole
BBY40/5-12-7/00	U-ring
BBY40/5-12.1-00	O-ring



BBY40/5-12-00

No	Part No	Part Name
1	GB97.1	washer
2	GB93	washer
3	GB6170	nut
4		plastic tube
5		hoop
6	GB70	screw
7	GB97.1	washer
8	GB93	washer
9	GB6170	nut
10	GB70	screw
11	GB97.1	washer
12	GB93	washer
13	GB6170	nut
14	GB70	screw
15	GB97.1	washer
16	GB93	washer

